

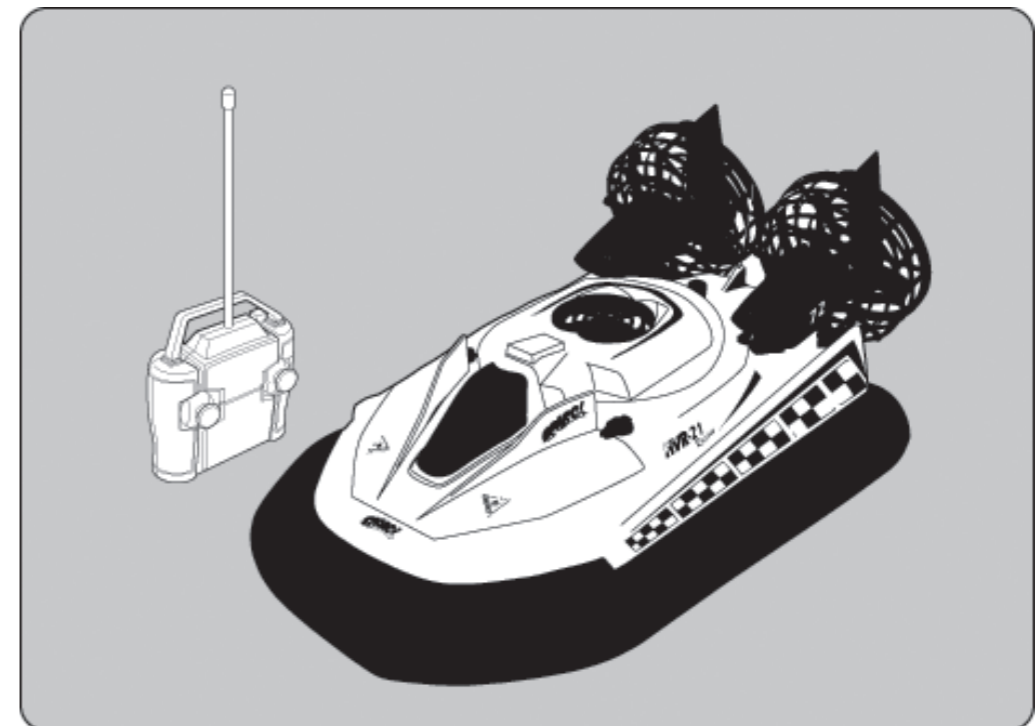
**SPARCI!**<sup>TM</sup>



**CHOKING HAZARD**  
Small parts.  
Not for children  
under 3 years.

# WILD STREAK

**RADIO CONTROL  
HOVERCRAFT**



## **OWNER'S MANUAL**

Important! Please read your Owner's Manual all the way through before operating your vehicle. Contains important information—keep for future reference.

**SPARCI!**<sup>TM</sup>

[www.sparctoys.com](http://www.sparctoys.com)  
[www.horizonhobby.com](http://www.horizonhobby.com)  
SPARCI!<sup>TM</sup> is distributed exclusively  
by Horizon Hobby, Inc.

4105 Fieldstone Road  
Champaign, IL 61822  
©2007

# Precautions

## Safety

- Adult supervision is strongly recommended, and use extra caution when playing near water or ice.
- Operate your vehicle in a safe area away from people, pets, cars, etc. Do not operate on streets or after dark.
- Do not touch or try to pick up the vehicle when it is in motion. Wait until it stops completely.
- Keep hair, fingers, face and loose clothing away from top and rear propellers while the vehicle is switched on or while the transmitter is operating.
- Never block rotation of top lift fan or allow any object to go through the top, bottom or rear grilles.
- Do not drive hovercraft into walls or other hard objects.

UNIQUE OPERATIONAL CHARACTERISTICS OF HOVERCRAFT	
<ul style="list-style-type: none"> <li>• No wheels</li> <li>• Runs on hard floors, dirt, pavement, ice and snow</li> </ul>	<ul style="list-style-type: none"> <li>• Rides on cushion of air created by lift fan blowing downward and into air bag "skirt"</li> <li>• Needs flat, smooth, clean surface so skirt can "seal" with ground for best results</li> <li>• Not for use on rough or broken pavement, ground, carpet, rocks, pebbles, grass, decking, hills, inclines or any surface that "let's the air out" or damages skirt</li> </ul>
<ul style="list-style-type: none"> <li>• For over-water operation, run only on fresh water (pool, pond or lake not salt/sea/ ocean water)</li> </ul>	<ul style="list-style-type: none"> <li>• Pilot must keep craft within radio life-range on water to ensure retrieval</li> <li>• Not a boat; needs lift fan on with full power and air bag skirt inflated to float properly</li> </ul>
<ul style="list-style-type: none"> <li>• High-power, triple motor design</li> <li>• Real rubber air bag skirt</li> </ul>	<ul style="list-style-type: none"> <li>• Battery life 7–13 minutes between charges, depending on conditions</li> <li>• Skirt is durable but can be punctured by sharp rocks and sticks</li> </ul>

## Batteries and Charger

Included: 9.6V rechargeable battery pack, battery charger for Ni-Cd battery packs and one 9V battery for the transmitter.

## Battery Cautions

### CAUTION: TO AVOID BATTERY LEAKAGE OF 9V OR 9.6V Ni-Cd RECHARGEABLE BATTERIES

1. Make sure the batteries are inserted correctly, and follow the toy and battery manufacturer's instructions.
2. Make sure battery polarity (direction) is correct.
3. Use only recommended battery type(s).
4. Remove rechargeable batteries from the product before charging. Recharge batteries only under adult supervision, and follow the battery and charger manufacturer's instructions.

## Other Battery Cautions

1. Remove battery from vehicle after use. Battery may be hot.
2. Never pull the battery pack out of the vehicle by pulling the wire or the battery. Always unplug the battery by pulling the connector.
3. Remove batteries from the product for storage.
4. Do not recharge non-rechargeable batteries.
5. Do not short-circuit battery terminals.
6. Dispose of batteries safely and properly, according to your local requirements.

**NOTE: Ni-Cd BATTERIES MUST BE RECYCLED OR DISPOSED OF PROPERLY.**

## ADDITIONAL IMPORTANT BATTERY SAFETY INFORMATION

- Not intended for children under 8 years old.
- Regularly examine charger and battery pack for damage, including plugs, casings and all other parts. If damaged, do not use.
- Make sure the batteries are inserted with correct polarity, and follow the toy and battery manufacturer's instructions.
- Remove weak or exhausted batteries from the product.
- Choking Hazard. This product contains small parts. Keep out of the reach of children under 3 years old.
- Battery replacement should be done only in the presence of an adult.
- Only batteries of the same or equivalent type, as recommended in the "Battery Installation" (or replacement) instructions, are to be used.
- Non-rechargeable batteries are not to be used in the hovercraft.
- Rechargeable batteries are to be removed from the product before they are charged and are only to be charged under adult supervision.
- If you use a battery charger, it should be examined regularly for damage to the cord, plug, enclosure and other parts. Do not use a damaged battery charger until it has been properly repaired.

**THIS PRODUCT USES A Ni-Cd BATTERY. MUST BE RECYCLED OR DISPOSED OF PROPERLY.**

Ni-Cd Contact your local area office of solid waste management or other appropriate local agency for information.

## Battery Charging and Care

Vehicle will not run without a 9.6V rechargeable Ni-Cd battery pack and matching charger. Always follow the instructions that come with your battery pack and charger. Adult supervision of battery charging is required.

**Warning: The transformer/charger is not a toy. Toy must only be used with recommended transformer/charger. Battery toys intended to be used in water shall state that it is operated in water only when fully assembled in accordance with the instructions.**

## Running and Charging Times

1. Ni-Cd battery packs are not like alkaline batteries. They lose all their power suddenly, not gradually, and the vehicle will stop very soon after slowing down, with little warning. This is normal, but keep this in mind, especially when operating on water since you need to get the vehicle back before the battery power runs out.
2. Running time will be about 7 to 8 minutes for a freshly charged Ni-Cd battery pack in good condition.

## BATTERY CHARGING INSTRUCTIONS

### Drain Down–Cool Down–Charge Up

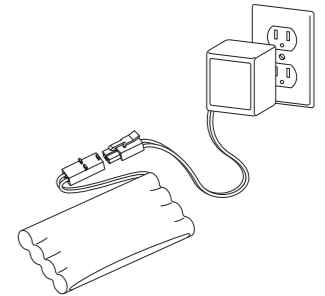
1. After the first charge, for best performance, always run the battery pack all the way down before recharging. Run until vehicle slows to a stop. Failure to completely drain down the battery could shorten the battery life.

Note: If you are operating the vehicle on water, retrieve the vehicle while battery power is still strong and perform this Drain Down procedure on land. (Do not operate with other kinds of vehicles or near water.)

2. Allow the battery pack to cool before recharging.

## Battery Heat

1. The battery gets hot after use. This is normal, but be careful. Wait until battery is cool (20 minutes or more if needed) before charging. Charging batteries while they are hot will severely reduce the number of times they can be recharged.
2. After charging, the battery pack will be warm. This is normal.



## CHARGING INSTRUCTIONS

### (Adult Supervision Required)

1. Plug wall pack charger into a standard wall outlet.
2. Connect the battery pack plug to the charger plug as shown in Section II.
3. Red light on charger will light up to show charger is operating. Normal charging time is approximately 5 hours.
4. Unplug charger from wall after 5 hours of charging.
5. After charging, the battery pack will feel warm. This is normal.
6. If at any time during charging the battery pack becomes hot, discontinue the process immediately.
7. Never leave charger and battery unattended during the charging process.

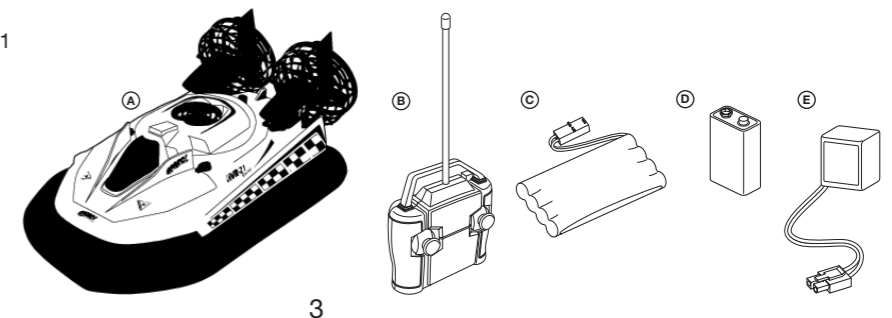
## Rechargeable Battery Tips

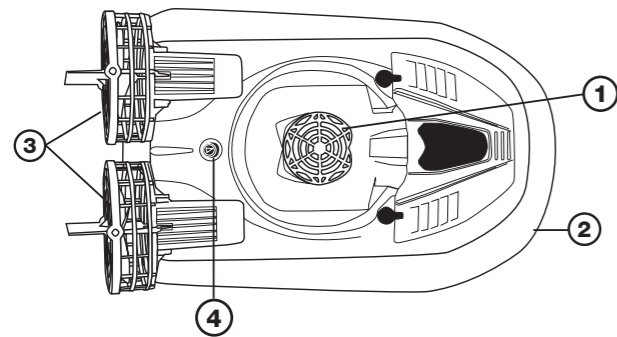
1. Do not overcharge the battery pack. Unplug the charger from the wall at the end of the recommended charging time (Approximately 5 hours).
2. Store your battery pack discharged.
3. Your battery pack will hold a charge during storage for a shorter time in hot weather. Otherwise, you can charge a battery a day or so in advance of your use.
4. Always run your hovercraft with a fully charged battery pack. It is better to always use a fully charged battery pack, than to operate with a partial battery charge.
5. When the run time from this battery pack becomes shorter and shorter, it is most likely time to replace the battery pack.

## I. CONTENTS & FEATURES

This kit includes:

- A. Hovercraft x 1
- B. Transmitter x 1
- C. 9.6V Ni-Cd battery pack x 1
- D. 9V battery x 1
- E. Battery charger x 1

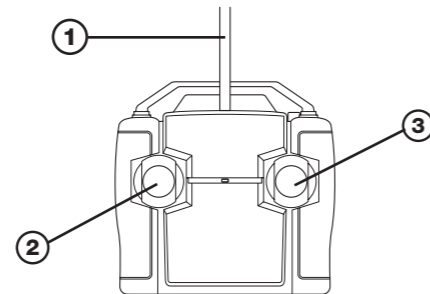




**1 Hovercraft**

(Top View)

- ① Lift Fan
- ② Air Bag Skirt
- ③ Drive Propellers
- ④ On/Off Switch



**2 Transmitter**

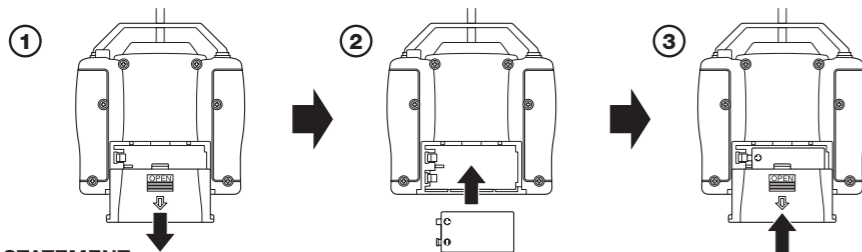
- ① Transmitter Antenna
- ② Control Stick for Left Side Propeller
- ③ Control Stick for Right Side Propeller

There is no On/Off switch on the transmitter. Moving the sticks turns it on automatically, so keep hair, fingers, clothing, etc. away from all movable parts.

**II. BATTERY INSTALLATION**

**1 Transmitter**

- ① Slide open the battery door in the direction as shown in the figure, while lightly pressing its center.
- ② Insert a 9V battery with the polarity (+/-) as shown on the bottom of the battery compartment.
- ③ Replace battery door.



**FCC STATEMENT**

This device complies with part 15 of the FCC Rules. Operation is subject to the following two conditions:

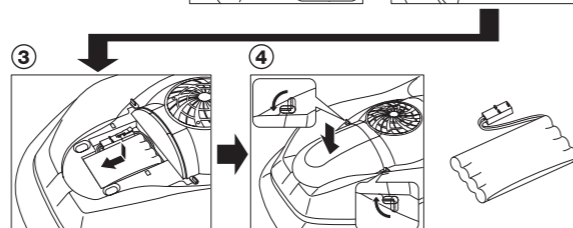
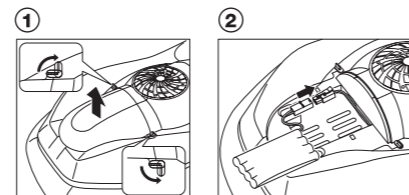
- This device may not cause harmful interference
- This device must accept any interference received, including interference that may cause undesired operation.

Changes or modifications to this unit not expressly approved by the party responsible for compliance could void the user's authority to operate the equipment.

**2 Hovercraft**

**This product should be used with adult supervision. Fully charge 9.6V battery pack before operating.**

- ① Turn the latches located at the rear of canopy to unlock, slide canopy forward and remove.
- ② Connect 9.6V battery pack connector with the vehicle connector.  
(Make sure the orientation of the connectors is correct.)
- ③ Insert 9.6V battery pack into battery compartment.
- ④ Replace the canopy. Turn the latches to lock.



**CAUTION:** Use only the battery pack supplied with this toy. Do not use any other power source.

Turn vehicle power on.

**III. THROTTLE CONTROLS**

The transmitter controls the operation of the hovercraft.

**1 FORWARD**

Push both sticks forward.

**2 REVERSE THRUST**

Pull both sticks back.

**3 LEFT TURN (FORWARD)**

Push right stick forward.

**ROTATE CLOCKWISE (BACK THRUST)**

Pull right stick back.

**4 RIGHT TURN (FORWARD)**

Push left stick forward.

**ROTATE COUNTERCLOCKWISE (BACK THRUST)**

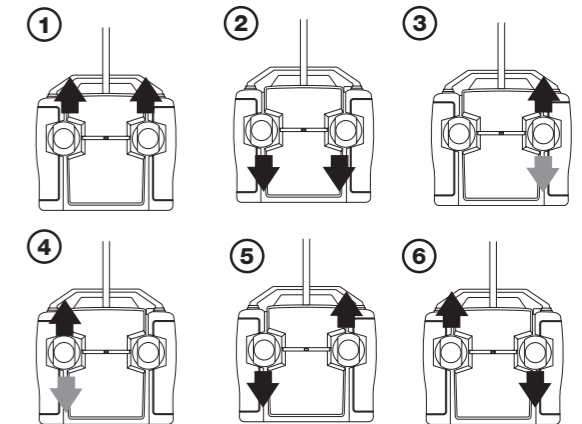
Pull left stick back.

**5 LEFT SPIN**

At the same time, pull left stick back and push right stick forward.

**6 RIGHT SPIN**

At the same time, pull right stick back and push left stick forward.



**IV. OPERATING ON WATER**

Fresh water only—not sea or salt water.

**CAUTION: ADULT SUPERVISION IS STRONGLY RECOMMENDED WHEN OPERATING ON OR NEAR WATER OR ICE**  
Important: Time the use of the vehicle on water so you can recover it before the battery runs out. Run for only 5 minutes each launch with a freshly charged battery, to be sure.

**Launching**

- 1. Turn vehicle power on. Make sure lift fan comes on.
- 2. Hold vehicle above lift fan. Make sure lift is at full speed and air bag skirt is fully inflated. Carefully place vehicle on water.  
**Important: Lift fan must be operating for vehicle to operate properly. Air bag skirt may fill with water if lift fan is not running.**
- 3. After running on water, remove battery door and battery pack, hold vehicle on sides and shake out excess water. Dry vehicle after use with clean soft cloth.

**V. OPERATIONAL WARNINGS**

- ① Keep your fingers and other objects away from the lift fans and propellers.
- ② Do not operate your vehicle on streets or in a crowded place. When operating on inclines or in a place exposed to strong wind, use extra caution as the vehicle may be hard to control.
- ③ This vehicle is not waterproof. Immersing it into water may lead to a malfunction.
- ④ Adult supervision is strongly recommended when playing near water. Do not operate your vehicle on the sea or on wavy water surfaces, or where a rapid current flows. Stay away from where waves rise due to a strong wind. Also, avoid operating on a dirty water surface or where vegetation grows, otherwise a malfunction may occur, or the hovercraft may get stuck on the plants. If you are operating the vehicle on water, retrieve the vehicle while battery power is still strong, since you need to get the vehicle back to shore before the battery power runs out. NEVER swim to retrieve your hovercraft.
- ⑤ This vehicle may not run on a surface with high friction resistance, such as sand, grass, or carpet.
- ⑥ Do not store your hovercraft near a heater or in any place where the temperature rises. After use, remove the transmitter battery and the main battery, then store the vehicle.

**BATTERY SAFETY INFORMATION**

Batteries may leak fluids that can cause a chemical burn injury or ruin your vehicle. To avoid battery leakage:

- Insert batteries as indicated inside the battery compartment.
- Remove batteries during long periods of non-use. Always remove exhausted batteries from the vehicle.
- Dispose of batteries safely.
- Do not dispose of the batteries in a fire. They may explode or leak.
- Never short-circuit the battery terminals.
- Use only batteries of the same or equivalent type, as recommended.
- Do not charge non-rechargeable batteries.
- If rechargeable batteries are used in the hovercraft and/or transmitter, they are only to be charged under adult supervision.

## IMPORTANT INFORMATION

- DO NOT RECHARGE THE BATTERY IF IT FEELS HOT. ALLOW IT TO COOL BEFORE CHARGING.
- DO NOT ATTEMPT TO USE OR CHARGE THE BATTERY IF IT SHOWS SIGNS OF LEAKAGE OR CORROSION.
- DO NOT DISASSEMBLE THE Ni-Cd BATTERY.
- IF THE HOVERCRAFT, BATTERY OR TRANSMITTER ARE WET, THOROUGHLY DRY BEFORE USING OR CHARGING.
- REGULARLY EXAMINE ALL WIRES AND CONNECTORS. IN THE EVENT OF DAMAGE, DO NOT USE.

### Important:

- If driving time becomes shorter or propellers do not turn with full power, the capacity of the 9V battery or 9.6V battery pack is insufficient. The power LED light becomes dimmer as batteries wear. This is the telltale sign you need to replace the 9V battery or recharge the 9.6V battery pack.
- Be sure to recharge the hovercraft just before operating it.
- When the battery temperature gets too high, the circuit shuts off automatically to protect the receiver circuit and the battery in the hovercraft. In such a case, wait until the battery cools down before recharging or playing with the hovercraft.
- If the rechargeable battery is repeatedly charged without being sufficiently discharged first, the capacity will gradually decrease (memory effect of battery). This is a characteristic of rechargeable Ni-Cd batteries.

## VI. SAFETY INFORMATION

**Adults: This toy is recommended for children 14 years of age and older. To ensure that the child's play is both safe and fun, please review the operating instructions and these general safety rules with the child.**

- Keep fingers, hair and loose clothing away from the propellers while the hovercraft is switched ON.
- Adult supervision is recommended when the hovercraft is being operated.
- To avoid accidental operation, the removable battery should be taken out of the hovercraft for storage.
- If the hovercraft and/or transmitter get wet, discontinue use until they are completely dry. Thoroughly wipe off all moisture and allow them to air-dry completely before using again.
- DO NOT operate in the street! Make sure you have plenty of open space in all directions (please see Section V).
- Regularly inspect the antenna for cracks or breaks. Do NOT bend the transmitter antenna. DO NOT use the transmitter if the antenna is broken.
- The wire antenna on the hovercraft is fragile. Never pull or tug on the antenna, as it may loosen or detach from the vehicle. Never coil or knot the antenna.



- The WEEE symbol, if present, indicates that this item contains electrical or electronic components which must be collected and disposed of properly in respective countries.

## VII. HOVERCRAFT TIPS

1. Hovercraft is not designed to go up hills or inclines.
2. Water should be calm, without waves, turbulence or strong currents. Do not operate in rivers or streams.
3. Do not operate vehicle in salt water. Salt will corrode metal parts and void warranty.

### Air Bag Skirt Care

1. Edge of air bag skirt must seal with lower edge of body for proper operation. If skirt becomes loose, push the edge of the skirt back into the slot on the body. Use a small coin if necessary.
2. Small holes and tears in skirt may be repaired by an adult using a type of "Super Glue" or "CA Glue." Use a small amount and follow glue maker's instructions.

### R/C Facts for Improved Operation

1. When the battery starts to fully discharge, vehicle may slow, stop, or refuse to respond to your control. It's time to recharge vehicle battery or replace transmitter battery. This is absolutely the number one cause of all problems and questions.
2. Radio frequency interference can hinder the control of your vehicle. Buildings, power wires, other R/C transmitters, or CB radios can all cause problems. Pick a place to drive that's away from these things.
3. Hold transmitter so antenna points up, not toward the vehicle. Keep vehicle within range (about 65 feet) to keep control. If vehicle goes out of range, try lifting transmitter high into air to increase range for vehicle recovery.
4. Wipe vehicle clean and dry after each use, including inside of battery compartment.
5. Turn vehicle power switch off immediately after running. Remove batteries for storing. Keep vehicle and transmitter away from heat and direct sunlight and moisture.

## TROUBLESHOOTING GUIDE

Problem	Probable Cause	Correction
Vehicle runs slowly, won't move, or won't steer	<ul style="list-style-type: none"><li>• Batteries are dead or low</li><li>• Batteries installed incorrectly</li><li>• Loose battery connection</li><li>• Power switch is off</li></ul>	<ul style="list-style-type: none"><li>• Remove and replace batteries, making sure battery direction is correct and battery compartment contacts are clean</li><li>• Recharge vehicle battery. Replace transmitter battery</li><li>• Turn on power switch</li></ul>
Erratic operation, loss of control, short range	<ul style="list-style-type: none"><li>• Radio interference</li><li>• Weak transmitter battery</li><li>• Weak vehicle battery</li></ul>	<ul style="list-style-type: none"><li>• Move to another location</li><li>• Point antenna up in the air, not at vehicle. Don't touch antenna</li><li>• Recharge 9.6V battery pack or replace 9V battery in transmitter</li></ul>
Vehicle stops working after going in water or snow	<ul style="list-style-type: none"><li>• Water in battery/ electronics/ motor areas</li></ul>	<ul style="list-style-type: none"><li>• Turn power knob off IMMEDIATELY, remove all batteries, dry inside and out with clean soft cloth and allow to dry overnight with battery door off.</li></ul>
Battery life is short	<ul style="list-style-type: none"><li>• Battery pack not charged fully</li><li>• Battery pack not charged when hot</li><li>• Battery pack faulty or worn out</li><li>• Battery pack old</li></ul>	<ul style="list-style-type: none"><li>• Recharge battery pack</li><li>• Always allow battery pack to cool before charging</li><li>• Replace battery pack</li></ul>

## WARRANTY

### Warranty Period

Exclusive Warranty- Horizon Hobby, Inc., (Horizon) warrants that the Products purchased (the "Product") will be free from defects in materials and workmanship at the date of purchase by the Purchaser.

### Limited Warranty

(a) This warranty is limited to the original Purchaser ("Purchaser") and is not transferable. REPAIR OR REPLACEMENT AS PROVIDED UNDER THIS WARRANTY IS THE EXCLUSIVE REMEDY OF THE PURCHASER. This warranty covers only those Products purchased from an authorized Horizon dealer. Third party transactions are not covered by this warranty. Proof of purchase is required for warranty claims. Further, Horizon reserves the right to change or modify this warranty without notice and disclaims all other warranties, express or implied.

(b) **Limitations** HORIZON MAKES NO WARRANTY OR REPRESENTATION, EXPRESS OR IMPLIED, ABOUT NON-INFRINGEMENT, MERCHANTABILITY OR FITNESS FOR A PARTICULAR PURPOSE OF THE PRODUCT. THE PURCHASER ACKNOWLEDGES THAT THEY ALONE HAVE DETERMINED THAT THE PRODUCT WILL SUITABLY MEET THE REQUIREMENTS OF THE PURCHASER'S INTENDED USE.

(c) **Purchaser Remedy** Horizon's sole obligation hereunder shall be that Horizon will, at its option, (i) repair or (ii) replace, any Product determined by Horizon to be defective. In the event of a defect, these are the Purchaser's exclusive remedies. Horizon reserves the right to inspect any and all equipment involved in a warranty claim. Repair or replacement decisions are at the sole discretion of Horizon. This warranty does not cover cosmetic damage or damage due to acts of God, accident, misuse, abuse, negligence, commercial use, or modification of or to any part of the Product. This warranty does not cover damage due to improper installation, operation, maintenance, or attempted repair by anyone other than Horizon. Return of any goods by Purchaser must be approved in writing by Horizon before shipment.

### Damage Limits

**HORIZON SHALL NOT BE LIABLE FOR SPECIAL, INDIRECT OR CONSEQUENTIAL DAMAGES, LOSS OF PROFITS OR PRODUCTION OR COMMERCIAL LOSS IN ANY WAY CONNECTED WITH THE PRODUCT, WHETHER SUCH CLAIM IS BASED IN CONTRACT, WARRANTY, NEGLIGENCE, OR STRICT LIABILITY.** Further, in no event shall the liability of Horizon exceed the individual price of the Product on which liability is asserted. As Horizon has no control over use, setup, final assembly, modification or misuse, no liability shall be assumed nor accepted for any resulting damage or injury. By the act of use, setup or assembly, the user accepts all resulting liability.

If you as the Purchaser or user are not prepared to accept the liability associated with the use of this Product, you are advised to return this Product immediately in new and unused condition to the place of purchase.

### Law

**These Terms are governed by Illinois law (without regard to conflict of law principals).**

### Safety Precautions

---

This is a sophisticated toy product and must be operated with caution and common sense and requires some basic mechanical ability. Failure to operate this Product in a safe and responsible manner could result in injury or damage to the Product or other property. This Product is not intended for use by children without direct adult supervision. The Product manual contains instructions for safety, operation and maintenance. It is essential to read and follow all the instructions and warnings in the manual, prior to assembly, setup or use, in order to operate correctly and avoid damage or injury.

### Questions, Assistance, and Repairs

---

Your local hobby store and/or place of purchase cannot provide warranty support or repair. Once assembly, setup or use of the Product has been started, you must contact Horizon directly. This will enable Horizon to better answer your questions and service you in the event that you may need any assistance. For questions or assistance, please direct your email to [productsupport@horizonhobby.com](mailto:productsupport@horizonhobby.com), or call 877.504.0233 toll free to speak to a service technician.

### Warranty Inspection and Repairs

---

To receive warranty service, you must include your original sales receipt verifying the proof-of-purchase date. Provided warranty conditions have been met, your Product will be repaired or replaced free of charge. Repair or replacement decisions are at the sole discretion of Horizon Hobby.

Pack the Product securely using a shipping carton. Please note that original boxes may be included, but are not designed to withstand the rigors of shipping without additional protection. Ship via a carrier that provides tracking and insurance for lost or damaged parcels, as Horizon is not responsible for merchandise until it arrives and is accepted at our facility. A Service Repair Request is available at [www.horizonhobby.com](http://www.horizonhobby.com) on the "Support" tab. If you do not have internet access, please include a letter with your complete name, street address, email address and phone number where you can be reached during business days, your RMA number, a list of the included items, method of payment for any non-warranty expenses and a brief summary of the problem. Your original sales receipt must also be included for warranty consideration. Be sure your name, address, and RMA number are clearly written on the outside of the shipping carton.

All other Products requiring warranty inspection or repair should be shipped to the following address:

Horizon Product Support  
4105 Fieldstone Road  
Champaign, Illinois 61822

Please call 877-504-0233 with any questions or concerns regarding this product or warranty.

REPLACEMENT PARTS		
SPJ4005	Tx Battery Cover: HVR-062, Wild Streak	3.99
SPJ4106	Battery Cover: Wild Streak	5.99
SPJ4007	9.6V Ni-Cd Battery Pack: HVR-062, Wild Streak	17.99
SPJ4008	9.6V AC Wall Charger: HVR-062, Wild Streak	14.99