



WWW.AXIALADVENTURE.COM

READY-TO-RUN

CAPRA™ 1.9 4WS

1/10TH SCALE ELECTRIC 4WD UNLIMITED TRAIL BUGGY



Scan the QR code and select the Manuals and Support quick links from the product page for the most up-to-date manual information.

Scannen Sie den QR-Code und wählen Sie auf der Produktseite die Quicklinks Handbücher und Unterstützung, um die aktuellsten Informationen zu Handbüchern.

Scannez le code QR et sélectionnez les liens rapides Manuals and Support sur la page du produit pour obtenir les informations les plus récentes sur le manuel.

Scannerizzare il codice QR e selezionare i Link veloci Manuali e Supporto dalla pagina del prodotto per le informazioni manuali più aggiornate.

RTR
READY-TO-RUN



AXI-1543

INSTRUCTION MANUAL
BEDIENUNGSANLEITUNG
MANUEL D'UTILISATION
MANUALE DI ISTRUZIONI

Before operating this vehicle, please read all printed materials thoroughly. Horizon Hobby is not responsible for inadvertent errors in this manual.

778763
Created 12/24

HORIZON
H O B B Y

NOTICE

All instructions, warranties and other collateral documents are subject to change at the sole discretion of Horizon Hobby, LLC. For up-to-date product literature, visit horizonhobby.com or towerhobbies.com and click on the support or resources tab for this product.

MEANING OF SPECIAL LANGUAGE

The following terms are used throughout the product literature to indicate various levels of potential harm when operating this product:

WARNING: Procedures, which if not properly followed, create the probability of property damage, collateral damage, and serious injury OR create a high probability of superficial injury.

CAUTION: Procedures, which if not properly followed, create the probability of physical property damage AND a possibility of serious injury.

NOTICE: Procedures, which if not properly followed, create a possibility of physical property damage AND a little or no possibility of injury.



WARNING: Read the ENTIRE instruction manual to become familiar with the features of the product before operating. Failure to operate the product correctly can result in damage to the product, personal property and cause serious injury.

This is a sophisticated hobby product. It must be operated with caution and common sense and requires some basic mechanical ability. Failure to operate this Product in a safe and responsible manner could result in injury or damage to the product or other property. This product is not intended for use by children without direct adult supervision. Do not use with incompatible components or alter this product in any way outside of the instructions provided by Horizon Hobby, LLC. This manual contains instructions for safety, operation and maintenance. It is essential to read and follow all the instructions and warnings in the manual, prior to assembly, setup or use, in order to operate correctly and avoid damage or serious injury.

Age Recommendation: Not for children under 14 years. This is not a toy.

SAFETY PRECAUTIONS AND WARNINGS

As the user of this product, you are solely responsible for operating in a manner that does not endanger yourself and others or result in damage to the product or property of others.

This model is controlled by a radio signal subject to interference from many sources outside your control. This interference can cause momentary loss of control, so it is advisable to always keep a safe distance in all directions around your model as this margin will help avoid collisions or injury.

- Never operate your model with low transmitter batteries.
- Always operate your model in open spaces away from full-size vehicles, traffic and people.
- Never operate the model in the street or in populated areas for any reason.
- Carefully follow the directions and warnings for this and any optional support equipment (chargers, rechargeable battery packs, etc.) you use.
- Keep all chemicals, small parts and anything electrical out of the reach of children.
- Never lick or place any portion of the model in your mouth as it could cause serious injury or even death.
- Exercise caution when using tools and sharp instruments.
- Take care during maintenance as some parts may have sharp edges.
- Immediately after using your model, do NOT touch equipment such as the motor, electronic speed control and battery, because they generate high temperatures. You may burn yourself seriously touching them.
- Do not put fingers or any objects inside rotating and moving parts, as this may cause damage or serious injury.
- Always turn on your transmitter before you turn on the receiver in the car. Always turn off the receiver before turning your transmitter off.
- Keep the wheels of the model off the ground when checking the operation of the radio equipment.



WARNING AGAINST COUNTERFEIT PRODUCTS: Always purchase from a Horizon Hobby, LLC authorized dealer to ensure authentic high-quality Spektrum product. Horizon Hobby, LLC disclaims all support and warranty with regards, but not limited to, compatibility and performance of counterfeit products or products claiming compatibility with Spektrum technology.

TABLE OF CONTENTS


Water-Resistant Vehicle With Waterproof Electronics.....	3	Using the 4-Wheel Steering.....	8
Box Contents.....	4	Vehicle Maintenance.....	9
Required Equipment.....	4	Spektrum Receiver/ESC Combo.....	10
Recommended Tools.....	4	Troubleshooting.....	11
Getting Started Checklist.....	5	Limited Warranty.....	12
Vehicle Parts.....	5	Warranty and Service Contact Information.....	12
Charge the Vehicle Battery.....	6	FCC Information.....	13
Install the Transmitter Batteries.....	6	IC Information.....	13
Transmitter Functions.....	6	Compliance Information for the European Union.....	13
Install the Vehicle Battery.....	7	Parts Lists.....	54
Binding.....	8	Recommended.....	55
Range-Checking the Radio System.....	8	Optional Parts.....	56

WATER-RESISTANT VEHICLE WITH WATERPROOF ELECTRONICS

Your new Horizon Hobby vehicle has been designed and built with a combination of waterproof and water-resistant components to allow you to operate the product in many “wet conditions,” including puddles, creeks, wet grass, snow and even rain.

While the entire vehicle is highly water-resistant, it is not completely waterproof and your vehicle should NOT be treated like a submarine. The various electronic components used in the vehicle, such as the Electronic Speed Control (ESC), servo(s) and receiver are waterproof, however, most of the mechanical components are water-resistant and should not be submerged.

Metal parts, including the bearings, hinge pins, screws and nuts, as well as the contacts in the electrical cables, will be susceptible to corrosion if additional maintenance is not performed after running in wet conditions. To maximize the long-term performance of your vehicle and to keep the warranty intact, the procedures described in the “Wet Conditions Maintenance” section below must be performed regularly if you choose to run in wet conditions. If you are not willing to perform the additional care and maintenance required, then you should not operate the vehicle in those conditions.


 **CAUTION:** Failure to exercise caution while using this product and complying with the following precautions could result in product malfunction and/or void the warranty.

GENERAL PRECAUTIONS

- Read through the wet conditions maintenance procedures and make sure that you have all the tools you will need to properly maintain your vehicle.
- Not all batteries can be used in wet conditions. Consult the battery manufacturer before use. Caution should be taken when using Li-Po batteries in wet conditions.
- Most transmitters are not water-resistant. Consult your transmitter’s manual or the manufacturer before operation.
- Never operate your transmitter or vehicle where lightning may be present.
- Do not operate your vehicle where it could come in contact with salt water (ocean water or water on salt-covered roads), contaminated or polluted water. Salt water is very conductive and highly corrosive, so use caution.
- Even minimal water contact can reduce the life of your motor if it has not been certified as water-resistant or waterproof. If the motor becomes excessively wet, apply very light throttle until the water is mostly removed from the motor. Running a wet motor at high speeds may rapidly damage the motor.
- Driving in wet conditions can reduce the life of the motor. The additional resistance of operating in water causes excess strain. Alter the gear ratio by using a smaller pinion or larger spur gear. This will increase torque (and motor life) when running in mud, deeper puddles, or any wet conditions that will increase the load on the motor for an extended period of time.

WET CONDITIONS MAINTENANCE

- Drain any water that has collected in the tires by spinning them at high speed. With the body removed, place the vehicle upside down and pull full throttle for a few short bursts until the water has been removed.

 **CAUTION:** Always keep hands, fingers, tools and any loose or hanging objects away from rotating parts when performing the above drying technique.

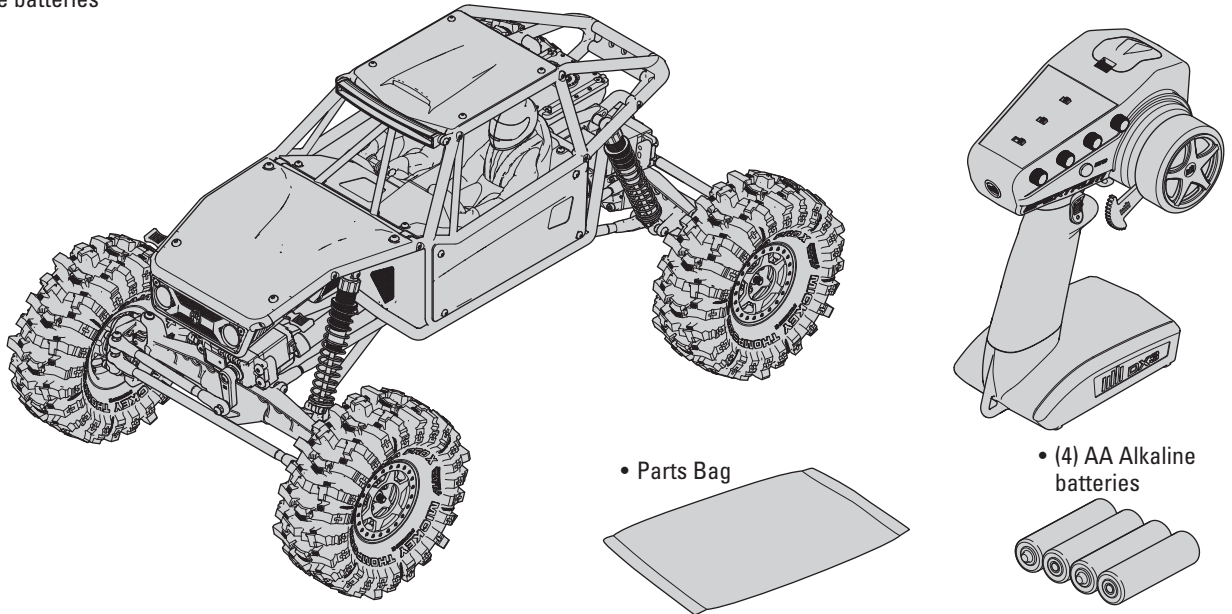
- Remove the battery pack(s) and dry the contacts. If you have an air compressor or a can of compressed air, blow out any water that may be inside the recessed connector housing.
- Remove the tires/wheels from the vehicle and gently rinse the mud and dirt off with a garden hose. Avoid rinsing the bearings and transmission.

NOTICE: Never use a pressure washer to clean your vehicle.

- Use an air compressor or a can of compressed air to dry the vehicle and help remove any water that may have gotten into small crevices or corners.
- Spray the bearings, drive train, fasteners and other metal parts with a water-displacing light oil. Do not spray the motor.
- Let the vehicle air dry before you store it. Water (and oil) may continue to drip for a few hours.
- Increase the frequency of disassembly, inspection and lubrication of the following:
 - Front and rear axle hub assembly bearings.
 - All transmission cases, gears and differentials.
 - Motor—clean with an aerosol motor cleaner and re-oil the bushings with lightweight motor oil.

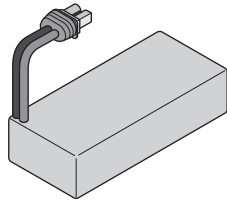
BOX CONTENTS

- Spektrum DX3 3Ch 2.4GHz Radio Transmitter (SPM2340)
- Capra™ 1.9 4WS Unlimited Trail Buggy RTR
 - 35T Electric Motor (AXI-1376)
 - S683 Metal Gear Servo 25T WP (SPMS683)
 - Spektrum™ Firma™ 40A Brushed Waterproof ESC, 2S-3S: IC3 (SPMXSE1040)
 - Spektrum™ SR515 DSMR 5-Channel Sport Receiver (SPMSR515)
- (4) AA Alkaline batteries

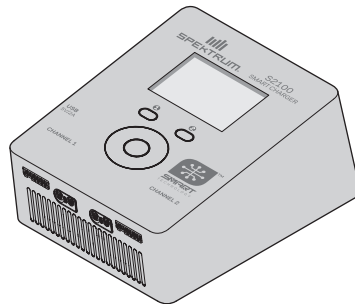


REQUIRED EQUIPMENT

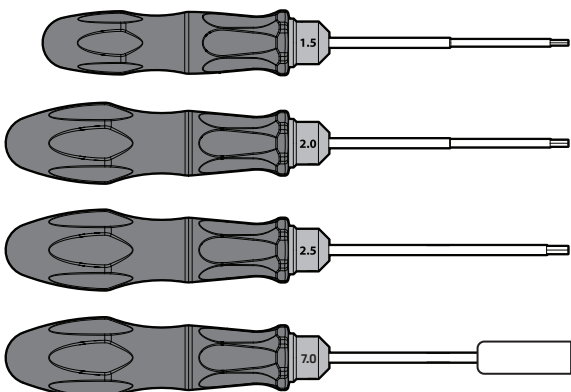
- 2-3S Shorty LiPo Battery (96mm maximum width, IC3™ Connector Required)



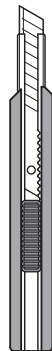
- Battery charger compatible with the chosen vehicle battery



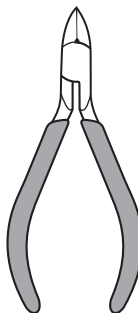
RECOMMENDED TOOLS



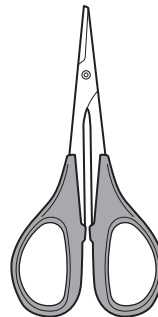
- Hex Drivers (1.5, 2.0, 2.5mm)
- Nut Driver 7mm



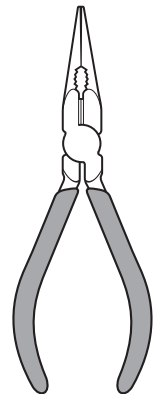
- Hobby Knife



- Side Cutter



- Curved Scissors



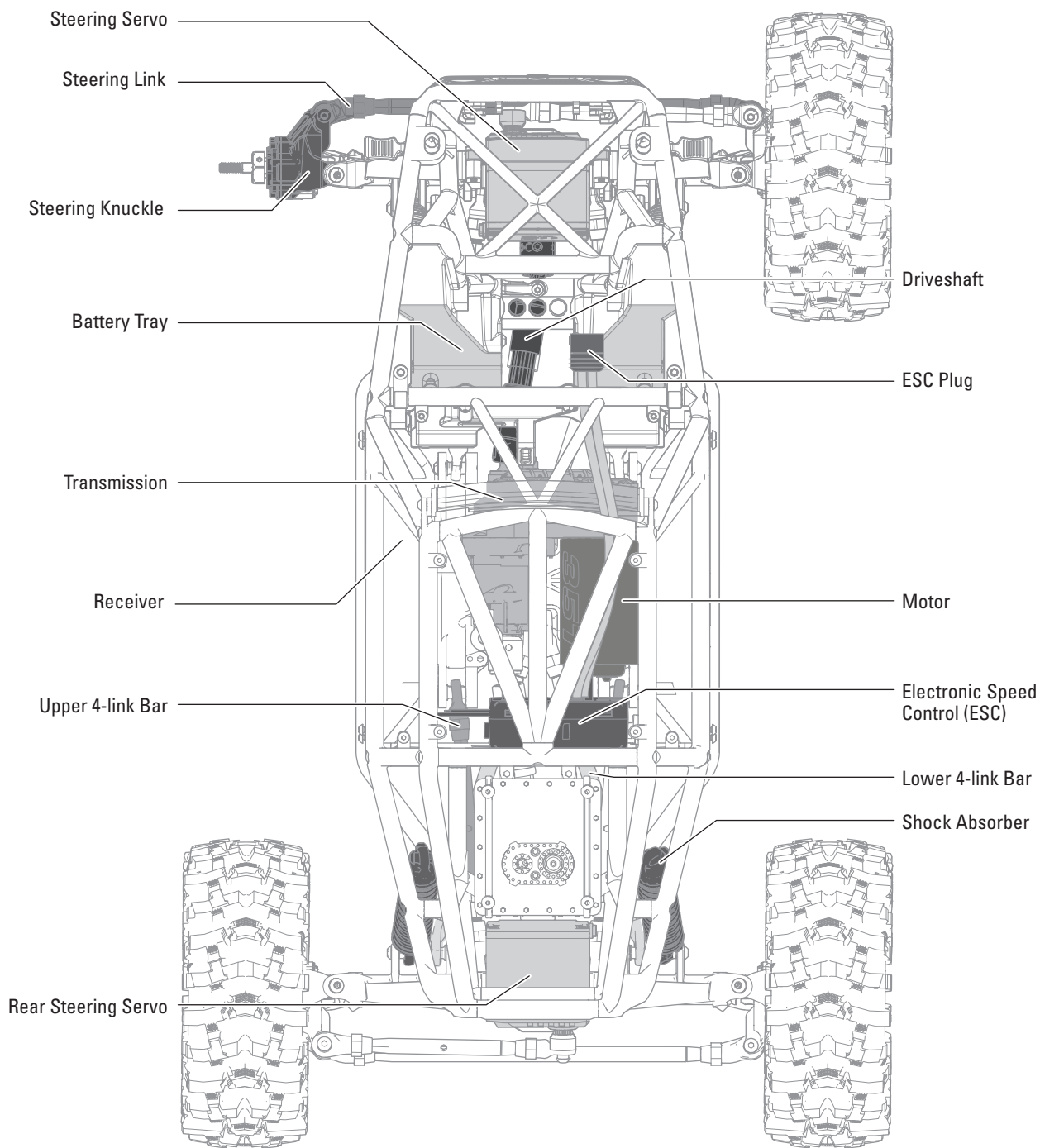
- Long-nose Plier

GETTING STARTED CHECKLIST

Read the manual
Familiarize yourself with the vehicle and its components
Check all screws, especially the driveshaft setscrews, for tightness from the factory
Charge the vehicle battery
Install 4 AA batteries in the transmitter

Power on the transmitter
Install the vehicle battery in the vehicle
Check for proper function of the throttle and steering
Range check the radio system
Drive the vehicle, challenge yourself and have FUN!
Perform any necessary vehicle maintenance

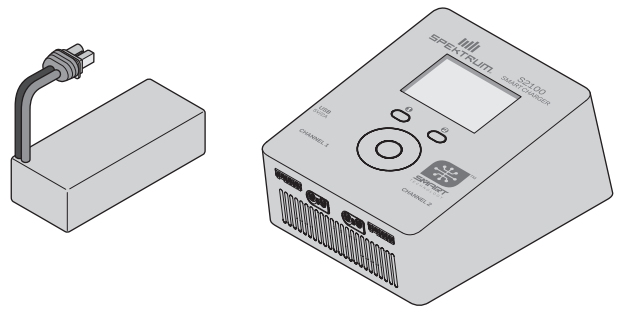
VEHICLE PARTS



CHARGE THE VEHICLE BATTERY

Follow the manufacturer's directions for your charger to properly charge the vehicle battery.

CAUTION: Only use chargers designed to charge the chosen battery type. Using an incompatible charger or incorrect charge settings could result in fire causing person injury or property damage.



INSTALL THE TRANSMITTER BATTERIES

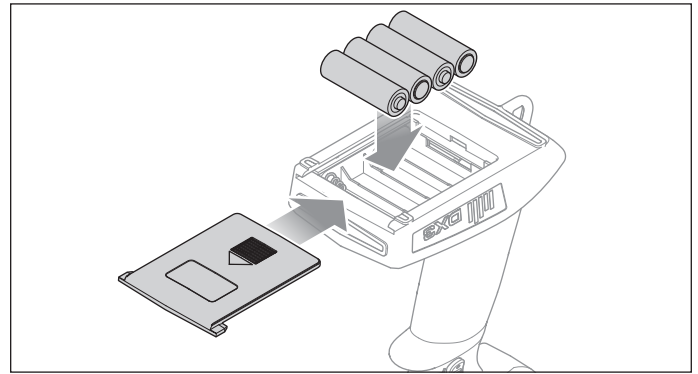
This transmitter requires 4 AA batteries.

1. Remove the battery cover from the transmitter.
2. Install the batteries as shown.
3. Install the battery cover.

CAUTION: NEVER remove the transmitter batteries while the model is powered on. Loss of model control, damage, or injury may occur.

CAUTION: If using rechargeable batteries, charge only rechargeable batteries. Charging non-rechargeable batteries may cause the batteries to burst, resulting in injury to persons and/or damage to property.

CAUTION: Risk of explosion if battery is replaced by an incorrect type. Dispose of used batteries according to national regulations.



TRANSMITTER FUNCTIONS

A/B. Channel 3 Button (4-Wheel Steering)

C. Throttle/Brake

D. Steering Wheel

E. Steering Rate

Adjusts the end point of the steering

F. Brake Rate

Adjusts the braking end point.

G. Steering Trim

Adjusts the steering center point. Normally, the steering trim is adjusted until the vehicle tracks straight.

H. Throttle Trim

Adjusts the throttle neutral point

I. SMART Battery Level Indicator

J. Servo Reversing

To reverse the Throttle (TH) or Steering (ST) channel, switch the position of the correlating switch—"N" is for normal, "R" is for reverse.

K. Throttle Limit

Limits throttle output to 50/75/100%

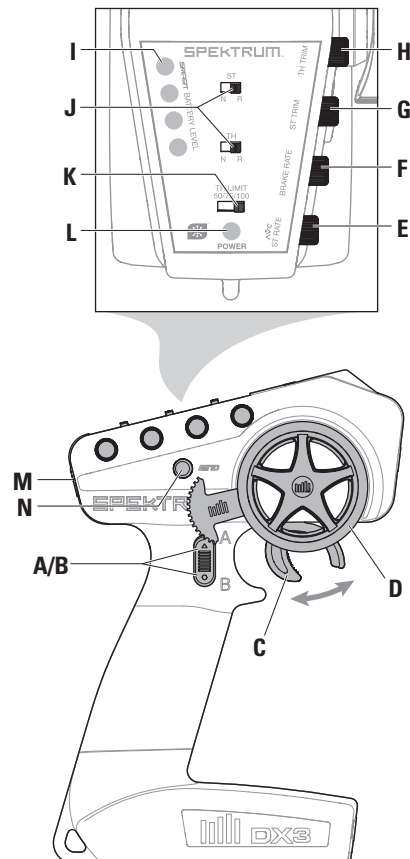
Select 50% or 75% for less experienced drivers or when you are driving the vehicle in a small area.

L. Power LED

- **Solid red lights:** Indicates radio connectivity and adequate battery power
- **Flashing red lights:** Indicates the battery voltage is critically low. Replace batteries

M. Power Button

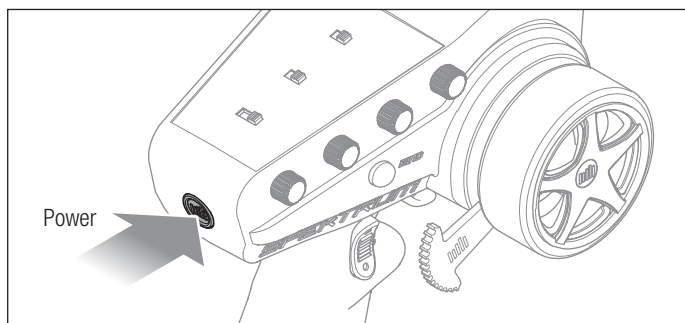
N. Bind Button



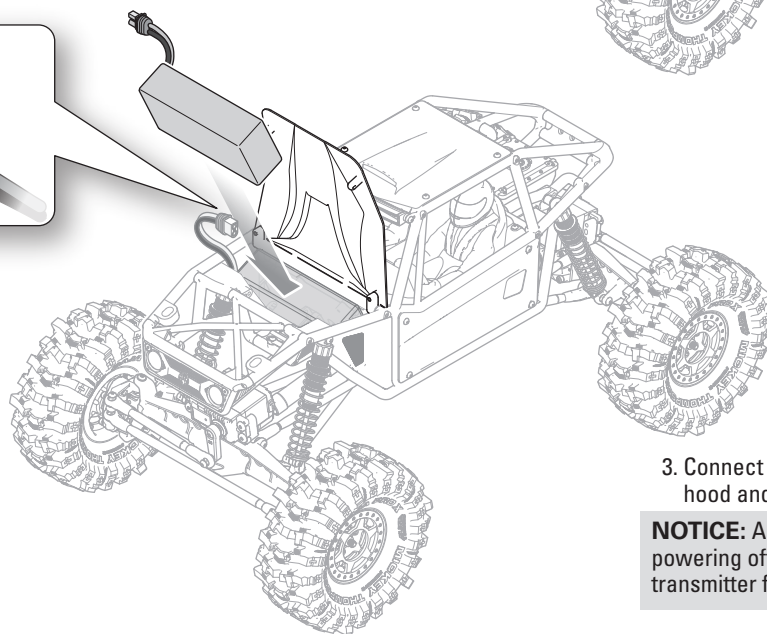
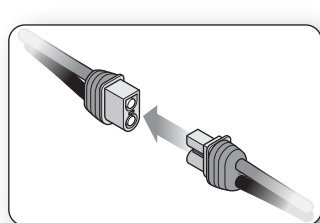
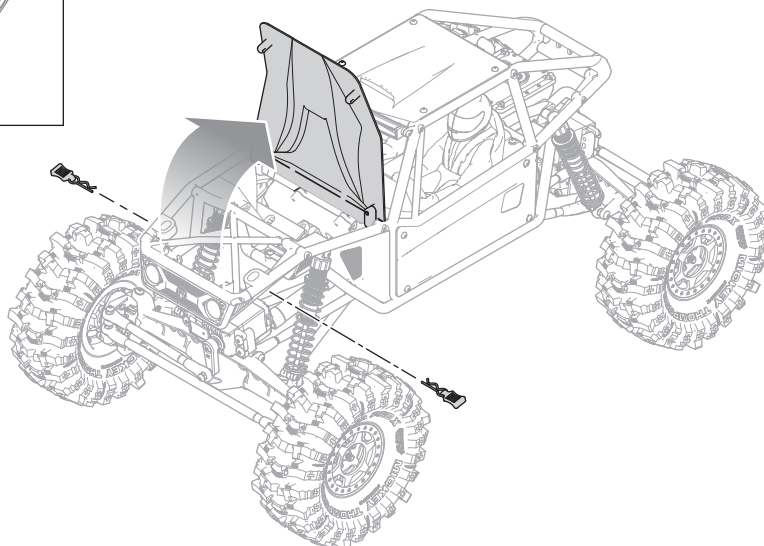
INSTALL THE VEHICLE BATTERY

NOTICE: Power to the vehicle is controlled by connecting and disconnecting the battery from the ESC. Always power on the transmitter first before connecting the vehicle battery. Always disconnect the battery from the ESC when not in use.

1. Power on the transmitter.



2. Remove the body clips and open the hood.



3. Connect the battery to the ESC. Close the hood and replace the body clips.

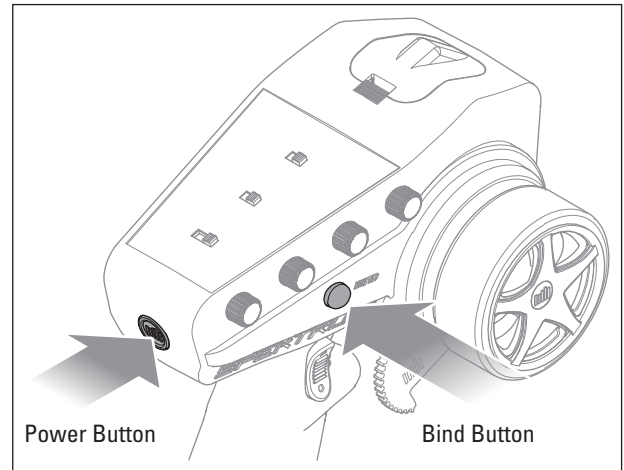
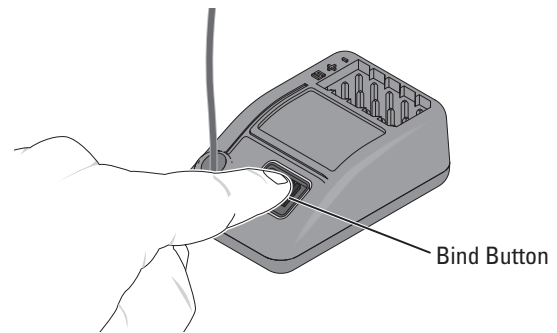
NOTICE: Always power off the vehicle before powering off the transmitter. Powering off the transmitter first may result in loss of control.

BINDING

Binding is the process of programming the receiver to recognize the GUID (Globally Unique Identifier) code of a single specific transmitter. The transmitter and receiver are bound at the factory. If you need to rebind, follow the instructions below.

1. Connect a fully charged battery pack to the ESC.
2. Press and hold the bind button on the receiver.
3. Power ON the receiver. The red LED flashes, indicating the receiver is in bind mode. Release the bind button after the orange LED begins to flash.
4. With the throttle trigger at neutral, press and hold the transmitter bind button while powering on to put the transmitter in bind mode. The throttle should be at neutral to set failsafe.
5. The bind process is complete when the orange LED on the receiver remains lit.

You must rebind when different failsafe positions are needed e.g., when throttle or steering reversing has been changed.



RANGE-CHECKING THE RADIO SYSTEM

The radio system should be checked before operating the vehicle to ensure proper operation and adequate range.

1. Turn on the transmitter.
2. Connect the battery in the vehicle.
3. Have a friend hold the vehicle while keeping hands and loose clothing away from moving parts.
4. Walk away until you are at the maximum planned operating distance from the vehicle.
5. Turn the steering wheel side to side and operate the throttle, both forward and reverse, checking for any erratic behavior.
6. If any erratic behavior is exhibited, DO NOT operate the vehicle. Call customer service for assistance.

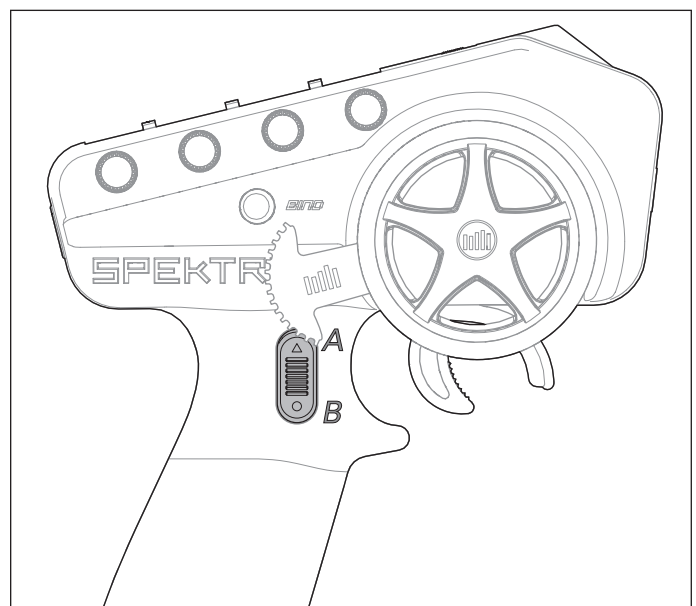


USING THE 4-WHEEL STEERING

The vehicle features 4-wheel steering, the rear wheels are controlled using the A/B transmitter switch.

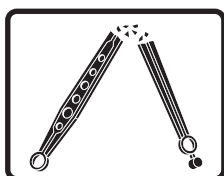
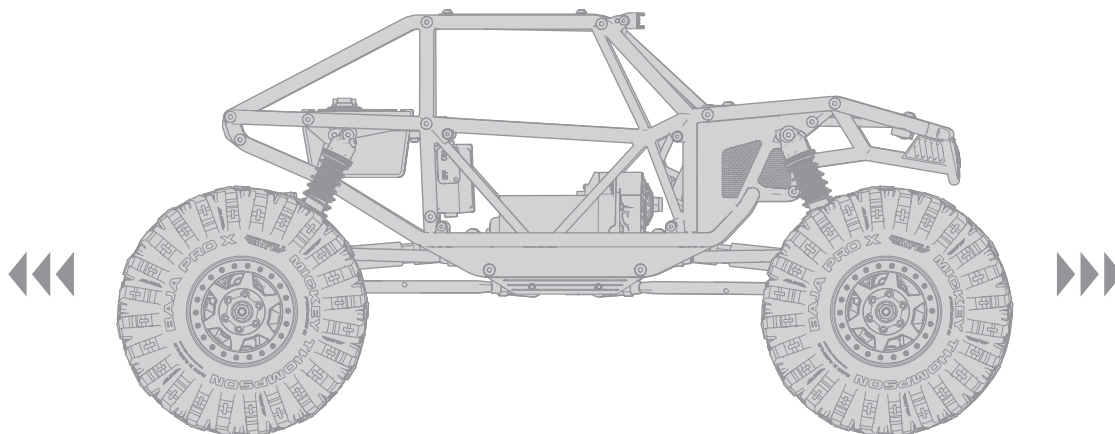
To activate the steering, use the 3 position momentary mode.

- The rear wheels are controlled using the A/B transmitter switch.
- Press and hold either A or B to turn the rear steering 100% in either direction.
- Release the switch to return the rear steering back to center.

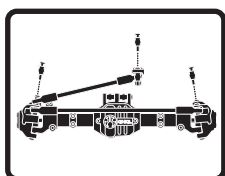


VEHICLE MAINTENANCE

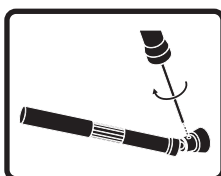
Just like a full size car or truck your RC vehicle must undergo periodic maintenance in order to ensure peak performance. Preventative maintenance will also help avoid needless breakages which could result in costly repairs. Below are some suggestions to properly maintain your vehicle.



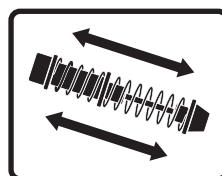
Replace any noticeable bent or broken parts



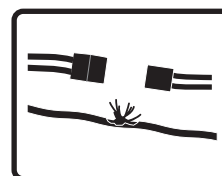
Check for wear on the ball joints in the steering and suspension links (replace if necessary)



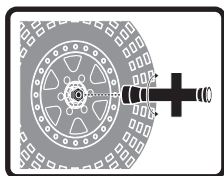
Check driveshaft set screws and apply thread locking compound if necessary



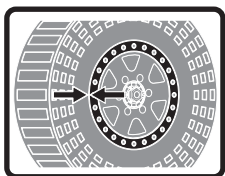
Inspect shock absorbers for smooth dampened operation



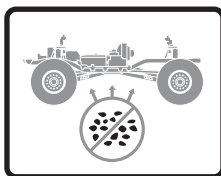
Check for any loose connections or frayed wiring



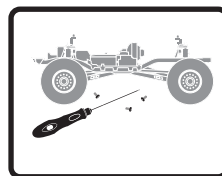
Check the wheel nuts for tightness



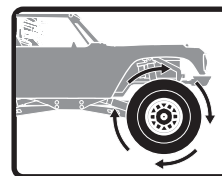
Ensure the wheel beads are still firmly bonded around the entire circumference of the rim



Keep the chassis free of dirt and debris



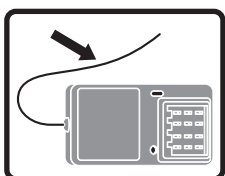
Check for loose screws on the chassis, especially the knuckle, C-hub and axle lockout screws



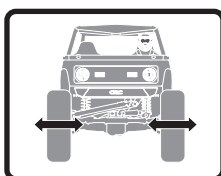
Check the driveline for smooth, bind free operation



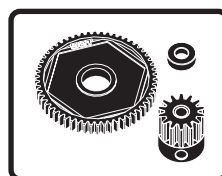
If applicable, check the slipper clutch for proper operation



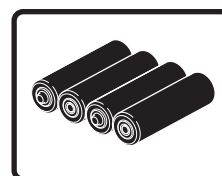
Check the receiver antenna for damage



Check the steering operation for any binding

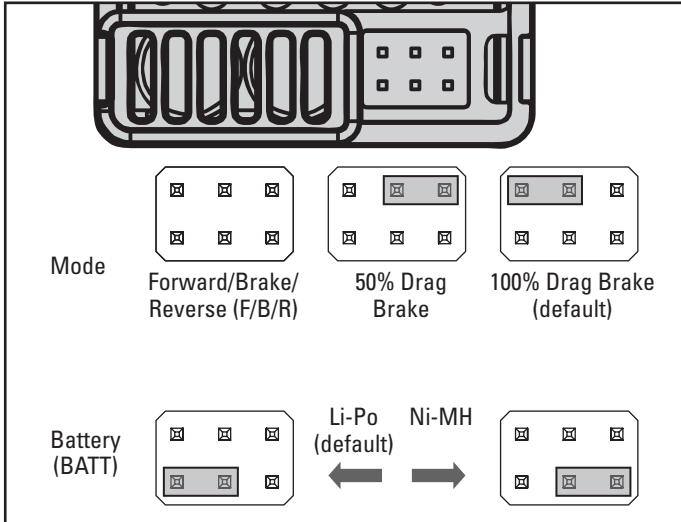
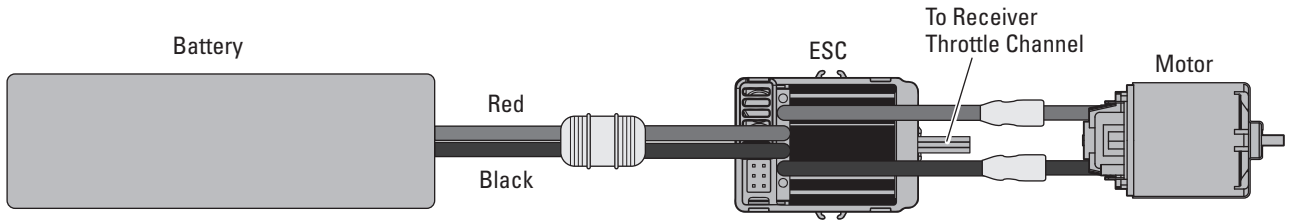


Inspect the spur and pinion gears for damage



Replace the transmitter batteries when indicated by the transmitter, as described in the Transmitter Functions section

FIRMA 40A BRUSHED ESC



SPECIFICATIONS	
Type	Brushed
Constant/Peak	40A/180A
Resistance	0.002 Ohms
Function	Forward/Brake/Reverse, Forward/Brake, Forward/Reverse (Crawler Mode)
Vehicle Type	1/10 on-road and off-road; 1/10 rock crawler
Operation	Proportional forward, proportional reverse with braking delay, Crawler Mode
Battery Type/Input Voltage	2-3 cell Li-Po/Li-Fe; 5-9 cell Ni-MH/Ni-Cd
Motor Type	2S Li-Po down to 12T; 3S Li-Po down to 18T
BEC Output	6V/3A
Dimensions	46.5mm x 34mm x 28.5mm (1.8 x 1.3 x 1.1 in)
Weight	70g (2.5 oz)
Battery Connector	IC3™ connector

SOUND INDICATOR	
OPERATION	SOUND
Ni-MH/Ni-CD Battery	1 Short Beep
2S Li-Po Battery	2 Short Beeps
3S Li-Po Battery	3 Short Beeps
ESC Ready	1 Long Beep

SETUP

Throttle calibration should not be needed out of the box. However, in order to make the throttle range of different transmitters, the calibration of the ESC is necessary:

- Mount the ESC in an area that is well ventilated and isolated from vibration and shock.
- Connect the ESC motor wires to the motor red-to-red and black-to-black.
- Plug the receiver into the throttle channel of the receiver.
- Before plugging the battery into the ESC, make sure your transmitter is on and the throttle trim is set to zero.
- Connect the battery to the ESC. The vehicle will be powered on when the battery is connected.

CAUTION: Keep all body parts and loose clothing away from any moving parts while the battery is connected to the ESC.

CAUTION: Always connect the ESC only to a proper power source that has the correct voltage and polarity. Incorrect voltages or reversed polarity will damage the ESC. Damage to the ESC caused by improper voltage or polarity is not covered under warranty.

- Test forward and reverse control using the transmitter.

TO CALIBRATE THE ESC:

- Power the transmitter on and set the throttle control to neutral.
- Connect the battery to the ESC and wait 3 seconds to let the ESC initiate a self-test and automatic throttle calibration.
- The ESC is ready to run when a long beep sound is emitted from the motor.
- Always disconnect the battery when the vehicle is not in use.

IMPORTANT: The LiPo cut-off is set to "ON" and the drag brake is set to 100% from the factory.

TROUBLESHOOTING

PROBLEM	POSSIBLE CAUSE	SOLUTION
The system will not connect	Your transmitter and receiver are too close together	Move transmitter 8 to 12 feet away from receiver
	You are near metal objects	Move to an area with less metal
	The receiver is bound to a different model memory	Make sure the correct model memory is active in your transmitter
	Your transmitter was placed into bind mode and is no longer bound to your receiver	Rebind your transmitter and receiver, and then re-calibrate
The receiver goes into failsafe a short distance away from the transmitter	Check for damage on the receiver antenna	Make sure your receiver antenna is protected and located as high as practical Replace the receiver or contact Horizon Product Support
The receiver stops responding during operation	Low receiver battery voltage. If the battery voltage is low, it may drop below 3.5V momentarily, causing the receiver to brown-out, then reconnect	Charge the receiver or vehicle battery. Spektrum receivers require at least 3.5V to operate
	Loose or damaged wires or connectors between battery and receiver	Check the wires and connection between the battery and receiver. Repair or replace wires and/or connectors
Vehicle does not move	Batteries are not installed properly in the transmitter	Ensure the transmitter batteries are properly installed
	Weak or no battery in the vehicle	Install a freshly charged vehicle battery
	Damaged motor	Replace the motor
	Frayed or broken wiring	Replace any damaged wiring
	ESC is shut down by heat protection circuit	Allow the ESC to cool down completely
Loss of vehicle control	Improper antenna placement	Ensure the transmitter antenna is not blocked and the receiver antenna is located properly
	Weak or no batteries in the transmitter or vehicle	Install a freshly charged vehicle battery and new transmitter batteries
	Neutral or trim position is incorrect	Adjust the steering trim
	Receiver and/or battery not connected properly	Check all receiver and battery connections
Steering and/or throttle function is reversed	Servo travel is reversed at the transmitter	Set the transmitter servo reversing switch to the correct position
	Motor wires are not connected properly	Check all motor wires for correct polarity and secure connection
ESC ON - No motor function, audible tone or LED	Battery/connection issue	Recharge/replace battery. Secure all connections
	Damaged ESC/switch	Repair/replace ESC switch/ESC
	Damaged motor	Repair/replace
Motor- Stops and LED blinks	Low voltage protection	When the ESC LED blinks, recharge/replace battery
	Overheat protection	When the LED blinks, let motor/ESC cool, change set up or gearing to avoid overheating
Motor- Accelerates irregularly	Battery issue	Repair damaged wiring/replace battery
	Incorrect gearing	Adjust/replace gearing
	Worn or damaged motor	Repair/replace motor
Motor- Does not turn continuously in response to throttle	ESC/motor damaged	Repair/replace wiring or motor/ESC
Motor- Slows but will not stop	Incorrect transmitter/ESC calibration	Adjust throttle travel/other throttle settings on the transmitter/ESC. Repeat the ESC Calibration Procedure
Steering servo- Operates; motor does not run	Damaged motor	Test the motor apart from the vehicle system, repair/replace motor as needed
	Incorrect transmitter/ESC calibration	Adjust throttle travel/other throttle settings on the transmitter/ESC. Repeat the ESC Calibration Procedure
Steering/motor- not functioning	Low battery voltage	Recharge/replace
	Wrong model memory selected on transmitter	Select correct model settings on your transmitter, refer to transmitter and/or receiver manual
	Receiver not bound to transmitter	Bind transmitter to receiver, refer to transmitter and/or receiver manual
Vehicle- Does not operate at full speed	Battery issue	Recharge/replace
	Incorrect transmitter/ESC calibration	Adjust throttle travel/other throttle settings on the transmitter/ESC. Repeat the ESC Calibration Procedure

LIMITED WARRANTY

What this Warranty Covers

Horizon Hobby, LLC, (Horizon) warrants to the original purchaser that the product purchased (the "Product") will be free from defects in materials and workmanship for a period of 2 years from the date of purchase.

What is Not Covered

This warranty is not transferable and does not cover (i) cosmetic damage, (ii) damage due to acts of God, accident, misuse, abuse, negligence, commercial use, or due to improper use, installation, operation or maintenance, (iii) modification of or to any part of the Product, (iv) attempted service by anyone other than a Horizon Hobby authorized service center, (v) Product not purchased from an authorized Horizon dealer, or (vi) Product not compliant with applicable technical regulations or (vii) use that violates any applicable laws, rules, or regulations.

OTHER THAN THE EXPRESS WARRANTY ABOVE, HORIZON MAKES NO OTHER WARRANTY OR REPRESENTATION, AND HEREBY DISCLAIMS ANY AND ALL IMPLIED WARRANTIES, INCLUDING, WITHOUT LIMITATION, THE IMPLIED WARRANTIES OF NON-INFRINGEMENT, MERCHANTABILITY AND FITNESS FOR A PARTICULAR PURPOSE. THE PURCHASER ACKNOWLEDGES THAT THEY ALONE HAVE DETERMINED THAT THE PRODUCT WILL SUITABLY MEET THE REQUIREMENTS OF THE PURCHASER'S INTENDED USE.

Purchaser's Remedy

Horizon's sole obligation and purchaser's sole and exclusive remedy shall be that Horizon will, at its option, either (i) service, or (ii) replace, any Product determined by Horizon to be defective. Horizon reserves the right to inspect any and all Product(s) involved in a warranty claim. Service or replacement decisions are at the sole discretion of Horizon. Proof of purchase is required for all warranty claims. SERVICE OR REPLACEMENT AS PROVIDED UNDER THIS WARRANTY IS THE PURCHASER'S SOLE AND EXCLUSIVE REMEDY.

Limitation of Liability

HORIZON SHALL NOT BE LIABLE FOR SPECIAL, INDIRECT, INCIDENTAL OR CONSEQUENTIAL DAMAGES, LOSS OF PROFITS OR PRODUCTION OR COMMERCIAL LOSS IN ANY WAY, REGARDLESS OF WHETHER SUCH CLAIM IS BASED IN CONTRACT, WARRANTY, TORT, NEGLIGENCE, STRICT LIABILITY OR ANY OTHER THEORY OF LIABILITY, EVEN IF HORIZON HAS BEEN ADVISED OF THE POSSIBILITY OF SUCH DAMAGES. Further, in no event shall the liability of Horizon exceed the individual price of the Product on which liability is asserted. As Horizon has no control over use, setup, final assembly, modification or misuse, no liability shall be assumed nor accepted for any resulting damage or injury. By the act of use, setup or assembly, the user accepts all resulting liability. If you as the purchaser or user are not prepared to accept the liability associated with the use of the Product, purchaser is advised to return the Product immediately in new and unused condition to the place of purchase.

Law

These terms are governed by Illinois law (without regard to conflict of law principals). This warranty gives you specific legal rights, and you may also have other rights which vary from state to state. Horizon reserves the right to change or modify this warranty at any time without notice.

WARRANTY SERVICES

Questions, Assistance, and Services

Your local hobby store and/or place of purchase cannot provide warranty support or service. Once assembly, setup or use of the Product has been started, you must contact your local distributor or Horizon directly. This will enable Horizon to better answer your questions and service you in the event that you may need any assistance. For questions

or assistance, please visit our website at www.horizonhobby.com, submit a Product Support Inquiry, or call the toll free telephone number referenced in the Warranty and Service Contact Information section to speak with a Product Support representative.

Inspection or Services

If this Product needs to be inspected or serviced and is compliant in the country you live and use the Product in, please use the Horizon Online Service Request submission process found on our website or call Horizon to obtain a Return Merchandise Authorization (RMA) number. Pack the Product securely using a shipping carton. Please note that original boxes may be included, but are not designed to withstand the rigors of shipping without additional protection. Ship via a carrier that provides tracking and insurance for lost or damaged parcels, as Horizon is not responsible for merchandise until it arrives and is accepted at our facility. An Online Service Request is available at http://www.horizonhobby.com/content/service-center_render-service-center. If you do not have internet access, please contact Horizon Product Support to obtain a RMA number along with instructions for submitting your product for service. When calling Horizon, you will be asked to provide your complete name, street address, email address and phone number where you can be reached during business hours. When sending product into Horizon, please include your RMA number, a list of the included items, and a brief summary of the problem. A copy of your original sales receipt must be included for warranty consideration. Be sure your name, address, and RMA number are clearly written on the outside of the shipping carton.

NOTICE: Do not ship Li-Po batteries to Horizon. If you have any issue with a Li-Po battery, please contact the appropriate Horizon Product Support office.

Warranty Requirements

For Warranty consideration, you must include your original sales receipt verifying the proof-of-purchase date. Provided warranty conditions have been met, your Product will be serviced or replaced free of charge. Service or replacement decisions are at the sole discretion of Horizon.

Non-Warranty Service

Should your service not be covered by warranty, service will be completed and payment will be required without notification or estimate of the expense unless the expense exceeds 50% of the retail purchase cost. By submitting the item for service you are agreeing to payment of the service without notification. Service estimates are available upon request. You must include this request with your item submitted for service. Non-warranty service estimates will be billed a minimum of 1/2 hour of labor. In addition you will be billed for return freight. Horizon accepts money orders and cashier's checks, as well as Visa, MasterCard, American Express, and Discover cards. By submitting any item to Horizon for service, you are agreeing to Horizon's Terms and Conditions found on our website http://www.horizonhobby.com/content/service-center_render-service-center.

ATTENTION: Horizon service is limited to Product compliant in the country of use and ownership. If received, a non-compliant Product will not be serviced. Further, the sender will be responsible for arranging return shipment of the un-serviced Product, through a carrier of the sender's choice and at the sender's expense. Horizon will hold non-compliant Product for a period of 60 days from notification, after which it will be discarded.

10/15

WARRANTY AND SERVICE CONTACT INFORMATION

COUNTRY OF PURCHASE	HORIZON HOBBY	CONTACT INFORMATION	ADDRESS
United States of America	Horizon Service Center (Repairs and Repair Requests)	servicecenter.horizonhobby.com/RequestForm/	2904 Research Rd Champaign, IL 61822
	Horizon Product Support (Product Technical Assistance)	productsupport@horizonhobby.com 877-504-0233	
	Sales	websales@horizonhobby.com 800-338-4639	
European Union	Horizon Technischer Service	service@horizonhobby.eu	Hanskampring 9 D 22885 Barsbüttel, Germany
	Sales: Horizon Hobby GmbH	+49 (0) 4121 2655 100	

FCC INFORMATION

Contains FCC ID: BRWKATY1T

Contains FCC ID: BRWSRIRVINGV1

This equipment complies with FCC and IC radiation exposure limits set forth for an uncontrolled environment. This equipment should be installed and operated with minimum distance 20cm between the radiator and/or antenna and your body (excluding fingers, hands, wrists, ankles and feet). This transmitter must not be co-located or operating in conjunction with any other antenna or transmitter.

SUPPLIER'S DECLARATION OF CONFORMITY

Axial Capra 1.9 4WS Trail Buggy RTR (AXI-1543)

FCC This device complies with part 15 of the FCC Rules. Operation is subject to the following two conditions: (1) This device may not cause harmful interference, and (2) this device must accept any interference received, including interference that may cause undesired operation.



CAUTION: changes or modifications not expressly approved by the party responsible for compliance could void the user's authority to operate the equipment.

NOTE: This equipment has been tested and found to comply with the limits for a Class B digital device, pursuant to part 15 of the FCC Rules. These limits are designed to provide reasonable protection against harmful interference in a residential installation. This equipment

generates, uses and can radiate radio frequency energy and, if not installed and used in accordance with the instructions, may cause harmful interference to radio communications. However, there is no guarantee that interference will not occur in a particular installation. If this equipment does cause harmful interference to radio or television reception, which can be determined by turning the equipment off and on, the user is encouraged to try to correct the interference by one or more of the following measures:

- Reorient or relocate the receiving antenna.
- Increase the separation between the equipment and receiver.
- Connect the equipment into an outlet on a circuit different from that to which the receiver is connected.
- Consult the dealer or an experienced radio/TV technician for help.

Horizon Hobby, LLC
2904 Research Rd.,
Champaign, IL 61822
Email: compliance@horizonhobby.com
Web: HorizonHobby.com

IC INFORMATION

CAN ICES-3 (B)/NMB-3(B)

Contains IC: 6157A-KATY1T

Contains IC: 6157A-SRIRVINGV1

This device complies with Industry Canada licence-exempt RSS standard(s). Operation is subject to the following two conditions:

(1) this device may not cause interference, and (2) this device must accept any interference, including interference that may cause undesired operation of the device.

COMPLIANCE INFORMATION FOR THE EUROPEAN UNION

CE **EU COMPLIANCE STATEMENT:**

Axial Capra 1.9 4WS Trail Buggy RTR (AXI-1543)

Hereby, Horizon Hobby, LLC declares that the device is in compliance with the following: EU Radio Equipment Directive 2014/53/EU; RoHS 2 Directive 2011/65/EU; RoHS 3 Directive - Amending 2011/65/EU Annex II 2015/863.

The full text of the EU declaration of conformity is available at the following internet address: <https://www.horizonhobby.com/content/support-render-compliance>.

NOTE: This product contains batteries that are covered under the 2006/66/EC European Directive, which cannot be disposed of with normal household waste. Please follow local regulations.

Wireless Frequency Range and Wireless Output Power

Transmitter

2402.0 - 2478.0 MHz
17.7 dBm

Receiver

2404-2476 MHz
-1.33 dBm

EU Manufacturer of Record:

Horizon Hobby, LLC
2904 Research Road
Champaign, IL 61822 USA

EU Importer of Record:

Horizon Hobby, GmbH
Hanskampring 9
22885 Barsbüttel Germany

WEEE NOTICE:



This appliance is labeled in accordance with European Directive 2012/19/EU concerning waste of electrical and electronic equipment (WEEE). This label indicates that this product should not be disposed of with household waste. It should be deposited at an appropriate facility to enable recovery and recycling.



E328

HINWIES

Allen Anweisungen, Garantien und anderen zugehörigen Dokumenten sind Änderungen nach Ermessen von Horizon Hobby, LLC vorbehalten. Aktuelle Produktliteratur finden Sie unter www.horizonhobby.com oder www.towerhobbies.com im Support-Abschnitt für das Produkt.


ERKLÄRUNG DER BEGRIFFE

Die folgenden Begriffe werden in der gesamten Produktliteratur verwendet, um auf unterschiedlich hohe Gefahrenrisiken beim Betrieb dieses Produkts hinzuweisen:

WARNUNG: Wenn diese Verfahren nicht korrekt befolgt werden, ergeben sich wahrscheinlich Sachschäden, Kollateralschäden und schwere Verletzungen ODER mit hoher Wahrscheinlichkeit oberflächliche Verletzungen.

ACHTUNG: Wenn diese Verfahren nicht korrekt befolgt werden, ergeben sich wahrscheinlich Sachschäden UND die Gefahr von schweren Verletzungen.

HINWEIS: Wenn diese Verfahren nicht korrekt befolgt werden, können sich möglicherweise Sachschäden UND geringe oder keine Gefahr von Verletzungen ergeben.

 **WARNUNG:** Lesen Sie die GESAMTE Bedienungsanleitung, um sich vor dem Betrieb mit den Produktfunktionen vertraut zu machen. Wird das Produkt nicht korrekt betrieben, kann dies zu Schäden am Produkt oder persönlichem Eigentum führen oder schwere Verletzungen verursachen.

Dies ist ein hochentwickeltes Hobby-Produkt. Es muss mit Vorsicht und gesundem Menschenverstand betrieben werden und benötigt gewisse mechanische Grundfähigkeiten. Wird dieses Produkt nicht auf eine sichere und verantwortungsvolle Weise betrieben, kann dies zu Verletzungen oder Schäden am Produkt oder anderen Sachwerten führen. Versuchen Sie nicht ohne Genehmigung durch Horizon Hobby, LLC, das Produkt zu zerlegen, es mit inkompatiblen Komponenten zu verwenden oder auf jegliche Weise zu erweitern. Diese Bedienungsanleitung enthält Anweisungen für Sicherheit, Betrieb und Wartung. Es ist unbedingt notwendig, vor Zusammenbau, Einrichtung oder Verwendung alle Anweisungen und Warnhinweise im Handbuch zu lesen und zu befolgen, damit es bestimmungsgemäß betrieben werden kann und Schäden oder schwere Verletzungen vermieden werden.


Nicht geeignet für Kinder unter 14 Jahren. Dies ist kein Spielzeug.

SICHERHEITSHINWEISE UND WARNUNGEN

Als Nutzer dieses Produktes, sind Sie allein verantwortlich, es in einer Art und Weise zu benutzen, die eine eigene Gefährdung und die anderer oder Beschädigung an anderem Eigentum ausschließt.

Das Modell ist ferngesteuert und anfällig für bestimmte äußere Einflüsse. Diese Einflüsse können zum vorübergehenden Verlust der Steuerfähigkeit führen, so dass es immer sinnvoll ist genügend Sicherheitsabstand in alle Richtungen um das Modell zu haben.

- Fahren Sie das Modell nie mit fast leeren oder schwachen Senderbatterien.
- Betreiben Sie Ihr Modell stets auf offenen Geländen, weit ab von Automobilen, Verkehr und Menschen.
- Fahren Sie Ihr Modell nicht auf der Straße oder belebten Plätzen.
- Beachten Sie vorsichtig alle Hinweise und Warnungen für das Modell und allen dazu gehörigen Equipment.
- Halten Sie alle Chemikalien, Kleinteile und elektrische Bauteile aus der Reichweite von Kindern.
- Lecken Sie niemals an Teilen von Ihrem Modell oder nehmen diese in den Mund, da diese Sie ernsthaft verletzen oder töten können.
- Seien Sie immer aufmerksam wenn Sie Werkzeug oder scharfe Instrumente verwenden.
- Seien Sie bei dem Bau vorsichtig, da einige Teile scharfe Kanten haben könnten.
- Fassen Sie bitte unmittelbar nach dem Betrieb nicht den Motor, Regler oder Akku an, da diese Teile sich sehr erwärmen können und Sie sich bei dem Berühren ernsthaft verbrennen können.
- Fassen Sie nicht in drehende oder sich bewegende Teile, da sich sich ernsthaft dabei verletzen können.
- Schalten Sie immer zuerst den Sender ein, bevor Sie den Empfänger im Fahrzeug einschalten.
- Stellen Sie das Fahrzeug mit den Rädern nicht auf den Boden, wenn Sie die Funktionen überprüfen.

 **WARNUNG VOR GEFÄLSCHTEN PRODUKTEN:** Sollten Sie jemals eine Spektrum Komponente ersetzen wollen, kaufen Sie die benötigten Ersatzteile immer bei Horizon Hobby oder einem von Horizon Hobby autorisierten Händler, um sicherzugehen, dass Sie beste Spektrum Qualität erhalten. Horizon Hobby, LLC lehnt jedwede Haftung, Garantie und Serviceleistung in Bezug auf, aber nicht ausschließlich für, Kompatibilitäts- und Leistungsansprüche von gefälschten Produkten oder Produkten, die angeben mit Spektrum kompatibel zu sein, ab.

INHALTSVERZEICHNIS


Wassergeschütztes Fahrzeug mit wasserdichter Elektronik	15	Verwenden der Allradsteuerung	20
Packungsinhalt	16	Fahrzeugwartung	21
Erforderliches Zubehör	16	Spektrum Empfänger/Geschwindigkeitsregler-Kombination	22
Empfohlene Werkzeuge	16	Kalibrierung von Geschwindigkeitsregler und Sender	22
Erste-Schritte-Checkliste	17	Problemlösung	23
Fahrzeugteile	17	Eingeschränkte Garantie	24
Laden des Fahrzeug-Akkus	18	Garantie und Service Kontaktinformationen	24
Einsetzen der Senderbatterien	18	Konformitätshinweise für die Europäische Union	25
Funktionen des Senders	18	Teilelisten	54
Den Fahrzeug-Akku einsetzen	19	Empfohlen	55
Binden	20	Optionale teile	56
Reichweitentest für das Funksystem durchführen	20		

WASSERGESCHÜTZTES FAHRZEUG MIT WASSERDICHTER ELEKTRONIK

Ihr neues Horizon Hobby Fahrzeug wurde mit einer Kombination von wasserfesten und spritzwassergeschützten Komponenten ausgestattet, die den Betrieb des Fahrzeuges unter nassen Bedingungen inklusive Pfützen, Bächen, nassem Gras, Schnee oder sogar Regen ermöglichen.

Obwohl das Fahrzeug sehr wasserfest ausgelegt ist, ist es nicht vollständig wasserdicht und sollte NICHT wie ein U-Boot behandelt werden. Die verschiedenen elektronischen Komponenten wie der elektronische Fahrtregler (ESC), die Servos und Empfänger sind wasserdicht, die meisten mechanischen Komponenten sind nur wasserbeständig und sollten daher nicht untergetaucht werden.

Metallteile, inklusive Lager, Bolzen Schrauben und Muttern wie auch die Kontakte in den elektrischen Kabeln sind für Korrosion anfällig wenn nicht zusätzliche Wartung nach jedem Betrieb in feuchter/nasser Umgebung erfolgt. Um die Langzeitleistung und die Garantie ihres Fahrzeuges zu erhalten, müssen Sie die Wartung wie in der Wartungsanleitung nach Fahrten in nasser Umgebung beschrieben durchführen. Sollten Sie diese zusätzliche Wartung nicht ausführen wollen, dürfen Sie ihr Fahrzeug unter diesen Bedingungen nicht betreiben.

 **ACHTUNG:** Mangelnde Aufmerksamkeit bei dem Gebrauch dieses Produktes in Verbindung mit den folgenden Sicherheitshinweisen könnte zu Fehlfunktionen und zum Verlust der Garantie führen.

ALLGEMEINE SICHERHEITSHINWEISE

- Bitte lesen Sie sich die Wartungsanleitung nach Fahrten in nasser Umgebung sorgfältig durch und stellen sicher, dass Sie alle Werkzeuge für eine Wartung des Fahrzeuges haben.
- Sie können nicht alle Akkutypen für Fahrten in nasser Umgebung nutzen. Fragen Sie dazu vor dem Einsatz den Hersteller des Akkus. Achtsamkeit und Vorsicht ist notwendig wenn Sie LiPo Akkus in feuchten Umgebungen einsetzen.
- Die meisten Sender sind nicht wasserfest. Sehen Sie bitte dazu vor Inbetriebnahme in der Bedienungsanleitung ihres Senders nach oder kontaktieren Sie den Hersteller.
- Nehmen Sie niemals den Sender bei Blitzen oder Gewitter in Betrieb.
- Betreiben Sie ihr Fahrzeug nicht an Orten wo es in Kontakt mit Salzwasser oder verschmutzten, belasteten Gewässern kommen kann. Salzwasser ist sehr leitend und stark korrosionsfördernd, sein Sie daher sehr achtsam.
- Schon geringer Wasserkontakt kann den Motor beschädigen wenn er nicht für den Betrieb in Wasser ausgelegt ist. Sollte der Motor nass geworden sein geben Sie etwas Gas bis die meiste Feuchtigkeit vom Motor entfernt ist. Lassen Sie einen nassen Motor auf hoher Geschwindigkeit laufen wird dieses den Motor sehr schnell beschädigen.

- Fahren in nasser Umgebung kann die Lebenszeit des Motors reduzieren, da dieses den Motor stark beansprucht. Verändern Sie die Untersetzung zu einem kleinerem Ritzel oder größeren Zahnrad. Dieses erhöht das Drehmoment (und verlängert die Motorlebensdauer) bei dem Betrieb in Matsch, tieferen Pfützen oder anderen Bedingungen, die die Last des Motors für einen längeren Zeitraum erhöhen.

WARTUNGSANLEITUNG NACH FAHRTEN IN NASSER UMGEBUNG

- Entfernen Sie Wasser in den Reifen durch Gas geben. Nehmen Sie die Karosserie ab, drehen das Fahrzeug auf den Kopf und geben ein paar Mal kurz Vollgas bis das Wasser aus dem Reifen entfernt ist.



ACHTUNG: Halten Sie immer die Hände, Finger, Werkzeuge und andere lose oder hängende Objekte weg von drehenden Teilen wenn Sie diese Technik des Trocknens praktizieren.

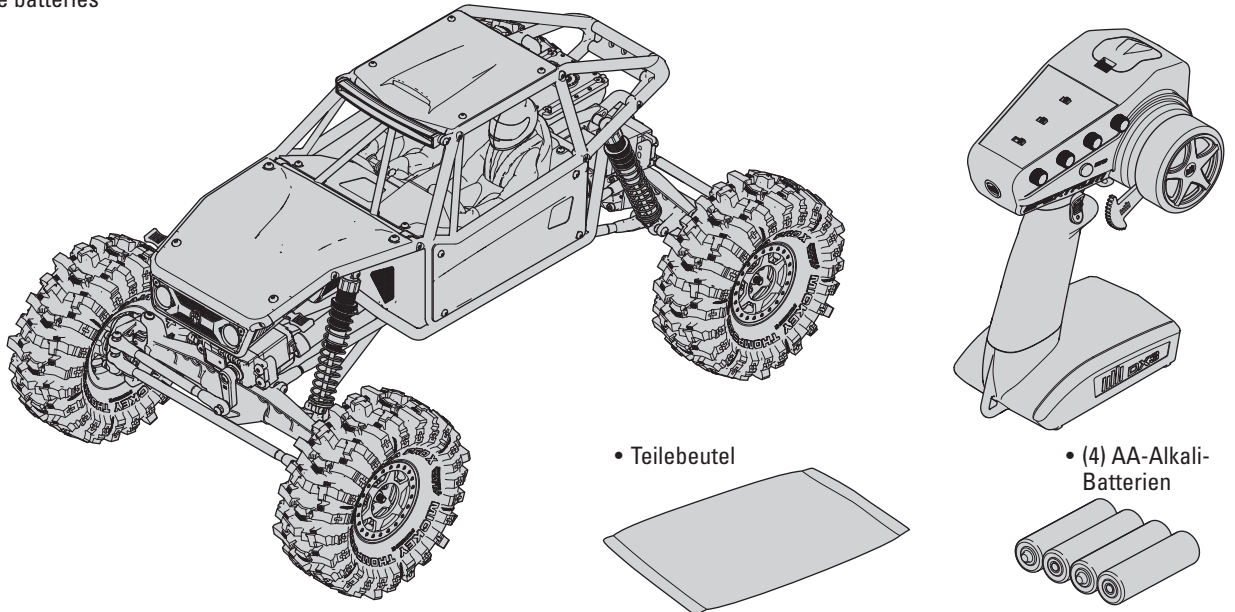
- Entfernen Sie die Akkupacks und trocknen die Kontakte. Sollten Sie einen Kompressor oder Druckluft zur Verfügung haben, blasen Sie damit das Wasser aus dem Motorgehäuse.
- Nehmen Sie die Reifen und Felgen vom Fahrzeug ab und spülen Sie vorsichtig mit einem Gartenschlauch ab. Vermeiden Sie die Lager oder den Antrieb direkt zu spülen.

HINWEIS: Verwenden Sie keinen Hochdruckreiniger um das Fahrzeug zu reinigen.

- Reinigen Sie das Fahrzeug mit Druckluft aus einem Kompressor oder einer Druckluftflasche und entfernen so das Wasser aus den Spalten und Ecken.
- Sprühen Sie alle Lager, Befestigungen und andere Metallteile mit einem wasserverdrängendem Leichtöl oder Schmiermittel ein. Sprühen Sie nicht den Motor ein.
- Lassen Sie das Fahrzeug vor dem Einlagern vollständig trocknen. Das Abtropfen von Wasser (und Öl) kann durchaus ein paar Stunden dauern.
- Erhöhen Sie die Wartungsintervalle (Demontage, Inspektion und schmieren) von folgenden Komponenten:
 - Vorder- und Hinterachse, Aufnahme und Lager.
 - Alle Antriebswellen Lager, Gehäuse, Getriebe und Differentiale.
 - Motor: reinigen Sie den Motor mit einen Aerosol Reiniger und ölen Sie dann die Lager mit leichtem Motoröl.

PACKUNGSINHALT

- Spektrum DX3 3Ch 2.4GHz Radio Transmitter (SPM2340)
- Capra™ 1.9 4WS Unlimited Trail Buggy RTR
 - 35T Electric Motor (AXI-1376)
 - S683 Metal Gear Servo 25T WP (SPMS683)
 - Spektrum™ Firma™ 40A Brushed Waterproof ESC, 2S-3S: IC3 (SPMXSE1040)
 - Spektrum™ SR515 DSMR 5-Channel Sport Receiver (SPMSR515)
- (4) AA Alkaline batteries

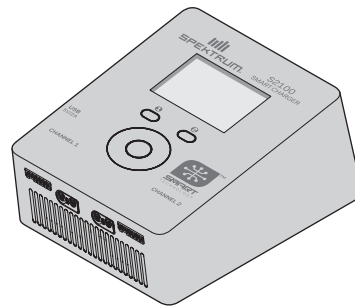
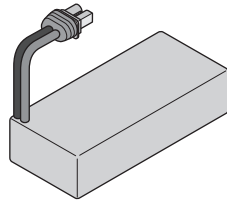


• Teilebeutel

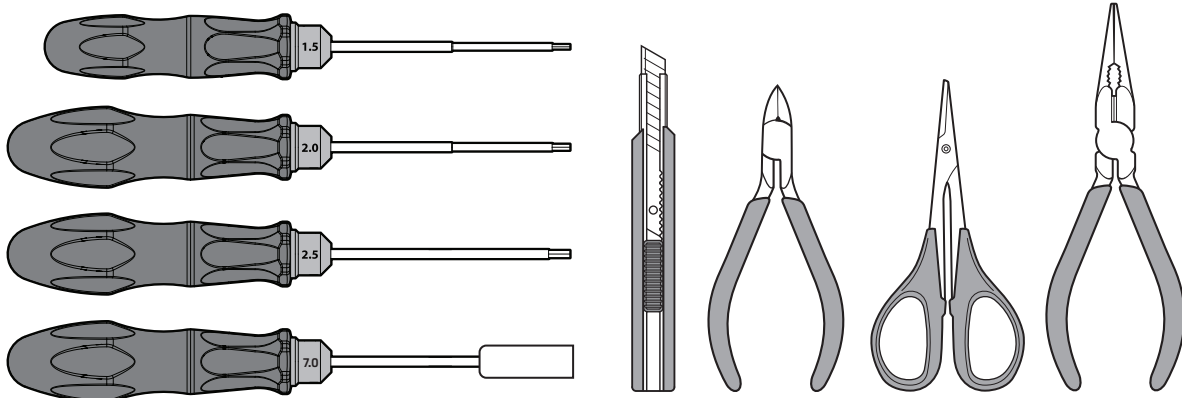
• (4) AA-Alkali-Batterien

ERFORDERLICHES ZUBEHÖR

- 2-3S Shorty LiPo-Akku (96 mm maximale Breite, IC3-Anschluss erforderlich)
- Akkuladegerät kompatibel mit dem gewählten Fahrzeugakku



EMPFOHLENE WERKZEUGE



- Hex Drivers (1.5, 2.0, 2.5mm)
- Nut Driver 7mm

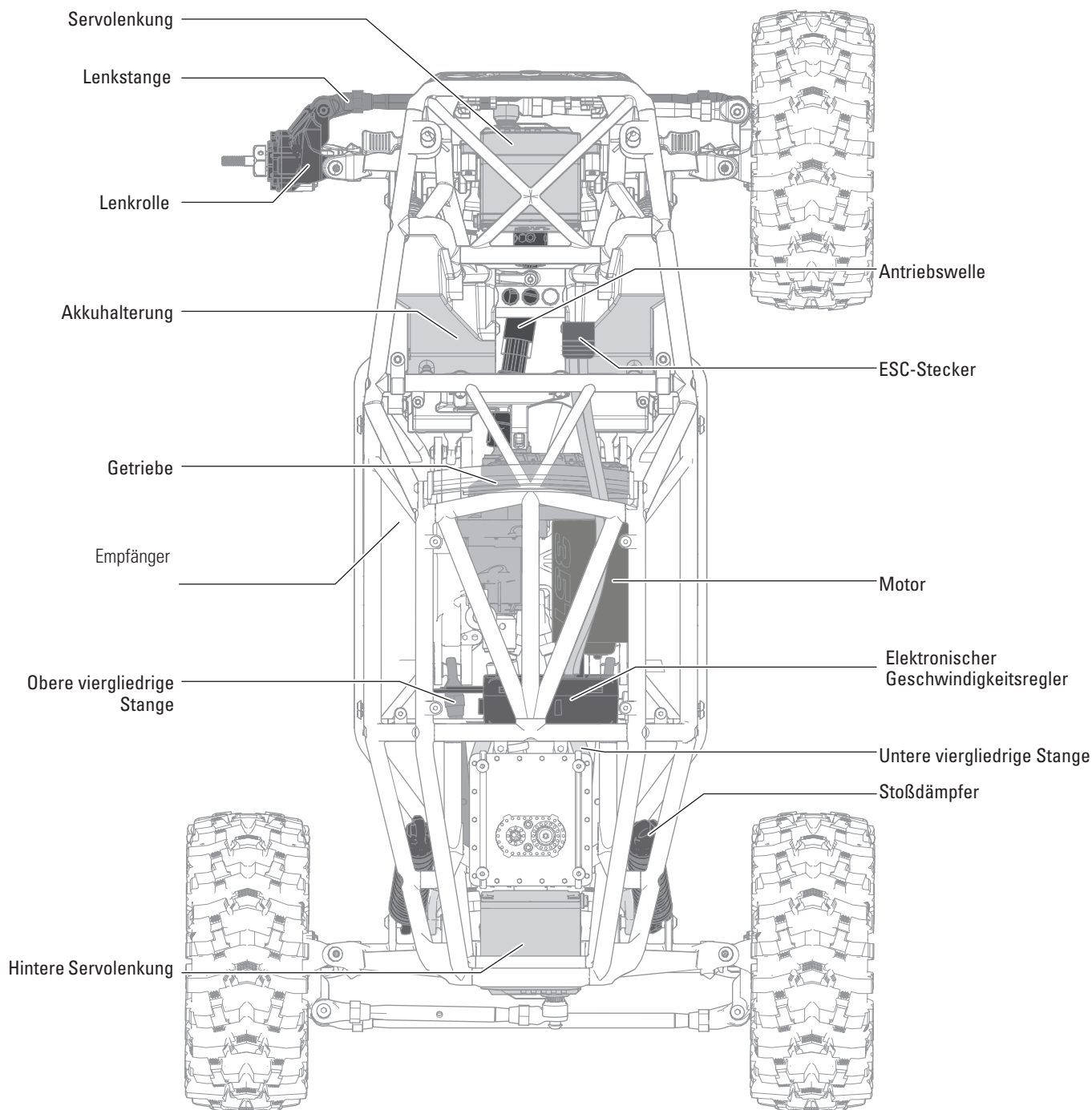
- Hobbymesser
- Seitenschneider
- Gebogene Schere
- Langnasenzange

ERSTE-SCHRITTE-CHECKLISTE

Lesen Sie das Handbuch
Machen Sie sich mit dem Fahrzeug und seinen Komponenten vertraut
Alle Schrauben, insbesondere die Feststellschrauben der Antriebswelle, werksseitig auf festen Sitz prüfen
Laden des Fahrzeug-Akkus
Die 4 AA-Batterien in den Sender einsetzen
Den Sender einschalten

Die Akkus in das Fahrzeug einsetzen
Überprüfen der ordnungsgemäßen Funktion der Gaszufuhr und der Lenkung
Reichweitentest für das Funksystem durchführen
Fahren Sie das Fahrzeug, fordern Sie sich selbst heraus und genießen Sie es!
Notwendige Wartungsmaßnahmen am Fahrzeug vornehmen

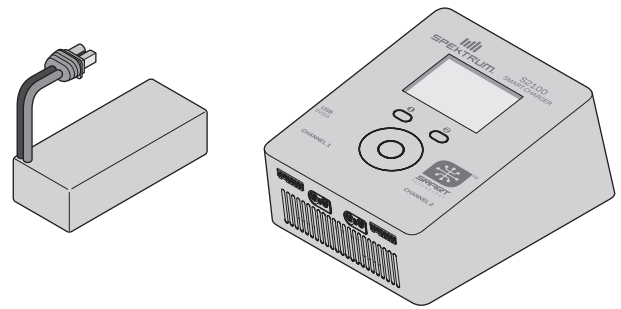
VEHICLE PARTS



LADEN DES FAHRZEUG-AKKUS

Befolgen Sie die Anweisungen des Herstellers Ihres Ladegeräts, um den Fahrzeug-Akku ordnungsgemäß zu laden.

⚠ ACHTUNG: Verwenden Sie nur Ladegeräte, die für das Laden des gewählten Akkutyps ausgelegt sind. Die Verwendung eines falschen Ladegeräts oder eine falsche Ladeeinstellung kann dazu führen, dass der Akku brennt oder explodiert.



EINSETZEN DER SENDERBATTERIEEN

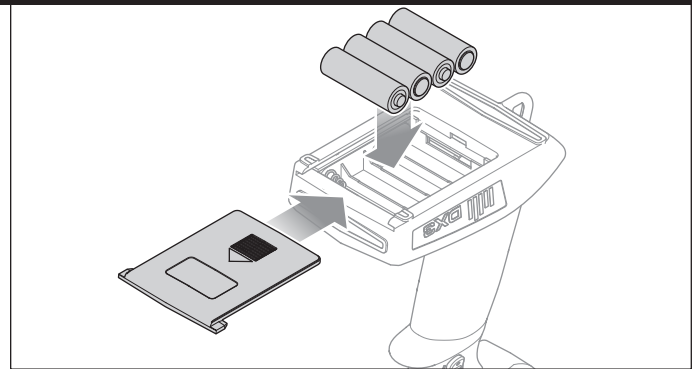
Für den Betrieb sind 4 AA Batterien erforderlich.

1. Nehmen Sie die Batterieklappe vom Sender ab.
2. Setzen Sie die Batterien wie abgebildet ein.
3. Setzen Sie die Batterieklappe wieder auf.

⚠ ACHTUNG: Entfernen Sie niemals Batterien aus dem Sender, während das Modell eingeschaltet ist. Ein Verlust der Kontrolle über das Modell, Schäden oder Verletzungen können auftreten.

⚠ ACHTUNG: Wenn Sie wiederaufladbare Akkus verwenden dürfen Sie nur diese laden. Das Laden von nicht aufladbaren Batterien könnte diese zur Explosion bringen, was Sach- und Personenschäden zur Folge haben könnte.

⚠ ACHTUNG: Es besteht Explosionsrisiko wenn die Akkus durch einen falschen Typ ersetzt werden. Entsorgen Sie verbrauchte Batterien den Vorschriften entsprechend.



FUNKTIONEN DES SENDERS

A/B. TASTE KANAL 3 (ALLRADSTEUERUNG)

C. THROTTLE/BRAKE (GAS/BREMSE)

D. STEUERRAD

E. STEUERRATE

Passet den Endpunkt der Steuerung an

F. BRAKE RATE

Adjusts the braking end point.

G. STEUERTRIMMUNG

Zur Anpassung des Steuermittelpunkts. Normalerweise wird die Steuertrimmung solange eingestellt, bis das Fahrzeug gerade in der Spur läuft.

H. GASTRIMMUNG

Zur Anpassung des Gasnullpunktes

I. LADEZUSTANDSANZEIGE SMART-AKKU

J. UMKEHREN DER SERVOLAUFRICHTUNG

Um den Kanal für die Gaszufuhr (TH) oder die Steuerung (ST) umzukehren, die Position des entsprechenden Schalters umschalten – „N“ steht für normal, „R“ für Umkehren.

K. BEGRENZUNG GASZUFUHR

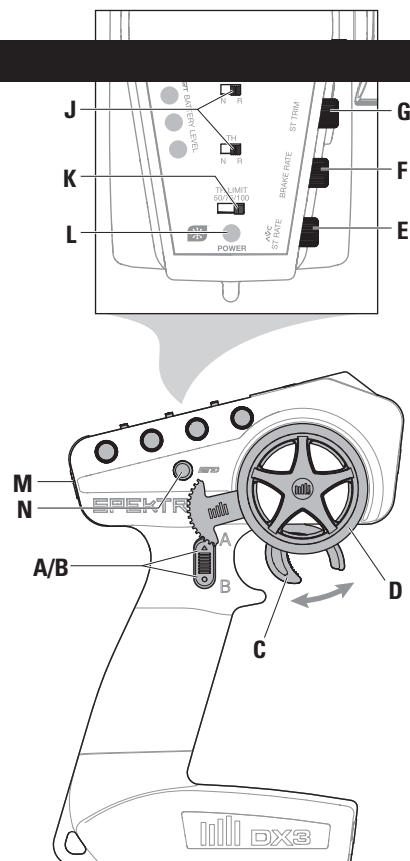
Begrenzt die Gaszufuhr auf 50/75/100 %
Wählen Sie 50 oder 75 % für Fahrer mit weniger Erfahrung oder wenn das Fahrzeug in einem kleinen Gebiet gefahren wird.

L. ANZEIGE-LEUCHTEN

- **Durchgängig rot:** Zeigt die Funkverbindung und die ausreichende Akkuladung an
- **Rot blinkend:** Zeigt an, dass die Akku-Spannung kritisch niedrig ist. Akkus ersetzen

M. EIN-/AUSSCHALTER

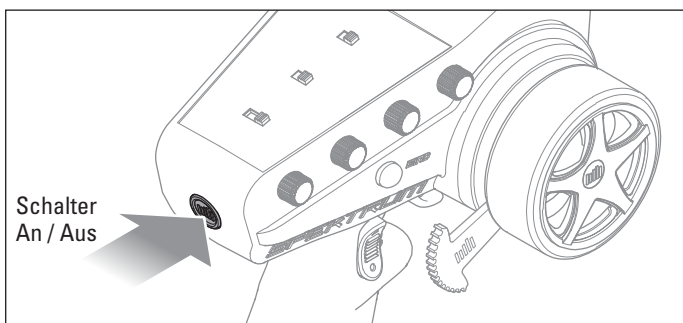
N. BINDUNGSSCHALTER



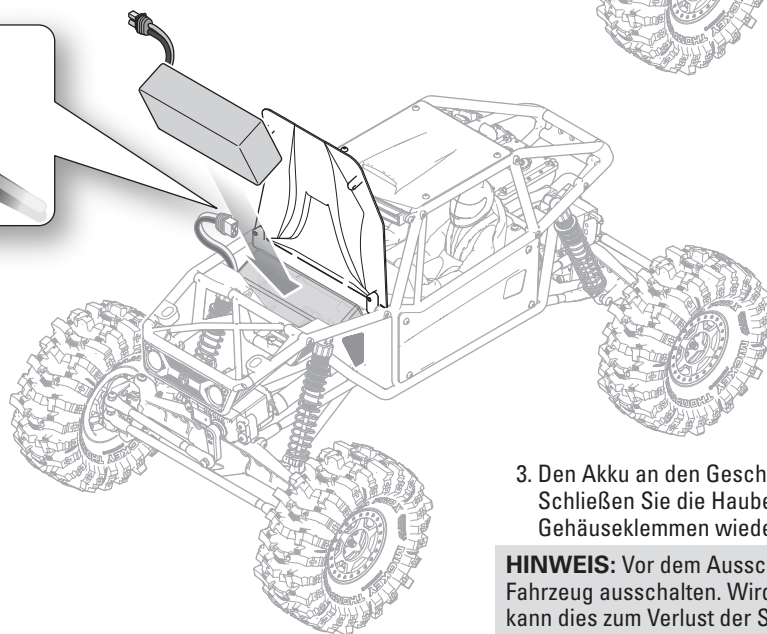
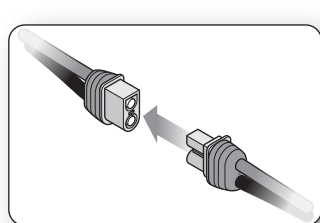
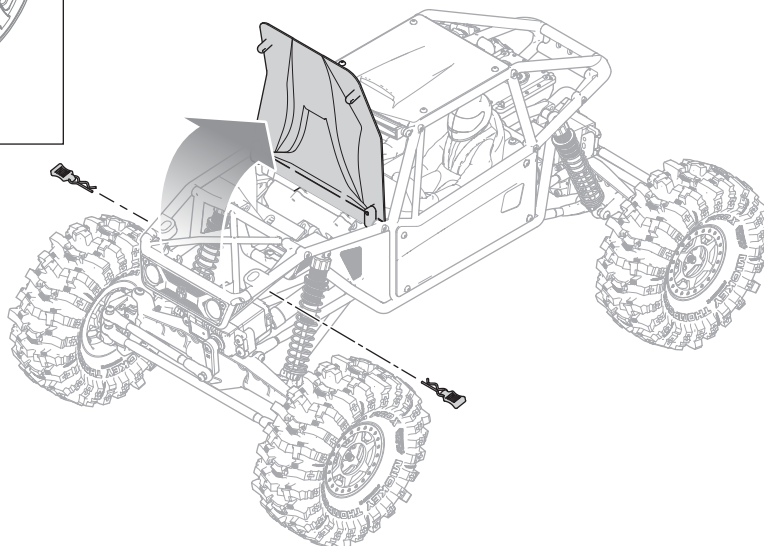
DEN FAHRZEUG-AKKU EINSETZEN

HINWEIS: Die Stromversorgung des Fahrzeugs wird gesteuert, in dem der Akku an den Geschwindigkeitsregler angeschlossen oder von ihm getrennt wird. Schalten Sie den Sender immer zuerst ein, bevor Sie den Fahrzeugakku anschließen. Bei Nichtgebrauch immer den Akku vom Geschwindigkeitsregler trennen.

1. Den Sender einschalten.



2. Die Gehäuseklemmen entfernen und die Haube öffnen.



3. Den Akku an den Geschwindigkeitsregler anschließen. Schließen Sie die Haube und setzen Sie die Gehäuseklemmen wieder ein.

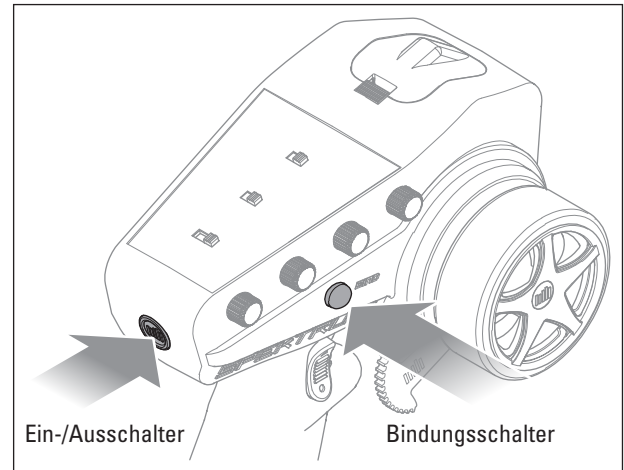
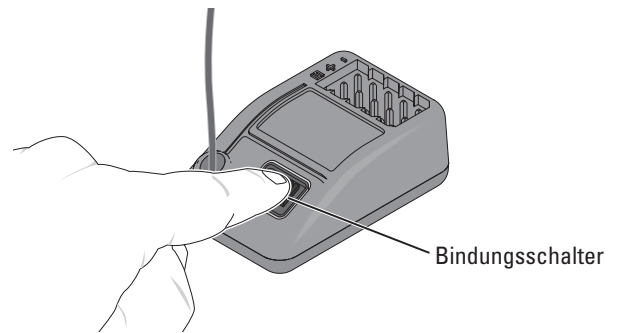
HINWEIS: Vor dem Ausschalten des Senders immer das Fahrzeug ausschalten. Wird der Sender zuerst ausgeschaltet, kann dies zum Verlust der Steuerung führen.

BINDEN

Das Binden ist der Vorgang, durch den der Empfänger darauf programmiert wird, den GUID-Code (Globally Unique Identifier) eines einzelnen Senders zu erkennen. Der Sender und der Empfänger sind werkseitig gebunden. Muss eine erneute Bindung durchgeführt werden, so ist die nachfolgende Anleitung zu befolgen.

1. Ein voll aufgeladenes Akkupack mit dem Geschwindigkeitsregler verbinden.
2. Den Bindungsschalter am Empfänger gedrückt halten.
3. Den Empfänger einschalten. Die rote LED blinkt und zeigt an, dass sich der Empfänger im Bindungsmodus befindet. Den Bindungsschalter loslassen, nachdem die orangefarbene LED zu blinken beginnt.
4. Der Gasauslöser befindet sich in Neutral, den Bindungsschalter des Senders während des Einschaltens gedrückt halten, um den Sender in den Bindungsmodus zu versetzen. Gas sollte auf Neutral stehen, um Failsafe einzurichten.
5. Der Bindungsvorgang ist abgeschlossen, wenn die orangefarbene LED auf dem Empfänger beständig leuchtet.

Ein erneutes Binden muss durchgeführt werden, wenn andere Failsafe-Positionen erforderlich sind, z. B. wenn Gas oder Steuerung umgekehrt wurden.



REICHWEITENTEST FÜR DAS FUNKSYSTEM DURCHFÜHREN

Das Funksystem sollte vor dem Betrieb des Fahrzeugs überprüft werden, um einen ordnungsgemäßen Betrieb und eine ausreichende Reichweite zu gewährleisten.

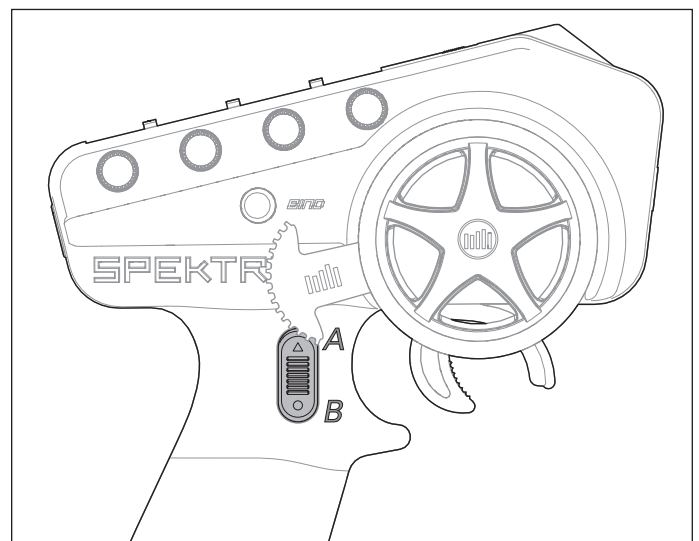
1. Den Sender einschalten.
2. Den Akku an das Fahrzeug anschließen.
3. Bitte Sie jemanden das Fahrzeug zu halten, damit Sie Hände und lose Kleidung von beweglichen Teilen fernhalten können.
4. Bewegen Sie sich so weit vom Fahrzeug weg, bis Sie den maximal geplanten Betriebsabstand zum Fahrzeug erreicht haben.
5. Drehen Sie das Steuerrad von einer Seite zur anderen und betätigen Sie die Gaszufuhr, sowohl vorwärts als auch rückwärts, und achten Sie darauf, ob Sie irgendein unregelmäßiges Verhalten bemerken.
6. Wenn ein unregelmäßiges Verhalten auftritt, dürfen Sie das Fahrzeug NICHT zum Einsatz bringen. Wenden Sie sich in diesem Fall an den Kundendienst.



VERWENDEN DER ALLRADSTEUERUNG

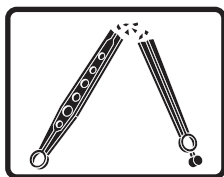
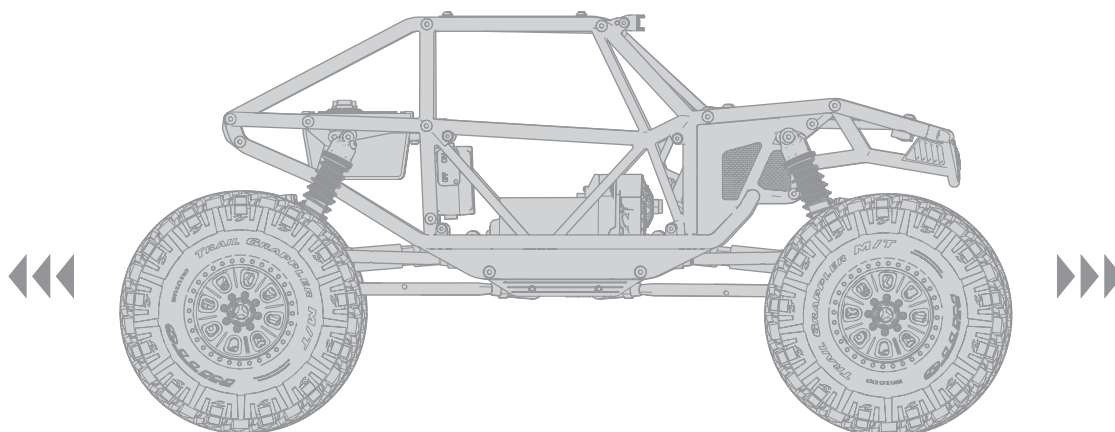
Das Fahrzeug verfügt über eine Allradsteuerung (4-Wheel-Steering), die Hinterräder werden über den A/B-Senderschalter gesteuert. Um die Steuerung zu aktivieren, verwenden Sie den 3-Positionen-Momentanmodus.

- Die Hinterräder werden mithilfe des A/B-Schalters am Sender gesteuert.
- Halten Sie entweder A oder B gedrückt, um die hintere Lenkung um 100 % in eine der beiden Richtungen zu drehen.
- Lassen Sie den Schalter los, um die hintere Lenkung wieder in die Mitte zu bringen.

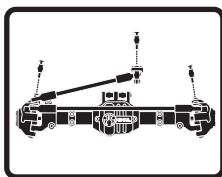


FAHRZEUGWARTUNG

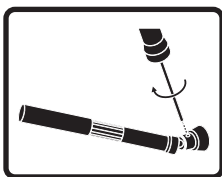
Genau wie bei einem richtigen Auto oder LKW muss Ihr RC-Fahrzeug regelmäßig gewartet werden, um eine hohe Leistungsfähigkeit zu gewährleisten. Vorbeugende Wartung hilft auch, unnötige Ausfälle zu vermeiden, die zu kostspieligen Reparaturen führen können. Nachfolgend finden Sie einige Vorschläge zur ordnungsgemäßen Wartung Ihres Fahrzeugs.



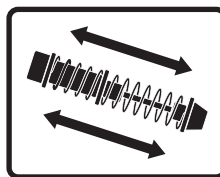
Ersetzen Sie alle erkennbaren gebogenen oder gebrochenen Teile



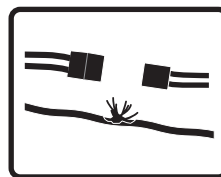
Überprüfen Sie den Verschleiß der Kugelgelenke an den Lenkgliedern und Aufhängungen (ggf. austauschen)



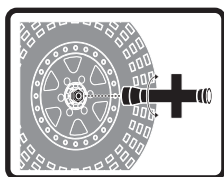
Die Einstellung der Schrauben für die Antriebswelle prüfen und ggf. Gewindegewichte anbringen



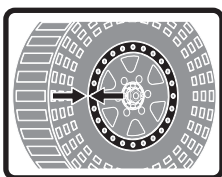
Die Stoßdämpfer auf reibungslosen, gedämpften Betrieb prüfen



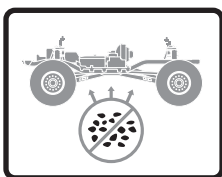
Überprüfen, ob lose Verbindungen oder ausgefranste Kabel vorhanden sind



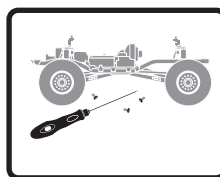
Die Radmuttern auf festen Sitz prüfen



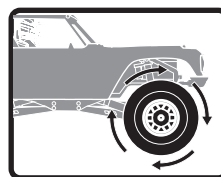
Sicherstellen, dass die Radflanschen noch fest über den gesamten Umfang der Felge verbunden sind



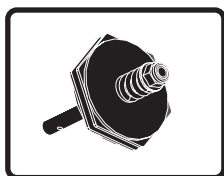
Die Karosserie frei von Schmutz und Ablagerungen halten



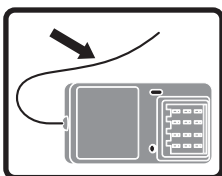
Die Karosserie auf lose Schrauben überprüfen, insbesondere die Schrauben für Achsschenkel, C-Naben und Achsausgänge



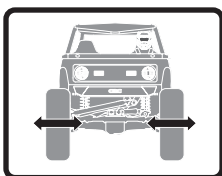
Überprüfen des Antriebsstrangs auf einen reibungslosen, bindungsfreien Betrieb



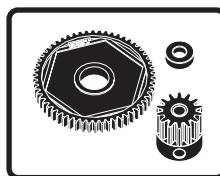
Ggf. die Gleitkupplung auf ihre einwandfreie Funktion überprüfen



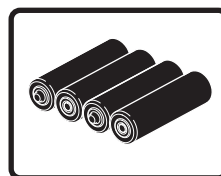
Die Empfängerantenne auf Beschädigungen prüfen



Die Lenkfunktion auf eine mögliche Bindung überprüfen

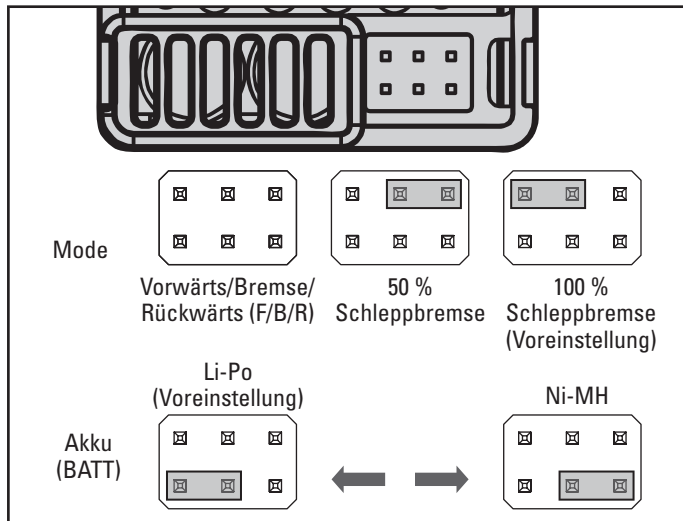
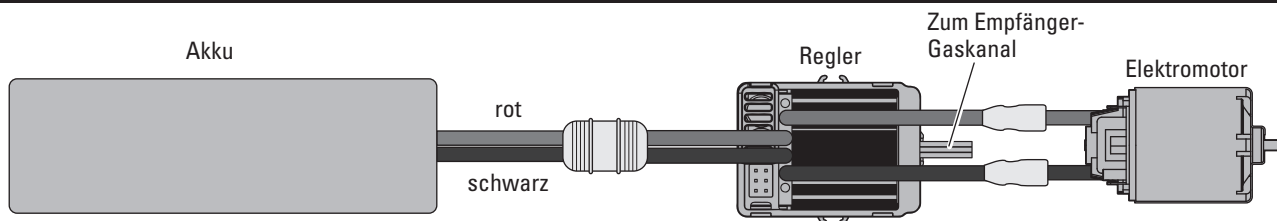


Überprüfen des Stirnrads und der Ritzelräder auf Beschädigungen



Die Sender-Akkus ersetzen, wenn der Sender dies, wie im Abschnitt Senderfunktionen beschrieben, anzeigt

FIRMA GESCHWINDIGKEITSREGLER 40A



KONFIGURATION

Die Gaszufuhrkalibrierung ist nicht direkt nach dem Auspacken erforderlich. Um allerdings den Gaszufuhrbereich verschiedener Sender einzustellen, ist die Kalibrierung des Geschwindigkeitsregler notwendig:

- Bei der Befestigung des Geschwindigkeitsreglers darauf achten, dass Sie sich in einer gut belüfteten und vibrations- und stoßfreien Umgebung befinden.
- Die Motorkabel des Geschwindigkeitsreglers an den Motor rot-rot und schwarz-schwarz anschließen.
- Den Geschwindigkeitsregler mit dem Gaskanal des Empfängers verbinden.
- Bevor der Akku in den Geschwindigkeitsregler eingesteckt wird, sicherstellen, dass der Sender eingeschaltet ist und die Gastrimmung auf Null steht.
- Den Akku an den Geschwindigkeitsregler anschließen. Das Fahrzeug wird eingeschaltet, wenn der Akku angeschlossen ist.

ACHTUNG: Alle Körperteile und lose Kleidung von beweglichen Teilen fernhalten, wenn der Akku mit dem Geschwindigkeitsregler verbunden ist.

ACHTUNG: Den Geschwindigkeitsregler immer nur an eine geeignete Stromquelle mit der richtigen Spannung und Polarität anschließen. Falsche Spannungen oder umgekehrte Polarität führen zu Schäden am Geschwindigkeitsregler. Schäden am Geschwindigkeitsregler, die durch unsachgemäße Spannung oder Polarität verursacht werden, fallen nicht unter die Garantie.

- Mit dem Sender die Vorwärts- und Rückwärtssteuerung testen.

SPEZIFIKATIONEN

Typ	Bürstenmotor
Dauerstrom/Spitzenstrom	40A/180A
Widerstand	0,002 Ohm
Funktion	Vorwärts/Bremse/Rückwärts, Vorwärts/Bremse, Vorwärts/Rückwärts (Crawler-Modus)
Fahrzeugtyp	1/10 On-Road und Off-Road; 1/10 Rock Crawler
Betrieb	Proportional vorwärts, proportional rückwärts mit Bremsverzögerung, Crawler-Modus
Akkutyp/Eingangsspannung	2-3 Zellen-Li-Po/Li-Fe; 5-9 Zellen Ni-MH/Ni-Cd
Motortyp	2S Li-Po bis zu 12T; 3S Li-Po bis zu 18T
BEC-Ausgang	6 V/3A
Abmessungen	46,5mm x 34mm x 28,5mm
Gewicht	70g
Akku-Anschluss	IC3-Anschluss

TONANZEIGE

BETRIEB	TÖNE
Ni-MH/Ni-CD-Akku	1 kurzer Piepton
2S Li-Po-Akku	2 kurze Pieptöne
3S Li-Po-Akku	3 kurze Pieptöne
Geschwindigkeitsregler bereit	1 langer Piepton

UM DEN GESCHWINDIGKEITSREGLER ZU KALIBRIEREN:

- Den Sender einschalten und die Gaszufuhr auf Neutralposition stellen.
- Den Akku an den Geschwindigkeitsregler anschließen und 3 Sekunden warten, bis der Geschwindigkeitsregler einen Selbsttest und eine automatische Gaszufuhrkalibrierung eingeleitet hat.
- Der Geschwindigkeitsregler ist betriebsbereit, wenn ein langer Signalton vom Motor ausgegeben wird.
- Den Akku immer abklemmen, wenn das Fahrzeug nicht in Gebrauch ist.

WICHTIG: Die LiPo-Abschaltung ist werksseitig auf „EIN“ eingestellt.

PROBLEMLÖSUNG

PROBLEM	MÖGLICHE URSACHE	LÖSUNG
Das System verbindet sich nicht	Der Sender und der Empfänger sind zu nah aneinander	Den Sender 2,44 bis 3,66 m vom Empfänger entfernt verschieben
	Sie sind in der Nähe von Metallobjekten	In einen Bereich mit weniger Metall gehen
	Der Empfänger ist an einen anderen Modellspeicher gebunden	Sicherstellen, dass der korrekte Modellspeicher im Sender aktiv ist
	Der Sender wurde in den Bindungsmodus versetzt und ist nicht länger mit dem Empfänger gebunden	Den Sender und Empfänger erneut binden und dann erneut kalibrieren
Der Empfänger schaltet sich in Failsafe, obwohl er sich in geringer Entfernung zum Sender befindet	Auf Schäden an der Empfängerantenne prüfen	Sicherstellen, dass die Empfängerantenne geschützt und so hoch wie praktikabel positioniert ist Empfänger ersetzen oder den Horizon-Kundendienst kontaktieren
Der Empfänger reagiert während des Betriebs nicht mehr	Niedrige Empfänger-Akkuspannung. Ist die Akku-Spannung niedrig, kann sie kurzzeitig unter 3,5 V fallen und so einen Spannungsabfall im Empfänger verursachen, sich dann erneut verbinden	Den Akku von Empfänger oder Fahrzeug aufladen. Die Spektrum-Empfänger erfordern für den Betrieb mindestens 3,5 V
	Lose oder beschädigte Kabel oder Stecker zwischen Akku und Empfänger	Die Kabel und Verbindungen zwischen Akku und Empfänger überprüfen. Kabel und/oder Stecker reparieren oder ersetzen
Fahrzeug bewegt sich nicht	Die Akkus sind nicht richtig in den Sender eingesetzt	Sicherstellen, dass die Sender-Akkus richtig eingesetzt sind
	Schwacher oder kein Akku im Fahrzeug	Einsetzen eines neu aufgeladenen Fahrzeug-Akkus
	Beschädigter Motor	Motor ersetzen
	Ausgefranzte oder gebrochene Kabel	Jedes beschädigte Kabel ersetzen
Schaden an/Verlust der Fahrzeugsteuerung	Geschwindigkeitsregler wird durch Hitzeschutzschaltung abgeschaltet	Den Geschwindigkeitsregler vollständig abkühlen lassen
	Unsachgemäße Positionierung der Antenne	Sicherstellen, dass die Senderantenne nicht blockiert ist und die Empfängerantenne richtig positioniert ist
	Schwacher oder kein Akku im Sender oder Fahrzeug	Einsetzen eines neu aufgeladenen Fahrzeug- oder Sender-Akkus
	Neutral- oder Trimmposition ist falsch	Steuertrimmung ausrichten
Steuer- und/oder Gaszufuhrfunktion ist vertauscht	Empfänger und/oder Akku nicht richtig angeschlossen	Alle Empfänger- und Akku-Verbindungen überprüfen
	Der Servo-Verfahrweg ist umgekehrt am Sender	Den Servoumkehrschalter des Senders in die richtige Position bringen
Geschwindigkeitsregler EIN – Keine Motorfunktion, hörbare Töne oder LED	Motorkabel sind nicht ordnungsgemäß verbunden	Überprüfen aller Motorkabel auf korrekte Polarität und sichere Verbindung
	Akku-/Verbindungsproblem	Akku aufladen/ersetzen. Alle Verbindungen sichern
	Beschädigter Geschwindigkeitsregler/Schalter	Geschwindigkeitsregler-Schalter/Geschwindigkeitsregler reparieren/ersetzen
Motor – Stoppt und LED blinkt	Beschädigter Motor	Reparieren/ersetzen
	Verpolungsschutz	Wenn die Geschwindigkeitsregler-LED blinkt, Akku laden/ersetzen
Motor – Beschleunigt ungleichmäßig	Überhitzungsschutz	Wenn die grüne LED blinkt, den Geschwindigkeitsregler/Motor abkühlen lassen, Konfiguration oder Übersetzung ändern, damit Überhitzung vermieden wird
	Akku-Problem	Beschädigte Kabel reparieren/Akkus ersetzen
	Falsche Getriebeübersetzung	Getriebe anpassen/ersetzen
Motor – Reagiert nicht kontinuierlich auf Gas	Verschlissener oder beschädigter Motor	Motor reparieren/ersetzen
	Geschwindigkeitsregler/Motor beschädigt	Verkabelung oder Motor/Geschwindigkeitsregler reparieren/ersetzen
Motor – Wird langsamer, stoppt aber nicht–	Falsche Kalibrierung von Sender/Geschwindigkeitsregler	Gasweg/andere Gaseinstellungen auf Sender/Geschwindigkeitsregler anpassen. Kalibrierungsverfahren des Geschwindigkeitsreglers wiederholen
Servolenkung – Funktioniert; Motor nicht in Betrieb	Beschädigter Motor	Motor unabhängig vom Fahrzeugsystem testen, bei Bedarf Motor reparieren/ersetzen
	Falsche Kalibrierung von Sender/Geschwindigkeitsregler	Gasweg/andere Gaseinstellungen auf Sender/Geschwindigkeitsregler anpassen. Kalibrierungsverfahren des Geschwindigkeitsreglers wiederholen
Steuerung/Motor – Funktioniert nicht	Niedrige Akkuspannung	Aufladen/ersetzen
	Falscher Modellspeicher auf Sender ausgewählt	Korrekte Modelleinstellungen auf dem Sender wählen, siehe Sender- und/oder Empfänger-Handbuch
	Empfänger nicht am Sender gebunden	Sender am Empfänger binden, siehe Sender- und/oder Empfänger-Handbuch
Fahrzeug – Funktioniert nicht auf voller Geschwindigkeit	Akku-Problem	Aufladen/ersetzen
	Falsche Kalibrierung von Sender/Geschwindigkeitsregler	Gasweg/andere Gaseinstellungen auf Sender/Geschwindigkeitsregler anpassen. Kalibrierungsverfahren des Geschwindigkeitsreglers wiederholen

EINGESCHRÄNKTE GARANTIE

Warnung

Ein ferngesteuertes Modell ist kein Spielzeug. Es kann, wenn es falsch eingesetzt wird, zu erheblichen Verletzungen bei Lebewesen und Beschädigungen an Sachgütern führen. Betreiben Sie Ihr RC-Modell nur auf freien Plätzen und beachten Sie alle Hinweise der Bedienungsanleitung des Modells wie auch der Fernsteuerung.

Garantiezeitraum

Exklusive Garantie Horizon Hobby LLC (Horizon) garantiert, dass das gekaufte Produkt frei von Material- und Montagefehlern ist. Der Garantiezeitraum entspricht den gesetzlichen Bestimmungen des Landes, in dem das Produkt erworben wurde. In Deutschland beträgt der Garantiezeitraum 6 Monate und der Gewährleistungszeitraum 18 Monate nach dem Garantiezeitraum.

Einschränkungen der Garantie

- (a) Die Garantie wird nur dem Erstkäufer (Käufer) gewährt und kann nicht übertragen werden. Der Anspruch des Käufers besteht in der Reparatur oder dem Tausch im Rahmen dieser Garantie. Die Garantie erstreckt sich ausschließlich auf Produkte, die bei einem autorisierten Horizon Händler erworben wurden. Verkäufe an Dritte werden von dieser Garantie nicht gedeckt. Garantieansprüche werden nur angenommen, wenn ein gültiger Kaufnachweis erbracht wird. Horizon behält sich das Recht vor, diese Garantiebestimmungen ohne Ankündigung zu ändern oder modifizieren und widerruft dann bestehende Garantiebestimmungen.
- (b) Horizon übernimmt keine Garantie für die Verkaufbarkeit des Produktes, die Fähigkeiten und die Fitness des Verbrauchers für einen bestimmten Einsatzzweck des Produktes. Der Käufer allein ist dafür verantwortlich, zu prüfen, ob das Produkt seinen Fähigkeiten und dem vorgesehenen Einsatzzweck entspricht.
- (c) Ansprüche des Käufers → Es liegt ausschließlich im Ermessen von Horizon, ob das Produkt, bei dem ein Garantiefall festgestellt wurde, repariert oder ausgetauscht wird. Dies sind die exklusiven Ansprüche des Käufers, wenn ein Defekt festgestellt wird.

Horizon behält sich vor, alle eingesetzten Komponenten zu prüfen, die in den Garantiefall einbezogen werden können. Die Entscheidung zur Reparatur oder zum Austausch liegt nur bei Horizon. Die Garantie schließt kosmetische Defekte oder Defekte, hervorgerufen durch höhere Gewalt, falsche Behandlung des Produktes, falscher Einsatz des Produktes, kommerziellen Einsatz oder Modifikationen irgendwelcher Art aus.

Die Garantie schließt Schäden, die durch falschen Einbau, falsche Handhabung, Unfälle, Betrieb, Service oder Reparaturversuche, die nicht von Horizon ausgeführt wurden aus.

Ausgeschlossen sind auch Fälle die bedingt durch (vii) eine Nutzung sind, die gegen geltendes Recht, Gesetze oder Regularien verstoßen haben. Rücksendungen durch den Käufer direkt an Horizon oder eine seiner Landesvertretungen bedürfen der Schriftform.

Schadensbeschränkung

Horizon ist nicht für direkte oder indirekte Folgeschäden, Einkommensausfälle oder kommerzielle Verluste, die in irgendeinem Zusammenhang mit dem Produkt stehen verantwortlich, unabhängig ob ein Anspruch im Zusammenhang mit einem Vertrag, der Garantie oder der Gewährleistung erhoben werden. Horizon wird darüber hinaus keine Ansprüche aus einem Garantiefall akzeptieren, die über den individuellen Wert des Produktes hinaus gehen. Horizon hat keinen Einfluss auf den Einbau, die Verwendung oder die Wartung des Produktes oder etwaiger Produktkombinationen, die vom Käufer gewählt werden. Horizon übernimmt keine Garantie und akzeptiert keine Ansprüche für in der Folge auftretende Verletzungen oder Beschädigungen. Mit der Verwendung und dem Einbau des Produktes akzeptiert der Käufer alle aufgeführten Garantiebestimmungen ohne Einschränkungen und Vorbehalte.

Wenn Sie als Käufer nicht bereit sind, diese Bestimmungen im Zusammenhang mit der Benutzung des Produktes zu akzeptieren, werden Sie gebeten, das Produkt in unbenutztem Zustand in der Originalverpackung vollständig bei dem Verkäufer zurückzugeben.

Sicherheitshinweise

Dieses ist ein hochwertiges Hobby Produkt und kein Spielzeug. Es muss mit Vorsicht und Umsicht eingesetzt werden und erfordert einige mechanische wie auch mentale Fähigkeiten. Ein Versagen, das Produkt sicher und umsichtig zu betreiben kann zu Verletzungen von Lebewesen und Sachbeschädigungen erheblichen Ausmaßes führen. Dieses Produkt ist nicht für den Gebrauch durch Kinder ohne die Aufsicht eines Erziehungsberechtigten vorgesehen. Die Anleitung enthält Sicherheitshinweise und Vorschriften sowie Hinweise für die Wartung und den Betrieb des Produktes. Es ist unabdingbar, diese Hinweise vor der ersten Inbetriebnahme zu lesen und zu verstehen. Nur so kann der falsche Umgang verhindert und Unfälle mit Verletzungen und Beschädigungen vermieden werden.

Fragen, Hilfe und Reparaturen

Ihr lokaler Fachhändler und die Verkaufsstelle können eine Garantiebeurteilung ohne Rücksprache mit Horizon nicht durchführen. Dies gilt auch für Garantireparaturen. Deshalb kontaktieren Sie in einem solchen Fall den Händler, der sich mit Horizon kurz schließen wird, um eine sachgerechte Entscheidung zu fällen, die Ihnen schnellst möglich hilft.

Wartung und Reparatur

Muss Ihr Produkt gewartet oder repariert werden, wenden Sie sich entweder an Ihren Fachhändler oder direkt an Horizon.

Rücksendungen / Reparaturen werden nur mit einer von Horizon vergebenen RMA Nummer bearbeitet. Diese Nummer erhalten Sie oder ihr Fachhändler vom technischen Service. Mehr Informationen dazu erhalten Sie im Serviceportal unter www.horizonhobby.de oder telefonisch bei dem technischen Service von Horizon.

Packen Sie das Produkt sorgfältig ein. Beachten Sie, dass der Originalkarton in der Regel nicht ausreicht, um beim Versand nicht beschädigt zu werden. Verwenden Sie einen Paketdienstleister mit einer Tracking Funktion und Versicherung, da Horizon bis zur Annahme keine Verantwortung für den Versand des Produktes übernimmt. Bitte legen Sie dem Produkt einen Kaufbeleg bei, sowie eine ausführliche Fehlerbeschreibung und eine Liste aller eingesendeten Einzelkomponenten. Weiterhin benötigen wir die vollständige

Garantie und Reparaturen

Garantieanfragen werden nur bearbeitet, wenn ein Originalkaufbeleg von einem autorisierten Fachhändler beiliegt, aus dem der Käufer und das Kaufdatum hervorgeht. Sollte sich ein Garantiefall bestätigen wird das Produkt repariert oder ersetzt. Diese Entscheidung obliegt einzig Horizon Hobby.

Kostenpflichtige Reparaturen

Liegt eine kostenpflichtige Reparatur vor, erstellen wir einen Kostenvorschlag, den wir Ihrem Händler übermitteln. Die Reparatur wird erst vorgenommen, wenn wir die Freigabe des Händlers erhalten. Der Preis für die Reparatur ist bei Ihrem Händler zu entrichten. Bei kostenpflichtigen Reparaturen werden mindestens 30 Minuten Werkstattzeit und die Rückversandkosten in Rechnung gestellt. Sollten wir nach 90 Tagen keine Einverständniserklärung zur Reparatur vorliegen haben, behalten wir uns vor, das Produkt zu vernichten oder anderweitig zu verwerten.

ACHTUNG: Kostenpflichtige Reparaturen nehmen wir nur für Elektronik und Motoren vor. Mechanische Reparaturen, besonders bei Hubschraubern und RC-Cars sind extrem aufwendig und müssen deshalb vom Käufer selbst vorgenommen werden.

10/15

GARANTIE UND SERVICE KONTAKTINFORMATIONEN

LAND DES KAUF	HORIZON HOBBY	TELEFON/E-MAIL ADRESSE	ADRESSE
Europäische Union	Horizon Technischer Service Sales: Horizon Hobby GmbH	service@horizonhobby.de +49 (0) 4121 2655 100	Hanskampring 9 D 22885 Barsbüttel, Germany

KONFORMITÄTSHINWEISE FÜR DIE EUROPÄISCHE UNION

CE EU KONFORMITÄTSERKLÄRUNG Axial Capra 1.9 4WS Trail Buggy RTR (AXI-1543)

Hiermit erklärt Horizon Hobby, LLC, dass das Gerät den folgenden Richtlinien entspricht: EU-Richtlinie über Funkanlagen 2014/53/EU; RoHS 2-Richtlinie 2011/65 / EU; RoHS 3-Richtlinie - Änderung 2011/65 / EU-Anhang II 2015/863.

Der vollständige Text der EU-Konformitätserklärung ist unter folgender Internetadresse abrufbar: <https://www.horizonhobby.com/content/support-render-compliance>.

HINWEIS: Dieses Produkt enthält Batterien, die unter die europäische Richtlinie 2006/66 / EG fallen und nicht mit dem Hausmüll entsorgt werden können. Bitte beachten Sie die örtlichen Vorschriften.

Drahtloser Frequenzbereich / Drahtlose Ausgangsleistung

Sender

2402.0 - 2478.0 MHz

17.7 dBm

Empfänger

2404-2476 MHz

-1.33dBm

Offizieller EU-Hersteller:

Horizon Hobby, LLC
2904 Research Road
Champaign, IL 61822 USA

Offizieller EU-Importeur:

Horizon Hobby, GmbH
Hanskampring 9
22885 Barsbüttel Germany

WEEE-HINWEIS:



Dieses Gerät ist gemäß der Europäischen Richtlinie 2012/19/EU über Elektro- und Elektronik-Altgeräte (WEEE) gekennzeichnet. Dieses Symbol weist darauf hin, dass dieses Produkt kein normaler Haushaltsabfall ist, sondern in einer entsprechenden Sammelstelle für Elektro- und Elektronik-Altgeräte entsorgt werden muss.

REMARQUE

Toutes les instructions, garanties et autres documents de garantie sont sujets à la seule discrétion de Horizon Hobby, LLC. Veuillez, pour une littérature produits bien à jour, visiter www.horizonhobby.com ou www.towerhobbies.com et cliquer sur l'onglet de support de ce produit.


SIGNIFICATION DE CERTAINS TERMES SPÉCIFIQUE

Les termes suivants sont utilisés dans l'ensemble du manuel pour indiquer différents niveaux de danger lors de l'utilisation de ce produit :

AVERTISSEMENT : Procédures qui, si elles ne sont pas suivies correctement, peuvent entraîner des dégâts matériels et des blessures graves OU engendrer une probabilité élevée de blessure superficielle.

ATTENTION : Procédures qui, si elles ne sont pas suivies correctement, peuvent entraîner des dégâts matériels ET des blessures graves.

REMARQUE : Procédures qui, si elles ne sont pas suivies correctement, peuvent entraîner des dégâts matériels ET éventuellement un faible risque de blessures.

 **AVERTISSEMENT** : Lisez la TOTALITÉ du manuel d'utilisation afin de vous familiariser avec les caractéristiques du produit avant de le faire fonctionner. Une utilisation incorrecte du produit peut entraîner sa détérioration, ainsi que des risques de dégâts matériels, voire de blessures graves.

Ceci est un produit de loisirs sophistiqué. Il doit être manipulé avec prudence et bon sens et requiert des aptitudes de base en mécanique. Toute utilisation irresponsable de ce produit ne respectant pas les principes de sécurité peut provoquer des blessures, entraîner des dégâts matériels et endommager le produit. Ce produit n'est pas destiné à être utilisé par des enfants sans la surveillance directe d'un adulte. N'essayez pas de démonter le produit, de l'utiliser avec des composants incompatibles ou d'en améliorer les performances sans l'accord d'Horizon Hobby, LLC. Ce manuel comporte des instructions relatives à la sécurité, au fonctionnement et à l'entretien. Il est capital de lire et de respecter la totalité des instructions et avertissements du manuel avant l'assemblage, le réglage et l'utilisation, ceci afin de manipuler correctement l'appareil et d'éviter tout dégât matériel ou toute blessure grave.

14 ans et plus. Ceci n'est pas un jouet.

PRÉCAUTIONS ET AVERTISSEMENTS LIÉS À LA SÉCURITÉ

En tant qu'utilisateur de ce produit, il est de votre seule responsabilité de le faire fonctionner d'une manière qui ne mette en danger ni votre personne, ni de tiers et qui ne provoque pas de dégâts au produit lui-même ou à la propriété d'autrui. Ce modèle est contrôlé par un signal radio, qui peut être soumis à des interférences provenant de nombreuses sources hors de votre contrôle. Ces interférences peuvent provoquer une perte momentanée de contrôle. Il est donc conseillé de garder une bonne distance de sécurité tout autour de votre modèle, ce qui aidera à éviter les collisions ou les blessures.

- Ne faites jamais fonctionner votre modèle lorsque les piles de l'émetteur sont faibles.
- Faites toujours fonctionner votre modèle dans une zone dégagée, à l'écart des voitures, de la circulation ou de personnes.
- Ne faites jamais et pour quelque raison que ce soit fonctionner votre modèle dans la rue ou dans des zones habitées.
- Respectez scrupuleusement les instructions et avertissements à cet effet ainsi que pour tous les équipements optionnels/complémentaires (chargeurs, packs de batteries rechargeables, etc.) que vous utilisez.
- Tenez tous les produits chimiques, les petites pièces et les composants électroniques hors de portée des enfants.
- Ne léchez ni ne mettez jamais en bouche quelque partie de votre modèle que ce soit, afin d'éviter tout risque de blessures graves, voire danger de mort.
- Faites bien attention lors de l'utilisation d'outils et lors de l'utilisation d'instruments coupants.
- Faites bien attention lors du montage, certaines pièces peuvent avoir des bords coupants.
- Après avoir utilisé votre modèle, NE touchez PAS à certaines de ces pièces telles que le moteur, le contrôleur électronique de vitesse et la batterie, car elles peuvent encore se trouver à des températures élevées. Vous risquez de vous brûler gravement en cas de contact avec elles.
- Ne mettez ni vos doigts ni aucun autre objet entre des pièces en rotation ou en mouvement, vous risqueriez des dommages ou des blessures graves.
- Allumez toujours votre émetteur avant d'allumer le récepteur du véhicule. Éteignez toujours le récepteur avant d'éteindre votre émetteur.
- Veillez à ce que les roues du modèle ne soient pas en contact avec le sol lorsque vous contrôlez le fonctionnement de votre équipement radio.

 **AVERTISSEMENT CONTRE LES PRODUITS CONTREFAITS** : Toujours acheter chez un revendeur officiel Horizon hobby pour être sûr d'avoir des produits authentiques. Horizon Hobby décline toute garantie et responsabilité concernant les produits de contrefaçon ou les produits se disant compatibles Spektrum.

TABLE DES MATIÈRES


Véhicule étanche avec composants électroniques étanches.....	27	Utilisation de la direction à quatre roues	32
Contenu de la boîte.....	28	Entretien du véhicule.....	33
Matériel nécessaire	28	Combinaison récepteur/esc spektrum	34
Outils recommandés.....	28	Étalonnage du variateur ESC et de l'émetteur	34
Liste de contrôle avant de commencer	29	Guide de dépannage	35
Pièces du véhicule.....	29	Garantie et réparations.....	36
Chargez la batterie du véhicule.....	30	Informations de contact pour garantie et réparation	36
Installation des piles de l'émetteur.....	30	Information IC.....	37
Fonctions de l'émetteur	30	Informations de conformité pour l'union européenne.....	37
Installez la batterie du véhicule.....	31	Liste des pièces.....	54
Affectation de votre émetteur et votre récepteur	32	Recommandé.....	55
Vérification de la portée du système radio.....	32	Pièces en option.....	56

VÉHICULE ÉTANCHE AVEC COMPOSANTS ÉLECTRONIQUES ÉTANCHES

Votre nouveau véhicule Horizon Hobby a été conçu et fabriqué en combinant des composants étanches et des composants résistants à l'eau vous permettant d'utiliser ce produit dans plusieurs "Conditions Humides" incluant les flaques d'eau, les ruisseaux, l'herbe humide, la neige et même la pluie.

Bien que le véhicule possède une grande résistance vis-à-vis de l'eau, il n'est pas entièrement étanche et votre véhicule ne doit PAS être utilisé comme un sous-marin. Les différents composants électroniques installés sur le véhicule, comme le contrôleur de vitesse électronique (ESC), le ou les servo(s) et le récepteur sont étanches, cependant la plupart des composants mécaniques résistent aux projections d'eau mais ne doivent pas être immergés.

Les pièces métalliques comme les roulements, les axes de suspension, les vis et les écrous ainsi que les contacts des prises des câbles électriques sont exposés à l'oxydation si vous n'effectuez un entretien supplémentaire après avoir utilisé le produit dans des conditions humides. Pour conserver à long terme les performances de votre véhicule et conserver la garantie, les procédures décrites dans la section « Maintenance en conditions humides » doivent être régulièrement effectuées si vous roulez dans des conditions humides. Si vous ne souhaitez pas effectuer la maintenance supplémentaire requise, vous ne devez pas utiliser le véhicule dans ces conditions.

 **ATTENTION** : Un défaut de soin durant l'utilisation et un non-respect des consignes suivantes peut entraîner un dysfonctionnement du produit et/ou annuler la garantie.

PRÉCAUTIONS GÉNÉRALES

- Lisez avec attention les procédures de maintenance en conditions humides et vérifiez que vous possédez tous les outils nécessaires pour effectuer la maintenance du véhicule.
- Toutes les batteries ne peuvent être utilisées en conditions humides. Consultez la documentation du fabricant de votre batterie avant utilisation. Des précautions doivent être appliquées quand vous utilisez des batteries Li-Po en conditions humides.
- La majorité des émetteurs ne résiste pas aux projections d'eau. Consultez le manuel ou le fabricant de votre émetteur avant utilisation.
- N'utilisez jamais votre émetteur ou votre véhicule sous un orage.
- N'utilisez JAMAIS votre véhicule où il pourrait entrer en contact avec de l'eau salée (Eau de mer ou flaque d'eau sur une route salée), ou de l'eau polluée ou contaminée.

- Une petite quantité d'eau peut réduire la durée de vie du moteur s'il n'est pas certifié étanche ou résistant aux projections d'eau. Si le moteur devient excessivement humide, appliquez légèrement les gaz pour évacuer le maximum d'eau du moteur. Faire tourner à un régime élevé un moteur humide causerait son endommagement rapide.
- L'utilisation en conditions humides peut réduire la durée de vie du moteur. La résistance de l'eau cause des efforts plus importants. Adaptez le rapport de transmission en utilisant un pignon plus petit ou une couronne plus grande. Cela augmentera le couple (et la durée de vie du moteur) quand vous roulez dans la boue, dans les flaques profondes ou n'importe quelle autre condition humide, cela augmente la charge appliquée au moteur.

MAINTENANCE EN CONDITIONS HUMIDES

- Evacuez l'eau collectée par les pneus en les faisant tourner à haute vitesse. Retirez la carrosserie, retournez le véhicule et donnez des courts coups d'accélérateur plein gaz jusqu'à ce que l'eau soit retirée.



ATTENTION: Tenez toujours éloigné des parties en rotation, les mains, les doigts, les outils ou autre objet lâches/pendants.

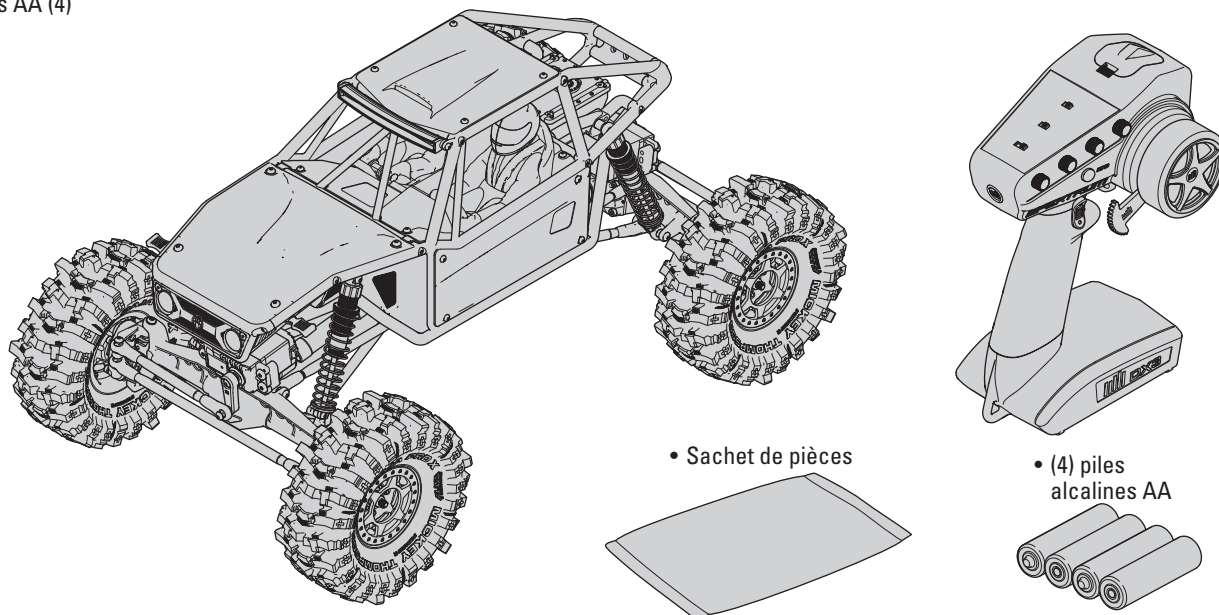
- Retirez la batterie et séchez ses contacts. Si vous possédez un compresseur d'air ou une bombe d'air comprimé, chassez toute l'humidité qui se trouve dans la prise.
- Retirez les roues du véhicule et rincez-les à l'aide d'un arrosoir pour retirer la boue et la poussière. Evitez de rincer les roulements et la transmission.

REMARQUE : N'utilisez jamais un nettoyeur haute-pression pour nettoyer le véhicule.

- Utilisez un compresseur d'air ou une bombe d'air comprimée pour sécher le véhicule et vous aider à retirer l'eau logée dans les renforcements et les recoins.
- Vaporisez du lubrifiant ou de l'anti-humidité sur les roulements, les vis ou autres pièces métalliques. Ne pas en vaporiser sur le moteur.
- Laissez le véhicule sécher avant de le stocker. L'eau (et l'huile) peuvent continuer à s'écouler durant quelques heures.
- Augmentez la fréquence d'inspection, de démontage et de lubrification des éléments suivants:
 - Les axes de roues et roulements des fusées avant et arrière.
 - Tous les boîtiers de transmissions, pignons et différentiels.
 - Le moteur—nettoyez-le à l'aide d'un aérosol de nettoyant moteur et lubrifiez les paliers à l'aide de lubrifiant pour roulements.

CONTENU DE LA BOÎTE

- Émetteur radio 2,4 GHz DX3 3 canaux Spektrum (SPM2340)
- Buggy RTR Capra™ 4 roues directrices 1,9 Unlimited Trail
 - Moteur électrique 35T (AXI-1376)
 - Servo à engrenage métallique S683, 25 dents, étanche (SPMS683)
 - Variateur ESC à balais étanche 40 A Spektrum™ Firma™, 2S-3S : IC3 (SPMXSE1040)
 - Récepteur sport DSMR 5 canaux Spektrum™ SR515 (SPMSR515)
- Piles alcalines AA (4)

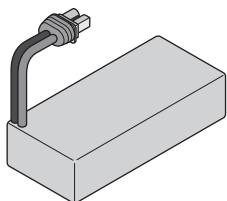


• Sachet de pièces

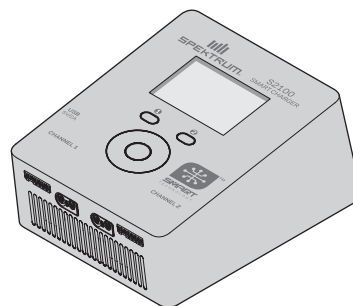
• (4) piles alcalines AA

MATÉRIEL NÉCESSAIRE

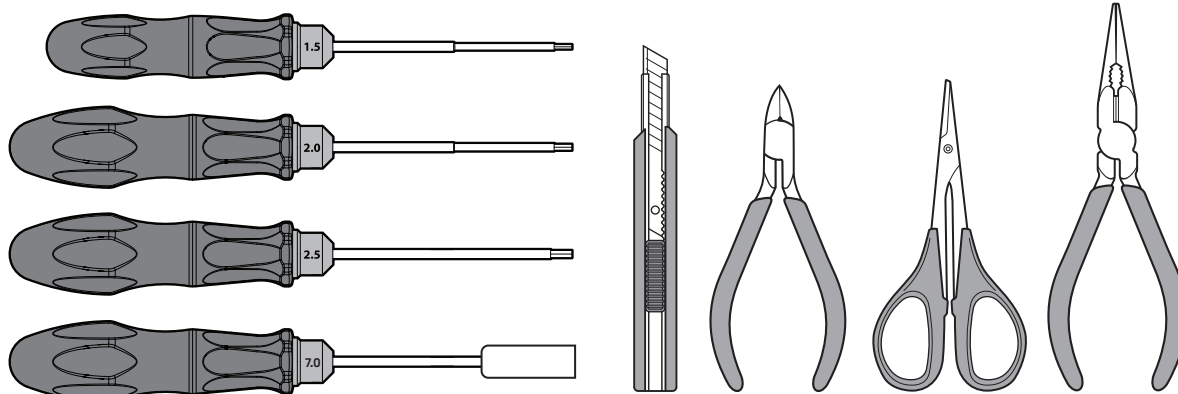
- Batterie LiPo 2-3S avec connecteur EC3 ou IC3



- Chargeur de batterie compatible avec la batterie de véhicule choisie



OUTILS RECOMMANDÉS



- Clés Allen (1,5, 2,0, 2,5 mm)
- Tournevis à écrou 7 mm

- Couteau hobby

- Pince coupante

- Ciseaux courbes

- Pince à bec long

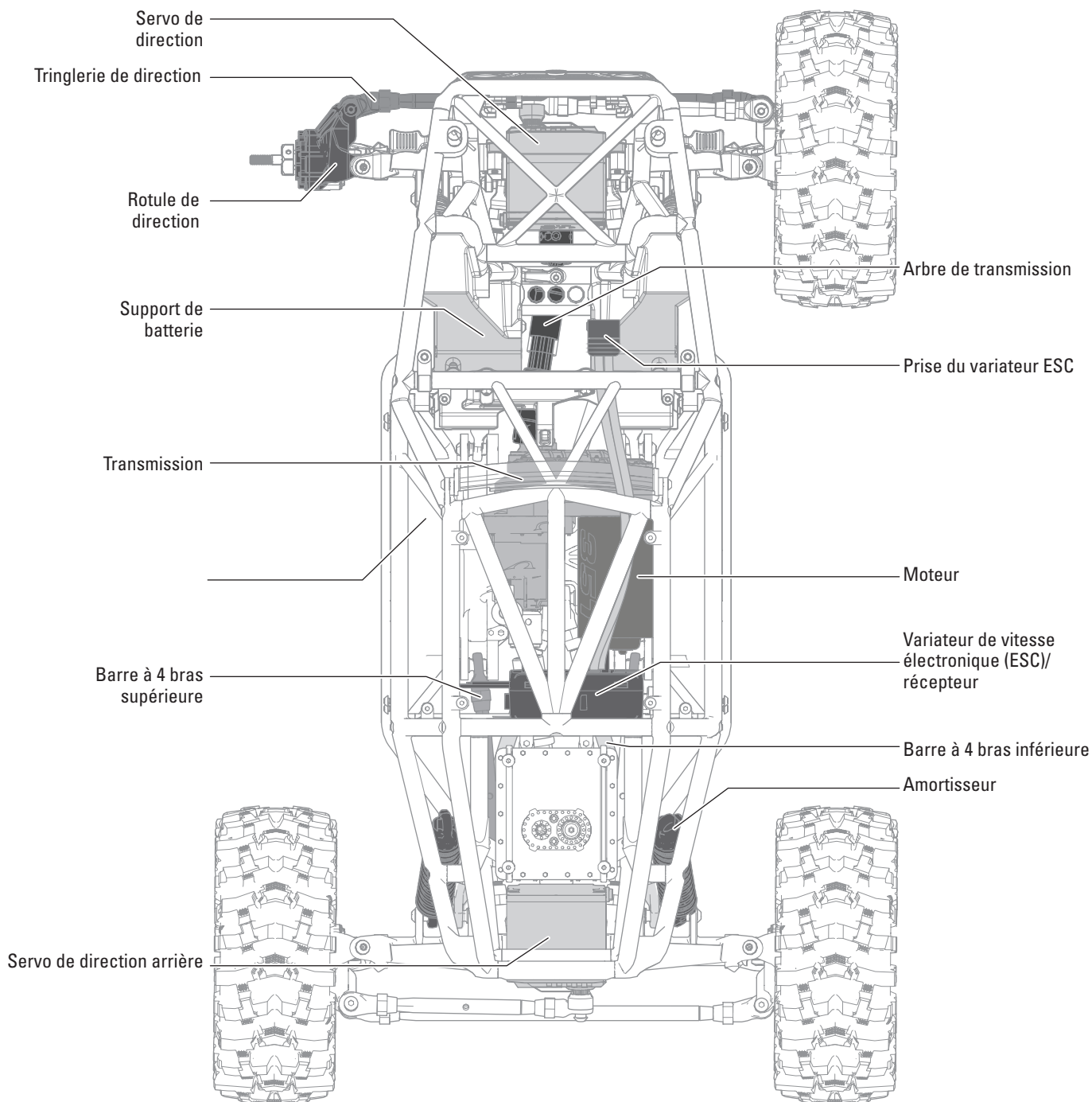
- Clé hexagonale de 7 mm

LISTE DE CONTRÔLE AVANT DE COMMENCER

Lisez le manuel
Familiarisez-vous avec le véhicule et ses composants
Vérifiez que toutes les vis, en particulier les vis de fixation de l'arbre de transmission, ont été bien serrées en usine
Chargez la batterie du véhicule
Installez 4 piles AA dans l'émetteur

Mettez l'émetteur en marche
Installez la batterie du véhicule dans le véhicule
Contrôlez le bon fonctionnement des gaz et de la direction
Vérifiez la portée de votre système radio
Manœuvrez le véhicule, mettez-vous au défi, et AMUSEZ-VOUS !
Effectuez l'entretien nécessaire sur le véhicule

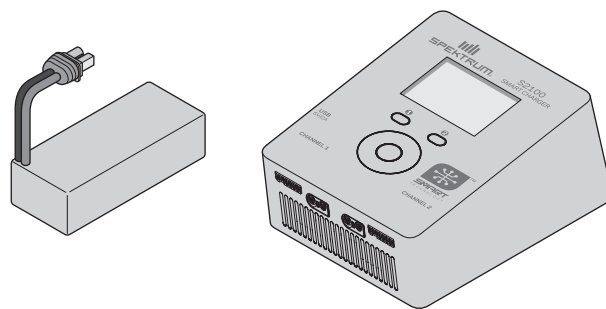
PIÈCES DU VÉHICULE



CHARGEZ LA BATTERIE DU VÉHICULE

Suivez les instructions du fabricant de votre chargeur pour charger correctement la batterie du véhicule.

ATTENTION : Utilisez uniquement des chargeurs conçus pour charger le type de batterie choisi. L'utilisation d'un chargeur incompatible ou de paramètres de chargeur inadaptés peut entraîner un incendie ou une explosion de la batterie.



INSTALLATION DES PILES DE L'ÉMETTEUR

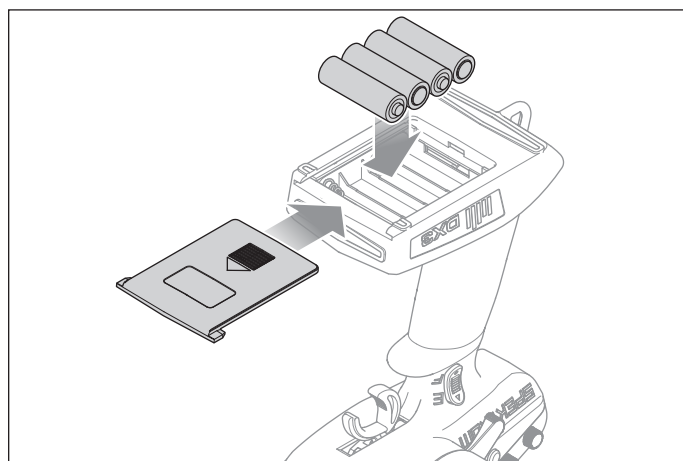
Cet émetteur nécessite 4 piles AA.

1. Retirez le couvercle du compartiment à piles.
2. Insérez les piles comme sur l'illustration.
3. Remplacez le couvercle.

ATTENTION : Ne retirez jamais les piles de l'émetteur lorsque le modèle est sous tension. Une perte de contrôle du modèle, des dommages ou des blessures peuvent survenir.

ATTENTION: Si vous utilisez des piles rechargeables, chargez seulement des piles rechargeables. La charge de piles non rechargeables peut causer un incendie, entraînant des blessures corporelles et/ou des dégâts matériels.

ATTENTION: Risque d'explosion si la batterie est remplacée par un type de batterie non conforme. Éliminez les batteries usagées selon les réglementations nationales.



FONCTIONS DE L'ÉMETTEUR

A/B. BOUTON CANAL 3 (FONCTION DIG)

C. GAZ/FREIN

D. VOLANT

E. STEERING RATE (TAUX DE DIRECTION)

Ajuste le point d'extrémité de la direction

F. BRAKE RATE (TAUX DE FREINAGE)

Ajuste le point d'extrémité du freinage.

G. STEERING TRIM (COMPENSATEUR DE DIRECTION)

Ajuste le point central de direction. En général, le compensateur de direction est ajusté jusqu'à ce que le véhicule aille droit.

H. THROTTLE TRIM (COMPENSATEUR DES GAZ)

Ajuste le point neutre des gaz

I. INDICATEUR DU NIVEAU DE LA BATTERIE SMART

J. INVERSION DU SERVO

Pour inverser le canal des gaz (TH) ou de la direction (ST), faites basculer la position du commutateur correspondant : « N » est pour normal, « R » est pour inversé.

K. THROTTLE LIMIT (LIMITE DES GAZ)

Limite la sortie des gaz à 50/75/100 %

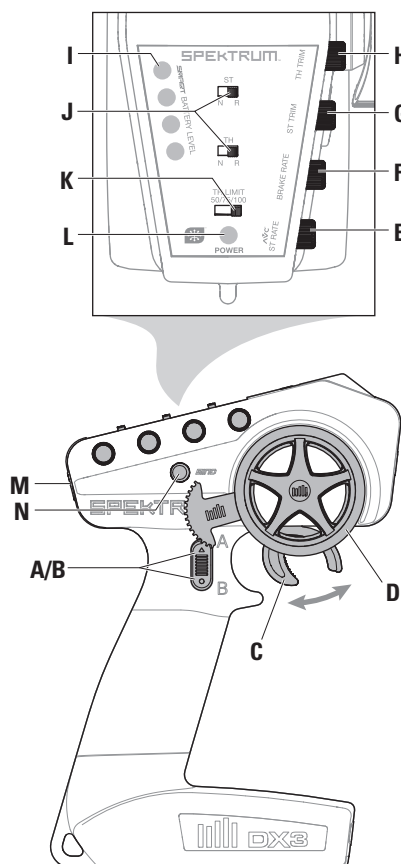
Sélectionnez 50 % ou 75 % pour les pilotes moins expérimentés ou lorsque vous pilotez le véhicule dans une petite zone.

L. DEL D'ALIMENTATION

- **Témoins en rouge fixe :** indique la connectivité radio et une alimentation de batterie appropriée
- **Témoins clignotant en rouge :** indique que la tension de la batterie est à un niveau extrêmement bas. Remplacez les batteries

M. BOUTON D'ALIMENTATION

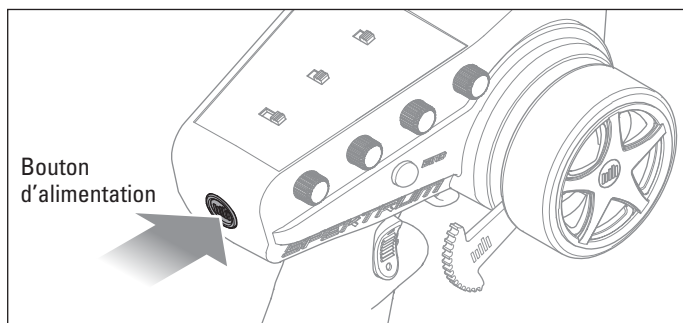
N. BOUTON BIND (AFFECTATION)



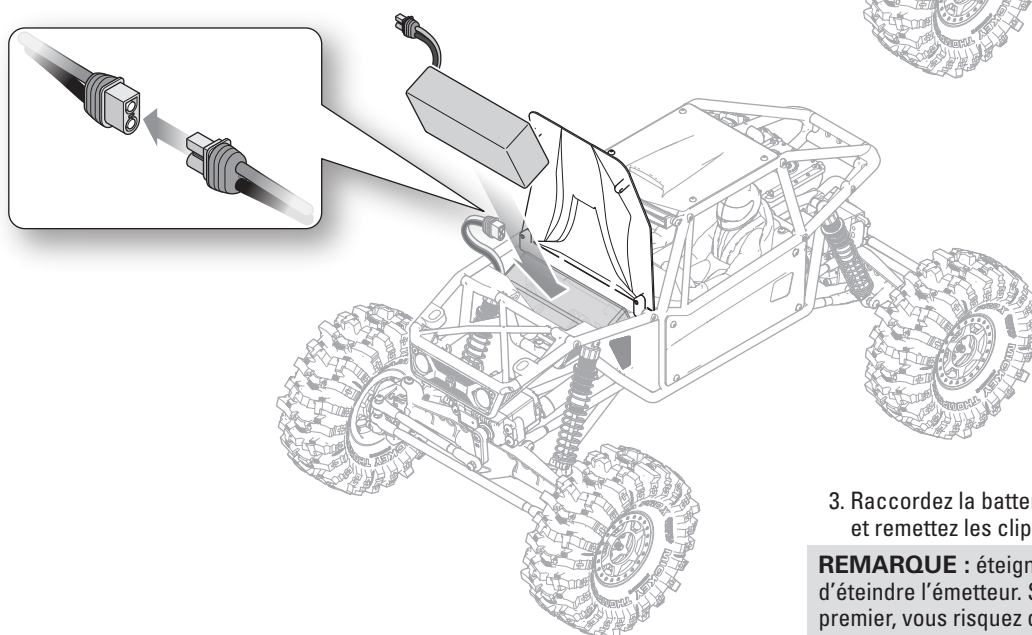
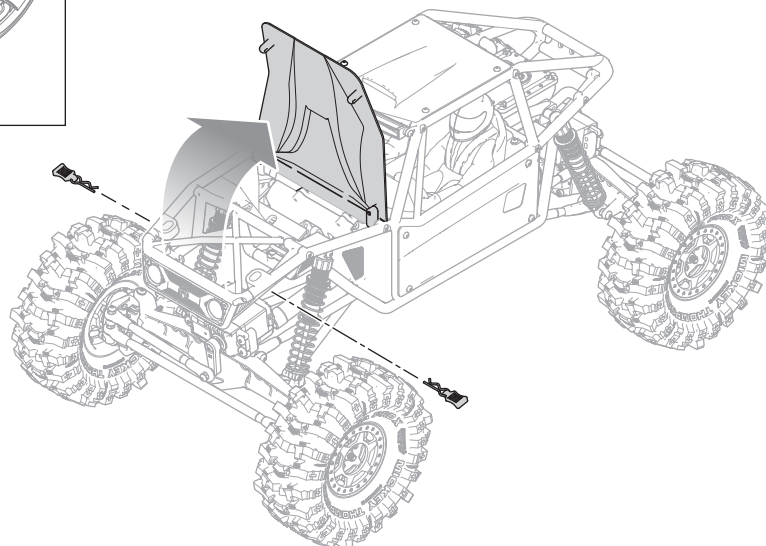
INSTALLEZ LA BATTERIE DU VÉHICULE

REMARQUE : L'alimentation électrique du véhicule se contrôle en connectant et en déconnectant la batterie du variateur ESC. Allumez toujours l'émetteur avant de connecter la batterie du véhicule. Débranchez toujours la batterie du variateur ESC lorsque celui-ci n'est pas utilisé.

1. Mettez l'émetteur en marche.



2. Retirez les clips de carrosserie et ouvrez le capot.



3. Raccordez la batterie au variateur ESC. Fermez le capot et remettez les clips de carrosserie.

REMARQUE : éteignez toujours le véhicule avant d'éteindre l'émetteur. Si vous éteignez l'émetteur en premier, vous risquez de perdre le contrôle de la machine.

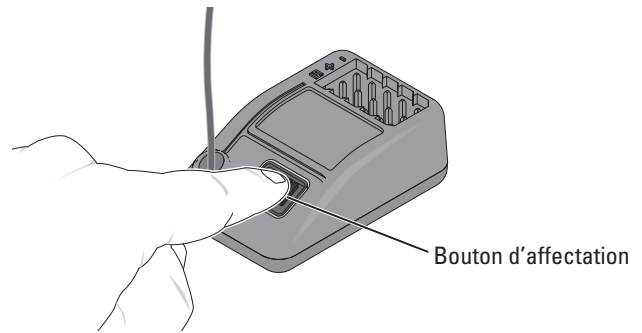
AFFECTATION

L'affectation est le processus de programmation du récepteur qui vise à reconnaître le code GUID (identificateur global unique) d'un émetteur unique spécifique.

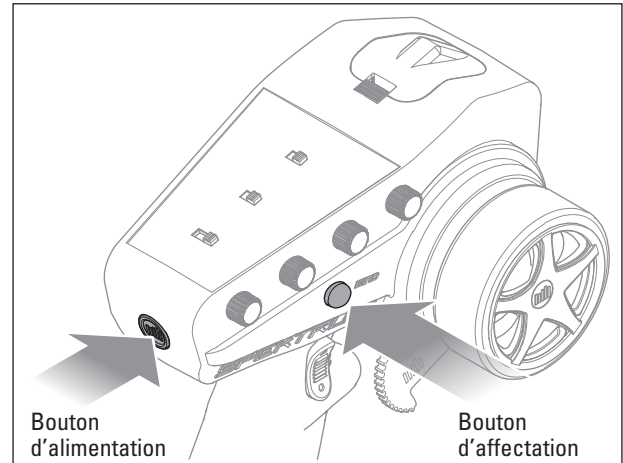
1. Allumez le récepteur.
2. Appuyez 3 fois rapidement sur le bouton d'affectation (dans la 1,5 seconde qui suit la première pression sur le bouton). La DEL commencera à clignoter avec une pause.
3. Placez les compensateurs et les positions de commande sur les réglages de sécurité intégrée souhaités, et allumez l'émetteur SLT3.
4. Lorsque la DEL de l'émetteur SLT3 et la DEL du récepteur restent allumées, l'affectation est terminée.

Vous devez effectuer à nouveau l'affectation :

- si différentes positions de sécurité intégrée sont souhaitées, par ex. lors du changement de l'inversion des gaz ou de la direction.
- lors de l'affectation du récepteur à un émetteur différent.



Bouton d'affectation



Bouton d'alimentation

Bouton d'affectation

VÉRIFICATION DE LA PORTÉE DU SYSTÈME RADIO

Contrôlez le système radio pour vous assurer de son bon fonctionnement et de sa portée adaptée avant d'utiliser le véhicule.

1. Allumez l'émetteur.
2. Connectez la batterie dans le véhicule.
3. Demandez à un ami de tenir le véhicule tout en gardant les mains et les vêtements amples à l'écart des pièces en mouvement.
4. Éloignez-vous jusqu'à la distance maximale prévue d'utilisation du véhicule.
5. Tournez le volant de chaque côté et faites fonctionner l'accélérateur en marche avant et arrière, en vous assurant qu'il n'y a aucun comportement irrégulier.
6. Si vous constatez un comportement irrégulier, NE PAS utiliser le véhicule. Appelez le service clientèle pour obtenir de l'aide.

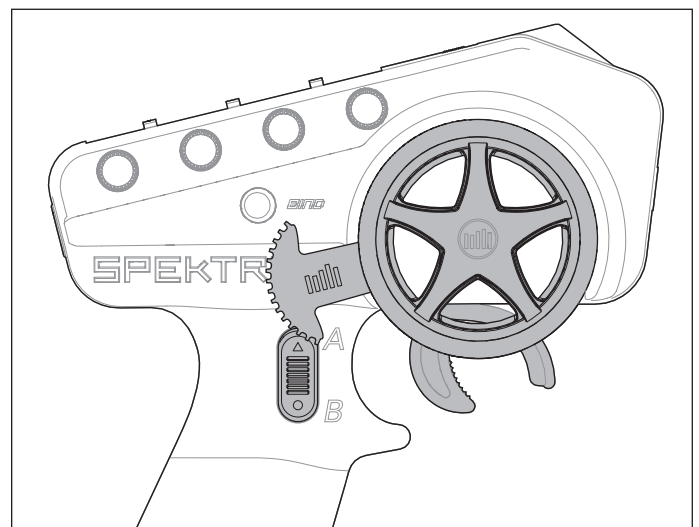


UTILISATION DE LA DIRECTION À QUATRE ROUES

Le véhicule est doté d'une direction à quatre roues. Les roues arrière sont contrôlées à l'aide du commutateur d'émetteur A/B. La direction adopte l'une des cinq positions possibles : centrée, 50 % dans l'une ou l'autre direction ou 100 % dans l'une ou l'autre direction.

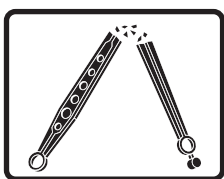
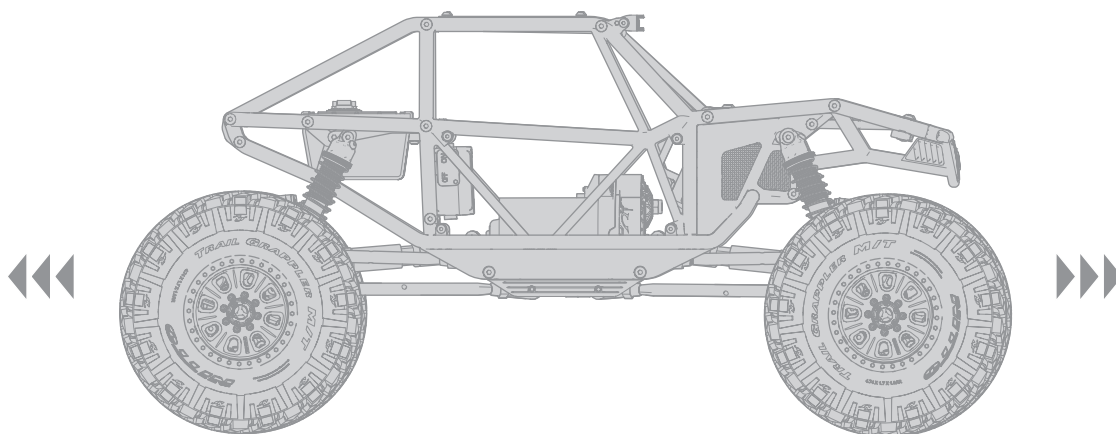
Pour activer la direction :

1. Appuyez sur le bouton A ou B une fois pour déplacer la direction arrière sur une course de 50 %.
2. Appuyez sur le même bouton deux fois pour déplacer sur une course de 100 % dans la même direction.
3. Appuyez sur le bouton opposé trois fois pour recentrer les roues arrière.

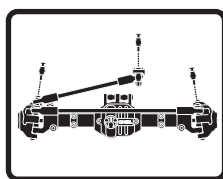


ENTRETIEN DU VÉHICULE

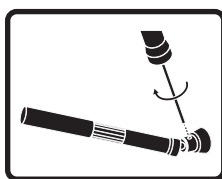
Tout comme une voiture ou un camion grandeur nature, votre véhicule télécommandé doit être entretenu régulièrement pour conserver une performance optimale. L'entretien préventif permet également d'éviter toute casse superflue pouvant entraîner des réparations coûteuses. Voici ci-dessous quelques suggestions pour entretenir correctement votre véhicule.



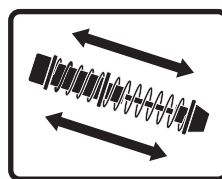
Remplacez les pièces visiblement tordues ou cassées



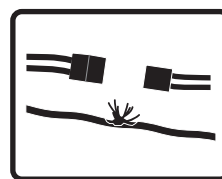
Contrôlez l'usure des joints à rotule dans la tringlerie de direction et de suspension (remplacez si nécessaire)



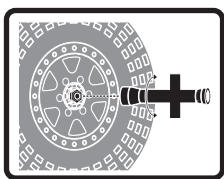
Contrôlez les vis de fixation de l'arbre de transmission et appliquez du frein-filet si nécessaire



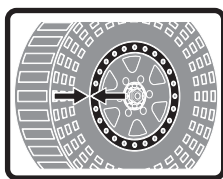
Vérifiez que les amortisseurs absorbent efficacement les chocs et de façon fluide



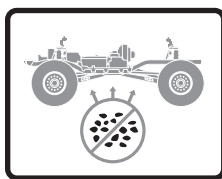
Assurez-vous qu'il n'y a aucune connexion lâche ou aucun fil effiloché



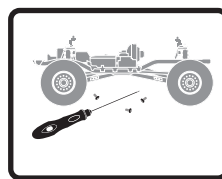
Vérifiez que les écrous de roue sont bien serrés



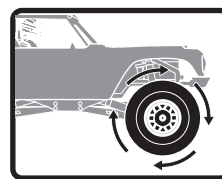
Assurez-vous que les talons de roue sont toujours fermement collés sur toute la circonférence de la jante



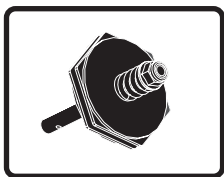
Assurez-vous que le châssis est exempt de crasse et de débris



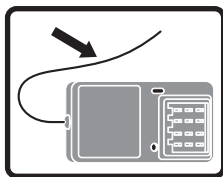
Vérifiez qu'il n'y a aucune vis desserrée sur le châssis, en particulier les vis de blocage des rotules, des moyeux en C et des essieux



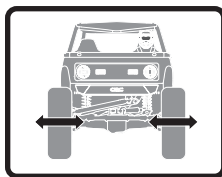
Vérifiez que la transmission fonctionne de façon fluide, sans grippages



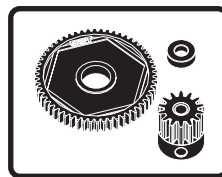
Le cas échéant, contrôlez le bon fonctionnement de l'embrayage



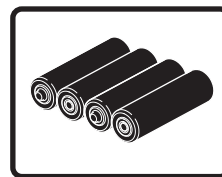
Vérifiez que l'antenne du récepteur n'est pas endommagée



Vérifiez que la direction n'est pas grippée

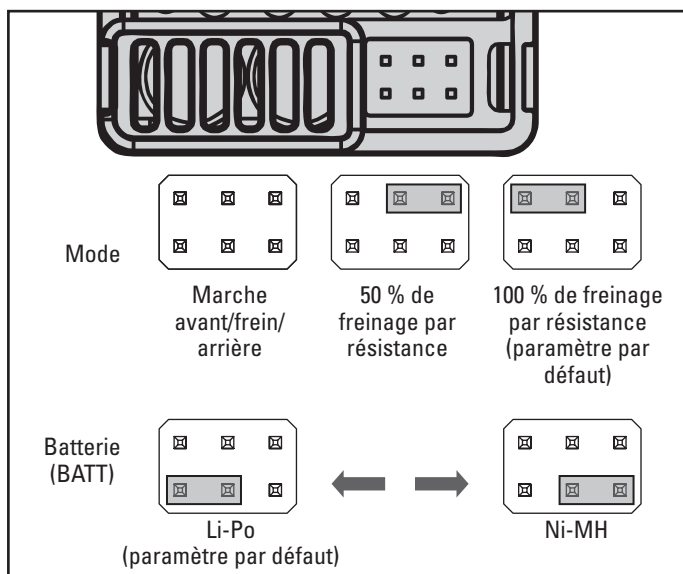
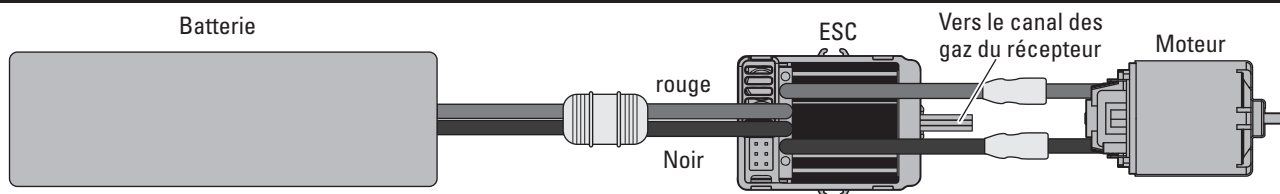


Vérifiez que les engrenages à pignons et les engrenages cylindriques ne sont pas endommagés



Remplacez les piles de l'émetteur lorsque l'émetteur vous y invite, comme décrit dans la section Fonctions de l'émetteur

40A VARIATEUR ESC FIRMA



SPÉCIFICATIONS	
Type	Brushed
Constant/Crête.	40 A/180 A
Résistance	0,002 ohms
Fonction	Avant/Frein/Arrière, Avant/Frein, Avant/Arrière (mode Crawler)
Type de véhicule	Sur route et hors piste 1/10 ; Rock Crawler 1/10
Fonctionnement	Marche avant proportionnelle, marche arrière proportionnelle avec retard de freinage, mode Crawler
Type de batterie/tension d'entrée	Li-Po 2 à 3 cellules ou Ni-MH/Ni-Cd 5 à 9 cellules
Type de moteur	2S Li-Po jusqu'à 2T ; 3S Li-Po jusqu'à 18T
Sortie BEC	6 V/3 A
Dimensions	46,5 mm x 34 mm (1,8 po x 1,3 po x 1,1 po)
Poids	70 g (2,5 oz)
Connecteur de batterie	Connecteur IC3

PARAMÉTRAGE

Il n'est normalement pas nécessaire de calibrer les gaz au déballage. Toutefois, afin d'augmenter la portée des gaz sur différents émetteurs, il est nécessaire de calibrer le variateur ESC :

- Montez le variateur ESC à un endroit bien aéré et isolé des vibrations et des chocs.
- Connectez les fils du moteur du variateur ESC au moteur, rouge sur rouge et noir sur noir.
- Branchez le récepteur dans le canal des gaz du récepteur.
- Avant de brancher la batterie dans le variateur ESC, assurez-vous que votre émetteur est allumé et que le compensateur des gaz est réglé sur zéro.
- Raccordez la batterie au variateur ESC. Le véhicule sera mis sous tension une fois la batterie connectée.

ATTENTION : Maintenez toutes les parties du corps et tous les vêtements amples à l'écart des pièces en mouvement tant que la batterie est connectée au variateur ESC.

ATTENTION : Connectez toujours le variateur ESC uniquement à une source d'alimentation adaptée ayant la bonne tension et la bonne polarité. Une tension inadaptée ou une polarité inversée endommagera le variateur ESC. L'endommagement du variateur ESC causé par une tension inadaptée ou une polarité inversée n'est pas couvert par la garantie.

- Testez la commande de marche avant et de marche arrière à l'aide de l'émetteur.

INDICATEUR SONORE

FONCTIONNEMENT	SON
Batterie Ni-MH/Ni-CD	1 bip court
Batterie 2S Li-Po	2 bips courts
Batterie 3S Li-Po	3 bips courts
Variateur ESC prêt	1 bip long

POUR CALIBRER LE VARIATEUR ESC :

- Allumez l'émetteur et mettez la commande des gaz sur neutre.
- Connectez la batterie au variateur ESC et attendez 3 secondes que le variateur ESC initialise un autodiagnostic et un calibrage automatique des gaz.
- Le variateur ESC est prêt à fonctionner lorsque vous entendez un bip long provenant du moteur.
- Déconnectez toujours la batterie lorsque le véhicule n'est pas utilisé.

IMPORTANT: La coupure de batterie LiPo est réglée en usine sur « ON » (active).

GUIDE DE DÉPANNAGE

PROBLÈME	CAUSE POSSIBLE	SOLUTION
Le système ne se connecte pas	L'émetteur et le récepteur sont trop proches	Éloignez l'émetteur d'environ 2 à 4 m du récepteur
	Vous vous trouvez à proximité d'objets métalliques	Déplacez-vous dans une zone contenant moins de métal
	Le récepteur est affecté à la mémoire d'un modèle différent	Assurez-vous que la mémoire du bon modèle est active dans votre émetteur
	Votre émetteur a été placé en mode affectation et n'est plus affecté à votre récepteur	Réaffectez l'émetteur et le récepteur, puis recalibrez
Le récepteur passe en mode sécurité intégrée à une courte distance de l'émetteur	Vérifiez que l'antenne du récepteur n'est pas endommagée	Assurez-vous que l'antenne de votre récepteur est protégée et placée aussi haut que possible
		Remplacez le récepteur ou contactez l'assistance produit de Horizon
Le récepteur cesse de répondre en cours de service	Faible tension de la batterie du récepteur. Si la tension de la batterie est faible, il est possible qu'elle tombe provisoirement en dessous de 3,5 V, entraînant une baisse de tension du récepteur, puis une reconnexion	Chargez la batterie du récepteur ou du véhicule. Les récepteurs Spektrum nécessitent une tension de service minimale de 3,5 V
	Fils ou connecteurs desserrés ou endommagés entre la batterie et le récepteur	Vérifiez les fils et la connexion entre la batterie et le récepteur. Réparez ou remplacez les fils et/ou les connecteurs
Le véhicule ne bouge pas	Les piles ne sont pas installées correctement dans l'émetteur	Assurez-vous que les piles sont correctement installées dans l'émetteur
	Batterie faible ou absente dans le véhicule	Installez une batterie venant d'être chargée dans le véhicule
	Moteur endommagé	Remplacez le moteur
	Câblage effiloché ou cassé	Remplacez tout fil endommagé
Perte de contrôle du véhicule	Le variateur ESC est coupé par le circuit de protection contre la surchauffe	Laissez le variateur ESC refroidir complètement
	Mauvais placement de l'antenne	Assurez-vous que l'antenne de l'émetteur n'est pas bloquée et que l'antenne du récepteur est bien placée
	Batteries faibles ou absentes dans l'émetteur ou le véhicule	Installez une batterie venant d'être chargée dans le véhicule et des piles neuves dans l'émetteur
	Mauvaise position neutre ou du compensateur	Ajustez le compensateur de direction
La fonction de direction et/ou des gaz est inversée	Mauvaise connexion du récepteur et/ou de la batterie	Contrôlez toutes les connexions du récepteur et de la batterie
	La course du servo est inversée au niveau de l'émetteur	Mettez le commutateur d'inversion de servo de l'émetteur à la bonne position
Variateur ESC allumé - Aucune fonction moteur, tonalité audible ou DEL	Les câbles du moteur sont mal connectés	Vérifiez que tous les câbles du moteur sont bien connectés et sont à la bonne polarité
	Problème de batterie/connexion	Rechargez/remplacez la batterie. Fixez tous les branchements
Moteur- S'arrête et la DEL clignote	Variateur/commutateur ESC endommagé	Réparez/remplacez le variateur/commutateur ESC
	Moteur endommagé	Réparez/remplacez
	Protection contre les baisses de tension	Lorsque la DEL du variateur ESC clignote, rechargez/remplacez la batterie
Moteur- Accélère régulièrement	Protection contre la surchauffe	Lorsque la DEL clignote, laissez le moteur/variateur ESC refroidir, modifiez la configuration ou l'engrenage pour éviter une surchauffe
	Problème de batterie	Réparez les fils endommagés/remplacez la batterie
Moteur- Ne tourne pas de façon continue en réponse à une accélération	Engrenage incorrect	Ajustez/remplacez l'engrenage
	Moteur usé ou endommagé	Réparez/remplacez le moteur
Moteur- Ralentit mais ne s'arrête pas	Variateur ESC/moteur endommagé	Réparez/remplacez les fils ou le moteur/variateur ESC
	Calibrage incorrect de l'émetteur/du variateur ESC	Réglez le débattement des gaz/les autres paramètres des gaz sur l'émetteur/le variateur ESC. Répétez la procédure de calibrage du variateur ESC
Servo de direction- Fonctionne; le moteur ne tourne pas	Moteur endommagé	Testez le moteur en dehors du système du véhicule, réparez/remplacez le moteur selon le besoin
	Calibrage incorrect de l'émetteur/du variateur ESC	Réglez le débattement des gaz/les autres paramètres des gaz sur l'émetteur/le variateur ESC. Répétez la procédure de calibrage du variateur ESC
Direction/moteur- ne fonctionne pas	Tension de batterie faible	Rechargez/remplacez
	Mémoire du modèle incorrect sélectionnée sur l'émetteur	Sélectionnez les bons paramètres de modèle sur votre émetteur ; consultez le manuel de l'émetteur et/ou du récepteur
	Récepteur non affecté à l'émetteur	Affectez l'émetteur au récepteur ; consultez le manuel de l'émetteur et/ou du récepteur
Véhicule- Ne fonctionne pas à pleine vitesse	Problème de batterie	Rechargez/remplacez
	Calibrage incorrect de l'émetteur/du variateur ESC	Réglez le débattement des gaz/les autres paramètres des gaz sur l'émetteur/le variateur ESC. Répétez la procédure de calibrage du variateur ESC

GARANTIE ET RÉPARATIONS

Durée de la garantie

Garantie exclusive - Horizon Hobby, LLC (Horizon) garantit que le Produit acheté (le « Produit ») sera exempt de défauts matériels et de fabrication à sa date d'achat par l'Acheteur. La durée de garantie correspond aux dispositions légales du pays dans lequel le produit a été acquis. La durée de garantie est de 6 mois et la durée d'obligation de garantie de 18 mois à l'expiration de la période de garantie.

Limitations de la garantie

- (a) La garantie est donnée à l'acheteur initial (« Acheteur ») et n'est pas transférable. Le recours de l'acheteur consiste en la réparation ou en l'échange dans le cadre de cette garantie. La garantie s'applique uniquement aux produits achetés chez un revendeur Horizon agréé. Les ventes faites à des tiers ne sont pas couvertes par cette garantie. Les revendications en garantie seront acceptées sur fourniture d'une preuve d'achat valide uniquement. Horizon se réserve le droit de modifier les dispositions de la présente garantie sans avis préalable et révoque alors les dispositions de garantie existantes.
- (b) Horizon n'endosse aucune garantie quant à la vendabilité du produit ou aux capacités et à la forme physique de l'utilisateur pour une utilisation donnée du produit. Il est de la seule responsabilité de l'acheteur de vérifier si le produit correspond à ses capacités et à l'utilisation prévue.
- (c) Recours de l'acheteur – Il est de la seule discrétion d'Horizon de déterminer si un produit présentant un cas de garantie sera réparé ou échangé. Ce sont là les recours exclusifs de l'acheteur lorsqu'un défaut est constaté.

Horizon se réserve la possibilité de vérifier tous les éléments utilisés et susceptibles d'être intégrés dans le cas de garantie. La décision de réparer ou de remplacer le produit est du seul ressort d'Horizon. La garantie exclut les défauts esthétiques ou les défauts provoqués par des cas de force majeure, une manipulation incorrecte du produit, une utilisation incorrecte ou commerciale de ce dernier ou encore des modifications de quelque nature qu'elles soient.

La garantie ne couvre pas les dégâts résultant d'un montage ou d'une manipulation erronés, d'accidents ou encore du fonctionnement ainsi que des tentatives d'entretien ou de réparation non effectuées par Horizon. Les retours effectués par le fait de l'acheteur directement à Horizon ou à l'une de ses représentations nationales requièrent une confirmation écrite.

Limitation des dommages

Horizon ne saurait être tenu pour responsable de dommages conséquents directs ou indirects, de pertes de revenus ou de pertes commerciales, liés de quelque manière que ce soit au produit et ce, indépendamment du fait qu'un recours puisse être formulé en relation avec un contrat, la garantie ou l'obligation de garantie. Par ailleurs, Horizon n'acceptera pas de recours issus d'un cas de garantie lorsque ces recours dépassent la valeur unitaire du produit. Horizon n'exerce aucune influence sur le montage, l'utilisation ou la maintenance du produit ou sur d'éventuelles combinaisons de produits choisies par l'acheteur. Horizon ne prend en compte aucune garantie et n'accepte aucun recours pour les blessures ou les dommages pouvant en résulter. Horizon Hobby ne saurait être tenu responsable d'une utilisation ne respectant pas les lois, les règles ou réglementations en vigueur.

En utilisant et en montant le produit, l'acheteur accepte sans restriction ni réserve toutes les dispositions relatives à la garantie figurant dans le présent document. Si vous n'êtes pas prêt, en tant qu'acheteur, à accepter ces dispositions en relation avec l'utilisation du produit, nous vous demandons de restituer au vendeur le produit complet, non utilisé et dans son emballage d'origine.

Indications relatives à la sécurité

Ceci est un produit de loisirs perfectionné et non un jouet. Il doit être utilisé avec précaution et bon sens et nécessite quelques aptitudes mécaniques ainsi que mentales. L'incapacité à utiliser le produit de manière sûre et raisonnable peut provoquer des blessures et des dégâts matériels conséquents. Ce produit n'est pas destiné à être utilisé par des enfants sans la surveillance par un tuteur. La notice d'utilisation contient des indications relatives à la sécurité ainsi que des indications concernant la maintenance et le fonctionnement du produit. Il est absolument indispensable de lire et de comprendre ces indications avant la première mise en service. C'est uniquement ainsi qu'il sera possible d'éviter une manipulation erronée et des accidents entraînant des blessures et des dégâts. Horizon Hobby ne saurait être tenu responsable d'une utilisation ne respectant pas les lois, les règles ou réglementations en vigueur.

Questions, assistance et réparations

Votre revendeur spécialisé local et le point de vente ne peuvent effectuer une estimation d'éligibilité à l'application de la garantie sans avoir consulté Horizon. Cela vaut également pour les réparations sous garantie. Vous voudrez bien, dans un tel cas, contacter le revendeur qui conviendra avec Horizon d'une décision appropriée, destinée à vous aider le plus rapidement possible.

Maintenance et réparation

Si votre produit doit faire l'objet d'une maintenance ou d'une réparation, adressez-vous soit à votre revendeur spécialisé, soit directement à Horizon. Emballez le produit soigneusement. Veuillez noter que le carton d'emballage d'origine ne suffit pas, en règle générale, à protéger le produit des dégâts pouvant survenir pendant le transport. Faites appel à un service de messagerie proposant une fonction de suivi et une assurance, puisque Horizon ne prend aucune responsabilité pour l'expédition du produit jusqu'à sa réception acceptée. Veuillez joindre une preuve d'achat, une description détaillée des défauts ainsi qu'une liste de tous les éléments distincts envoyés. Nous avons de plus besoin d'une adresse complète, d'un numéro de téléphone (pour demander des renseignements) et d'une adresse de courriel.

Garantie et réparations

Les demandes en garantie seront uniquement traitées en présence d'une preuve d'achat originale émanant d'un revendeur spécialisé agréé, sur laquelle figurent le nom de l'acheteur ainsi que la date d'achat. Si le cas de garantie est confirmé, le produit sera réparé. Cette décision relève uniquement d'Horizon Hobby.

Réparations payantes

En cas de réparation payante, nous établissons un devis que nous transmettons à votre revendeur. La réparation sera seulement effectuée après que nous ayons reçu la confirmation du revendeur. Le prix de la réparation devra être acquitté au revendeur. Pour les réparations payantes, nous facturons au minimum 30 minutes de travail en atelier ainsi que les frais de réexpédition. En l'absence d'un accord pour la réparation dans un délai de 90 jours, nous nous réservons la possibilité de détruire le produit ou de l'utiliser autrement.

ATTENTION: Nous n'effectuons de réparations payantes que pour les composants électroniques et les moteurs. Les réparations touchant à la mécanique, en particulier celles des hélicoptères et des voitures radiocommandées, sont extrêmement coûteuses et doivent par conséquent être effectuées par l'acheteur lui-même.

10/15

INFORMATIONS DE CONTACT POUR GARANTIE ET RÉPARATION

Pays d'achat	Horizon Hobby	Numéro de téléphone/E-mail	Adresse
Union européenne	Horizon Technischer Service Sales: Horizon Hobby GmbH	service@horizonhobby.eu +49 (0) 4121 2655 100	Hanskampring 9 D 22885 Barsbüttel, Germany

INFORMATION IC

CAN ICES-3 (B)/NMB-3(B)

Contains IC: 6157A-KATY1T

Contains IC: 6157A-SRIRVINGV1

Ce dispositif contient un/des émetteur(s)/récepteur(s) non soumis à licence conforme(s) aux CNR d'Innovation, Sciences et Développement économique Canada. Son utilisation est soumise aux deux conditions suivantes :

1. Cet appareil ne doit pas causer d'interférences.
2. Cet appareil doit accepter toutes les interférences, y compris celles pouvant entraîner un dysfonctionnement.

INFORMATIONS DE CONFORMITÉ POUR L'UNION EUROPÉENNE

CE EU COMPLIANCE STATEMENT:
Axial Capra 1.9 4WS Trail Buggy RTR (AXI-1543)

Par la présente, Horizon Hobby, LLC déclare que cet appareil est conforme aux directives suivantes : Directive relative aux équipements radioélectriques 2014/53/UE ; Directive RoHS 2 2011/65/U ; Directive RoHS 3 - Modifiant 2011/65/UE Annexe II 2015/863.

Le texte complet de la déclaration de conformité UE est disponible à l'adresse Internet suivante : <https://www.horizonhobby.com/content/support-render-compliance>.

REMARQUE: Ce produit contient des batteries couvertes par la directive européenne 2006/66/ EC, qui ne peuvent pas être jetées avec les déchets ménagers. Veuillez respecter les réglementations locales.

Gamme de fréquences sans fil / Puissance de sortie sans fil

Émetteur

2402.0 - 2478.0 MHz

17.7 dBm

Récepteur

2404-2476 MHz

-1.33dBm

Fabricant officiel de l'UE :

Horizon Hobby, LLC
 2904 Research Road
 Champaign, IL 61822 USA

Importateur officiel de l'UE :

Horizon Hobby, GmbH
 Hanskampring 9
 22885 Barsbüttel Germany

DIRECTIVE DEEE :



L'étiquette de cet appareil respecte la directive européenne 2012/19/UE en matière de déchets des équipements électriques et électroniques (DEEE). Cette étiquette indique que ce produit ne doit pas être jeté avec les déchets ménagers, mais déposé dans une installation appropriée afin de permettre sa récupération et son recyclage.

AVVISO

Tutte le istruzioni, le garanzie e gli altri documenti pertinenti sono soggetti a cambiamenti a totale discrezione di Horizon Hobby, LLC. Per una documentazione aggiornata sul prodotto, visitare il sito horizonhobby.com o towerhobbies.com e fare clic sulla sezione Support del prodotto.


CONVENZIONI TERMINOLOGICHE

Nella documentazione relativa al prodotto vengono utilizzati i seguenti termini per indicare i vari livelli di pericolo potenziale durante l'uso del prodotto:

AVVERTENZA: Indica procedure che, se non debitamente seguite, determinano il rischio di danni alle cose, danni collaterali e gravi lesioni alle persone O il rischio elevato di lesioni superficiali alle persone.

ATTENZIONE: Indica procedure che, se non debitamente seguite, determinano il rischio di danni alle cose E di gravi lesioni alle persone.

AVVISO: Indica procedure che, se non debitamente seguite, possono determinare il rischio di danni alle cose E il rischio minimo o nullo di lesioni alle persone.

 **AVVERTENZA:** leggere TUTTO il manuale di istruzioni e familiarizzare con le caratteristiche del prodotto prima di farlo funzionare. Un uso improprio del prodotto può causare danni al prodotto stesso e alle altre cose e gravi lesioni alle persone.

Questo modello è un prodotto sofisticato per appassionati di modellismo. Deve essere azionato in maniera attenta e responsabile e richiede alcune conoscenze basilari di meccanica. L'uso improprio o irresponsabile di questo prodotto può causare lesioni alle persone e danni al prodotto stesso o alle altre cose. Questo prodotto non deve essere utilizzato dai bambini senza la diretta supervisione di un adulto. Non tentare di smontare, utilizzare componenti incompatibili o modificare il prodotto in nessun caso senza previa approvazione di horizon hobby, llc. Questo manuale contiene le istruzioni per la sicurezza, l'uso e la manutenzione del prodotto. È fondamentale leggere e seguire tutte le istruzioni e le avvertenze del manuale prima di montare, impostare o utilizzare il prodotto, al fine di utilizzarlo correttamente e di evitare di causare danni alle cose o gravi lesioni alle persone.


Limite minimo di età consigliato: Almeno 14 anni. Non è un giocattolo.

PRECAUZIONI E AVVERTENZE SULLA SICUREZZA

L'utente di questo prodotto è l'unico responsabile del corretto utilizzo del medesimo in maniera che non sia pericoloso, sia nei propri riguardi che nei confronti di terzi e non danneggi il prodotto stesso o l'altrui proprietà.

Questo modello è controllato da un segnale radio potenzialmente soggetto a interferenze da molte fonti che non potete controllare. Queste interferenze possono generare momentanee perdite di controllo del modello, quindi è consigliabile mantenere sempre una certa distanza di sicurezza in ogni direzione, poichè questo può aiutare ad evitare urti o infortuni.

- Non utilizzare mai il modello con batterie scariche.
- Utilizzate sempre il modello in zone ampie, sgombre da persone, macchine e traffico.
- Non utilizzate mai il modello in strade aperte al traffico o in luoghi affollati.
- Seguite attentamente le avvertenze d'uso di questo modello e di ogni altro accessorio (caricabatterie, batterie ricaricabili ecc.).
- Tenete qualsiasi prodotto chimico o elettrico al di fuori della portata dei bambini.
- Non leccate o ingerite alcun pezzo del modello perchè questo può causare infortuni seri, o addirittura la morte.
- Utilizzate sempre con attenzione attrezzi e oggetti affilati.
- Prestare attenzione durante la costruzione perché alcune parti potrebbero avere degli spigoli vivi.
- Subito dopo l'uso NON toccate componenti del modello quali motore, variatore elettronico o la batteria, perchè si scaldano molto durante il funzionamento. Toccandoli potreste scottarvi.
- Non infilate le dita tra gli ingranaggi del modello o altre parti in rotazione o movimento, poichè questo può causare danni o infortuni gravi.
- Accendete sempre prima la trasmittente e poi la ricevente sul modello. Invece spegnete sempre prima la ricevente e poi la trasmittente.
- Sollevate le ruote del modello da terra quando controllate il corretto funzionamento dell'apparato radio.

 **AVVERTENZA CONTRO PRODOTTI CONTRAFFATTI:** Acquistate sempre da rivenditori autorizzati Horizon Hobby per essere certi di avere prodotti originali Spektrum di alta qualità. Horizon Hobby rifiuta qualsiasi supporto o garanzia riguardo, ma non limitato a, compatibilità e prestazioni di prodotti contraffatti o che dichiarano compatibilità con Spektrum.

INDICE


Veicolo resistente all'acqua con elettronica impermeabile.....	39	Utilizzo della modalità a 4 ruote sterzanti	44
Contenuto della scatola	40	Manutenzione del veicolo	45
Apparecchiature necessarie	40	Combo ricevitore/ESC Spektrum	46
Strumenti consigliati.....	40	Calibrazione di esc e trasmettente	46
Lista di controllo pre-utilizzo	41	Guida alla risoluzione dei problemi.....	47
Parti del veicolo.....	41	Garanzia.....	48
Caricare la batteria del veicolo	42	Garanzia e assistenza - informazioni per i contatti.....	48
Installare le batterie del trasmettitore	42	Dichiarazione di conformità per l'unione europea.....	49
Funzioni della trasmettente	42	Elenco componenti.....	54
Installare la batteria del veicolo.....	43	Consigliato.....	55
Connessione (binding).....	44	Parti opzionali	56
Provare la portata del radiocomando	44		

VEICOLO RESISTENTE ALL'ACQUA CON ELETTRONICA IMPERMEABILE

Il vostro nuovo veicolo Horizon Hobby è stato progettato e costruito con una combinazione di componenti impermeabili e resistenti all'acqua, per consentirvi di utilizzare il prodotto in molte situazioni "umide," incluse pozze, ruscelli, erba bagnata, neve e anche pioggia.

Sebbene tutto il veicolo sia altamente resistente all'acqua, tuttavia non è completamente impermeabile e NON si può trattare come fosse un sottomarino. I vari componenti elettronici usati sul veicolo, come il regolatore elettronico di velocità (ESC), i servi e il ricevitore, sono impermeabili, però molti dei componenti meccanici sono solo resistenti all'acqua e non si possono immergere.

Le parti metalliche, inclusi i cuscinetti, le cerniere, viti e dadi, come pure i contatti sui cavi elettrici, sono suscettibili di corrosione se non si fa una particolare manutenzione dopo l'uso sul bagnato. Per prolungare al massimo le prestazioni nel tempo e tenere valida la garanzia, le procedure descritte nella sezione "Manutenzione in condizioni umide," si devono applicare regolarmente se si sceglie di correre sul bagnato. Se non siete disposti ad eseguire questa manutenzione aggiuntiva, allora dovete evitare di utilizzare il veicolo in queste condizioni.

 **ATTENZIONE:** L'uso incauto di questo prodotto o il mancato rispetto delle seguenti precauzioni può portare ad un malfunzionamento del prodotto e/o invalidare la garanzia.

PRECAUZIONI GENERALI

- Leggete attentamente le procedure di manutenzione del vostro veicolo in condizioni umide, per essere sicuri di avere tutte le attrezzature necessarie per questo scopo.
- Non tutte le batterie si possono usare in condizioni di umidità. Consultate il costruttore delle batterie prima di utilizzarle. Bisogna avere cautela quando si usano le batterie Li-Po in condizioni di bagnato.
- Molti trasmettitori non sono resistenti all'acqua. Consultate i relativi manuali o il costruttore prima dell'utilizzo.
- Non utilizzate mai il vostro trasmettitore o il veicolo quando ci sono lampi.
- Non utilizzate il vostro veicolo quando c'è il rischio che entri in contatto con acqua salata (acqua marina o acqua proveniente da una strada su cui sia stato sparso del sale), acqua contaminata o inquinata. L'acqua salata è molto conduttiva e altamente corrosiva, perciò bisogna usare molta cautela.

- Anche il minimo contatto con l'acqua potrebbe ridurre la vita del vostro motore se non è stato certificato come impermeabile o resistente all'acqua. Se dovesse essere troppo umido, accelerate poco finché l'acqua non viene rimossa dal motore. Far girare forte un motore bagnato potrebbe danneggiarlo rapidamente.
- Guidare sul bagnato può ridurre la vita del motore. La resistenza aggiuntiva in queste condizioni causa uno sforzo eccessivo. Modificate il rapporto di riduzione diminuendo il pignone o aumentando la corona. Questo aumenta la coppia (e la vita del motore) quando si utilizza il veicolo nel fango, in pozzanghere profonde o qualsiasi altra situazione in cui l'umidità possa aumentare il carico del motore per lungo tempo.

MANUTENZIONE IN CONDIZIONI UMIDE

- Scaricare l'acqua raccolta negli pneumatici facendoli girare ad alta velocità. Togliere la carrozzeria e rovesciare il veicolo, poi dare alcune brevi accelerate finché l'acqua non viene rimossa.



ATTENZIONE: Durante l'operazione precedente, tenere sempre lontano dalle parti rotanti mani, dita, attrezzi o altri oggetti liberi di muoversi.

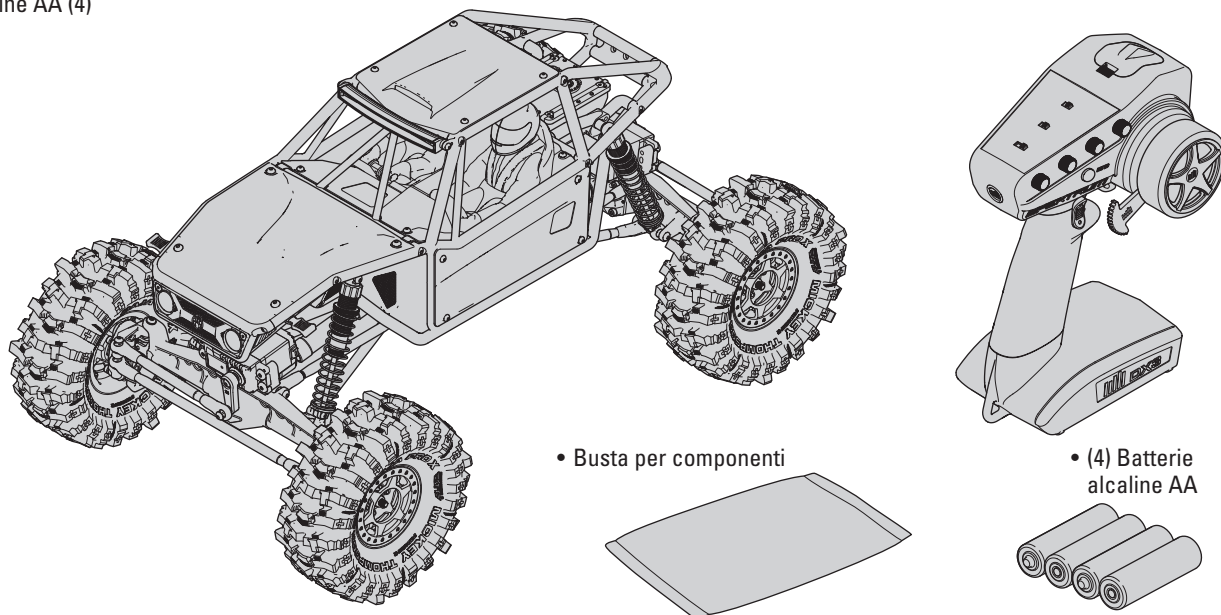
- Togliere la batteria ed asciugarne i contatti. Se avete un compressore o una bombola di aria compressa, soffiare via l'eventuale acqua rimasta all'interno del connettore.
- Smontate le ruote/gomme dal veicolo e risciacquatele con attenzione per togliere il fango e la polvere usando un getto di acqua. Evitate di risciacquare i cuscinetti e la trasmissione.

AVVISO: Non usare acqua sotto pressione per pulire il vostro veicolo.

- Usate un compressore o una bombola di aria compressa per asciugare il veicolo e togliere i residui di acqua eventualmente rimasti nelle piccole fessure e negli angoli.
- Spruzzare un olio impermeabilizzante o un lubrificante su cuscinetti, elementi di fissaggio e altre parti metalliche. Non spruzzare sul motore.
- Lasciate che il veicolo si asciughi all'aria prima di riporlo. L'acqua (e l'olio) continuerà a sgocciolare per alcune ore.
- Smontate il veicolo più di frequente, ispezionando e lubrificando le parti seguenti:
 - I cuscinetti dei mozzi sugli assi anteriore e posteriore.
 - Tutte le scatole di trasmissione, ingranaggi e differenziali.
 - Pulite il motore con un adatto prodotto aerosol e rilubrificare le boccole con olio leggero per motore.

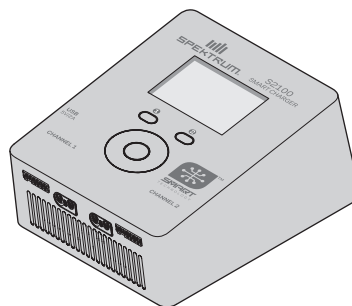
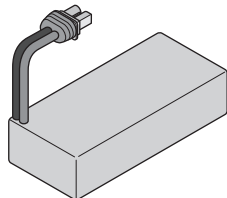
CONTENUTO DELLA SCATOLA

- Radiotrasmittente Spektrum DX3 3 Ch 2,4 GHz (SPM2340)
- Capra™ 1.9 4WS Unlimited Trail Buggy RTR
 - Motore elettrico 35T (AXI-1376)
 - Servo ingranaggio in metallo S683 25T WP (SPMS683)
 - ESC Spektrum™ Firma™ 40 A con spazzole impermeabile, 2S-3S: IC3 (SPMXSE1040)
 - Ricevitore Spektrum™ SR515 DSMR 5 canali Sport (SPMSR515)
- Batterie alcaline AA (4)

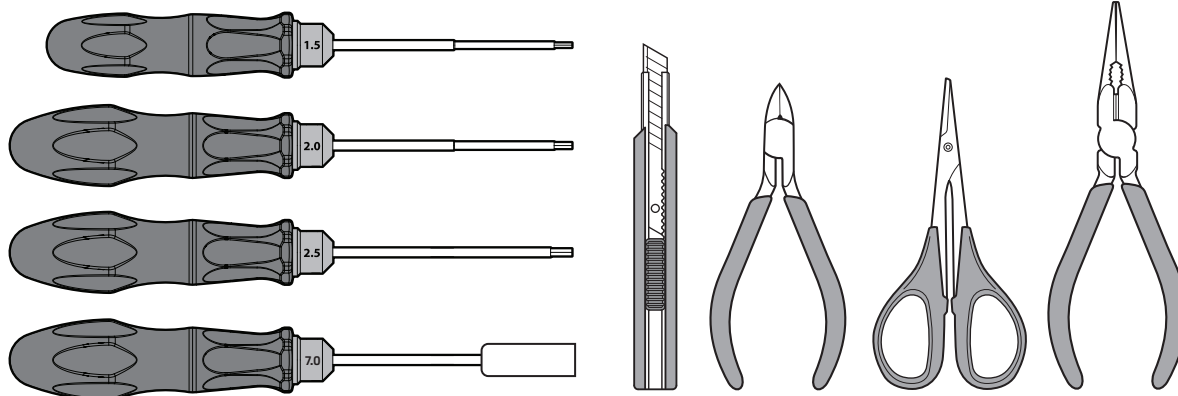


APPARECCHIATURE NECESSARIE

- Batteria LiPo 2-3S "Corta" (Larghezza massima 96 mm, connettore IC3 richiesto)
- Caricabatterie compatibile con la batteria scelta per il veicolo



RECOMMENDED TOOLS



- Cacciaviti esagonali: (1,5, 2,0, 2,5 mm)
- Chiave per dadi 7 mm

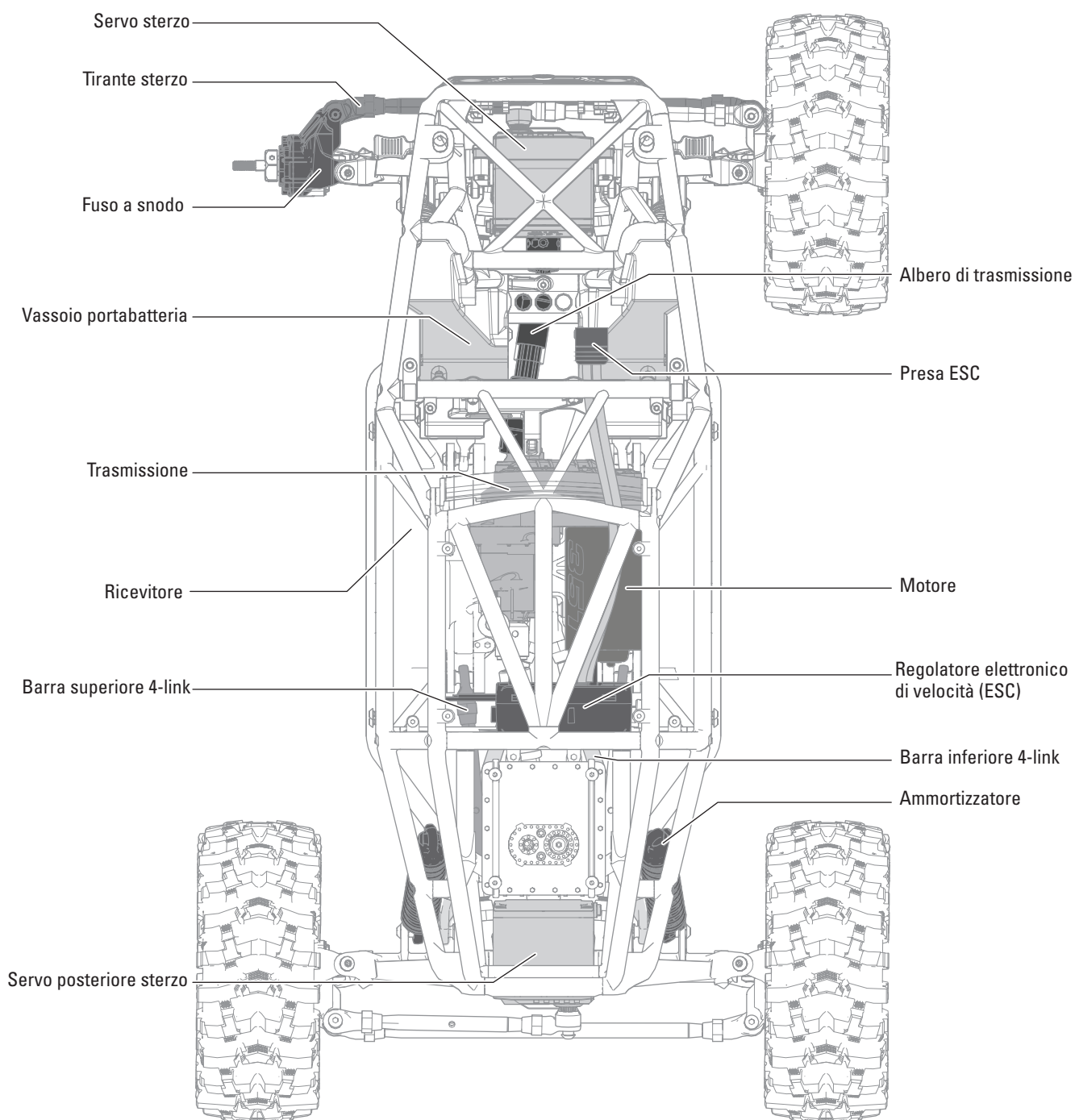
- Taglierino
- Tronchesino
- Forbici curve
- Pinze a becchi lunghi

LISTA DI CONTROLLO PRE-UTILIZZO

Leggere il manuale
Acquisire familiarità con il veicolo e i suoi componenti
Verificare che tutte le viti, in particolare le viti di fissaggio dell'albero di trasmissione, siano state ben serrate in fabbrica
Caricare la batteria del veicolo
Installare 4 batterie AA nella trasmittente
Accendere la trasmittente

Installare la batteria del veicolo nel modello
Verificare il corretto funzionamento dell'acceleratore e dello sterzo
Provare la portata del radiocomando
Ora è possibile pilotare il veicolo e mettersi alla prova: BUON DIVERTIMENTO!
Realizzare eventuali operazioni di manutenzione necessarie sul veicolo

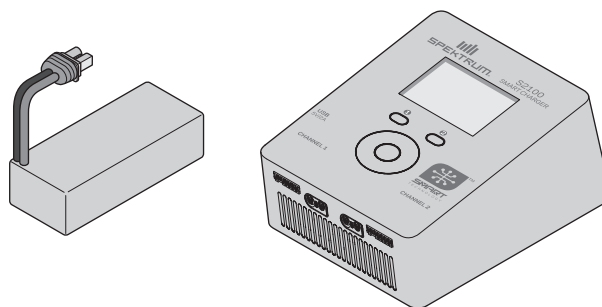
PARTI DEL VEICOLO



CARICARE LA BATTERIA DEL VEICOLO

Seguire le istruzioni del produttore affinché il caricabatterie carichi correttamente la batteria del veicolo.

ATTENZIONE: utilizzare esclusivamente caricabatterie progettati per la ricarica del tipo di batteria scelto. Utilizzando un caricabatterie errato o con impostazioni inadeguate, la batteria potrebbe prendere fuoco o esplodere.



INSTALLARE LE BATTERIE DEL TRASMETTITORE

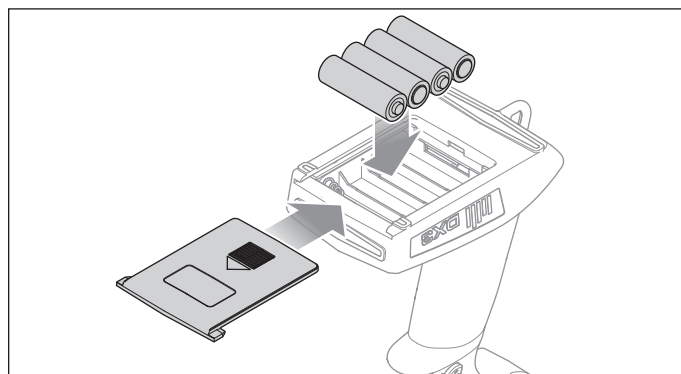
Per questo trasmettitore servono 4 pile AA.

1. Togliere il coperchio del portapile dal trasmettitore.
2. Inserire le pile come illustrato.
3. Rimettere a posto il coperchio del portapile.

ATTENZIONE: Non rimuovere mai le batterie dal trasmettitore mentre il modello è acceso. Una perdita di controllo del modello, danni o lesioni potrebbe verificarsi.

ATTENZIONE: se si usano anche le batterie ricaricabili, si raccomanda di caricare solo queste. È pericoloso caricare le pile a secco perché potrebbero esplodere causando lesioni e/o danni.

ATTENZIONE: se le batterie vengono sostituite con tipi non adatti, potrebbero esplodere. Le batterie si devono smaltire nel modo corretto secondo le disposizioni locali.



FUNZIONI DELLA TRASMETTENTE

A/B. PULSANTE CANALE 3 (FUNZIONE 4 RUOTE STERZANTI)

C. GAS/FRENO

D. VOLANTINO STERZO

E. RATEO STERZO

Regola il fine corsa dello sterzo

F. RATEO FRENO

Regola il fine corsa del freno.

G. TRIM STERZO

Regola il punto centrale dello sterzo. Il trim dello sterzo è solitamente regolato fino a ottenere la marcia del veicolo in linea retta.

H. TRIM GAS

Regola il punto neutro del gas

I. INDICATORE DI LIVELLO DELLA BATTERIA SMART

J. INVERSIONE CORSA SERVO

Per invertire il canale di gas (TH) o sterzo (ST), impostare il corrispondente interruttore su "N" per normale, "R" per inversione.

K. LIMITE GAS

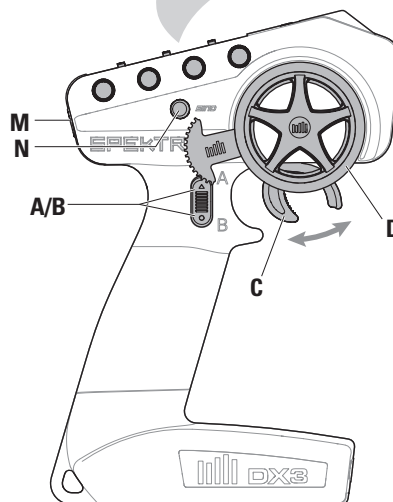
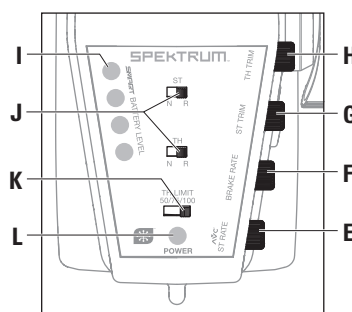
Limita la potenza del motore al 50/75/100%
Selezionare 50% o 75% per i piloti meno esperti e quando si pilota il modello in spazi ridotti.

L. LED ON/OFF

- **Luci rosse fisse:** connessione radio presente e carica della batteria adeguata
- **Luci rosse lampeggianti:** la tensione della batteria è eccessivamente bassa. Sostituire le batterie

M. PULSANTE DI ACCENSIONE

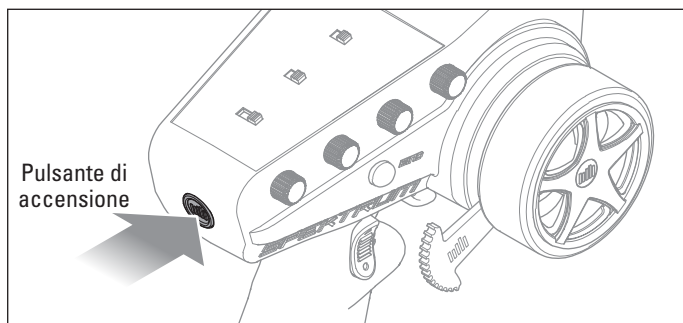
N. TASTO DI BINDING



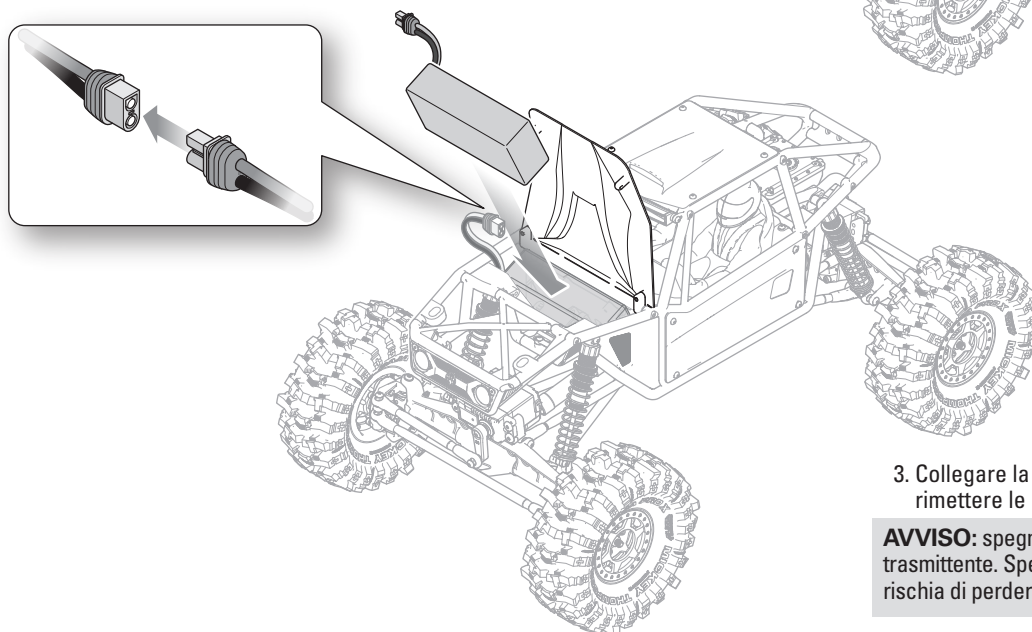
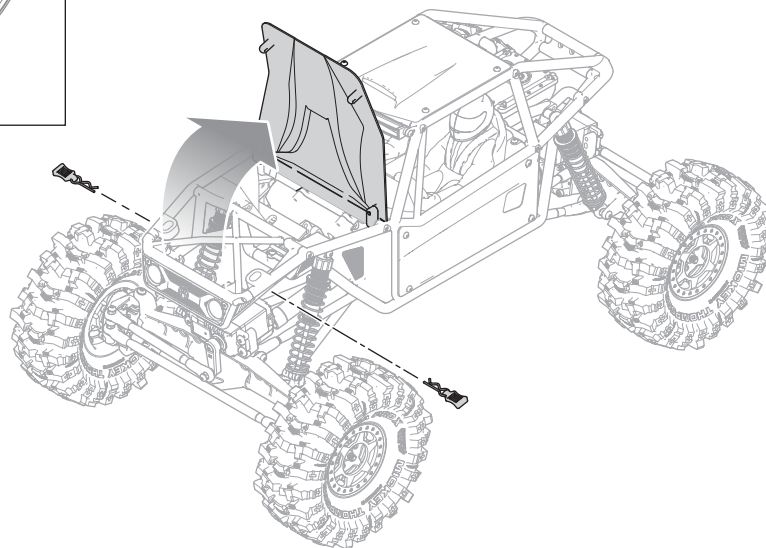
INSTALLARE LA BATTERIA DEL VEICOLO

AVVISO: l'alimentazione del veicolo viene controllata collegando e scollegando la batteria dell'ESC. Accendere sempre la trasmittente prima di collegare la batteria del veicolo. Scollegare sempre la batteria dall'ESC se inutilizzato.

1. Accendere la trasmittente.



2. Rimuovere le clip della carrozzeria e aprire il cofano.



3. Collegare la batteria all'ESC. Chiudere il cofano e rimettere le clip della carrozzeria.

AVVISO: spegnere prima il veicolo e solo dopo la trasmittente. Spegnerlo per prima la trasmittente si rischia di perdere il controllo del veicolo.

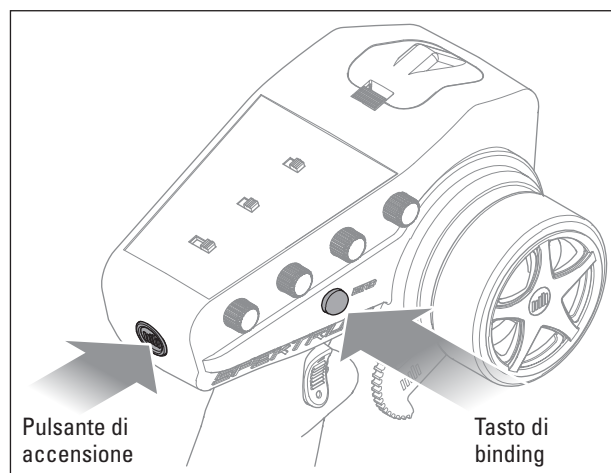
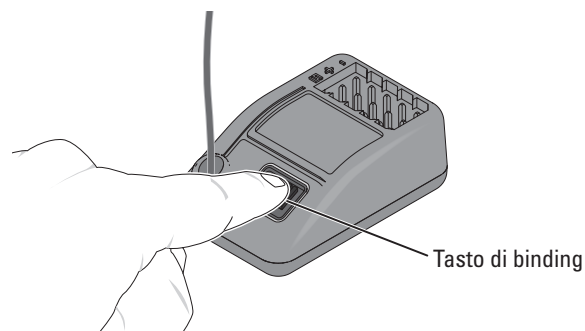
CONNESSIONE (BINDING)

Il binding è la procedura di programmazione con la quale il ricevitore impara a riconoscere il codice identificativo universalmente univoco GUID (Globally Unique Identifier) della trasmittente a cui viene associato.

1. Accendere il ricevitore.
2. Premere il pulsante di binding rapidamente per 3 volte (entro 1,5 s dalla prima pressione).
Il LED lampeggia con una pausa.
3. Impostare i trim e le posizioni dei comandi sulle impostazioni di failsafe desiderate e accendere la trasmittente SLT3.
4. Quando il LED della trasmittente SLT3 e il LED del ricevitore rimangono accesi, il binding è completo.

Il binding va ripetuto quando:

- Si desiderano modificare le posizioni di failsafe, per esempio quando si invertono le funzioni di sterzo e gas.
- Si connette il ricevitore a una nuova trasmittente.



PROVARE LA PORTATA DEL RADIOCOMANDO

È opportuno testare il radiocomando prima di azionare il veicolo per garantirne il corretto funzionamento e una buona portata.

1. Accendere la trasmittente.
2. Collegare la batteria nel veicolo.
3. Chiedere a un'altra persona di reggere il veicolo tenendo mani e lembi di vestiario non aderenti lontano dalle parti mobili.
4. Allontanarsi fino a raggiungere la distanza massima di funzionamento pianificata dal veicolo.
5. Girare il volantino dello sterzo da un lato e dall'altro e azionare l'acceleratore, avanti e indietro, per verificare la presenza di eventuali comportamenti anomali.
6. In tal caso, NON utilizzare il veicolo. Chiamare il centro assistenza per ricevere aiuto.

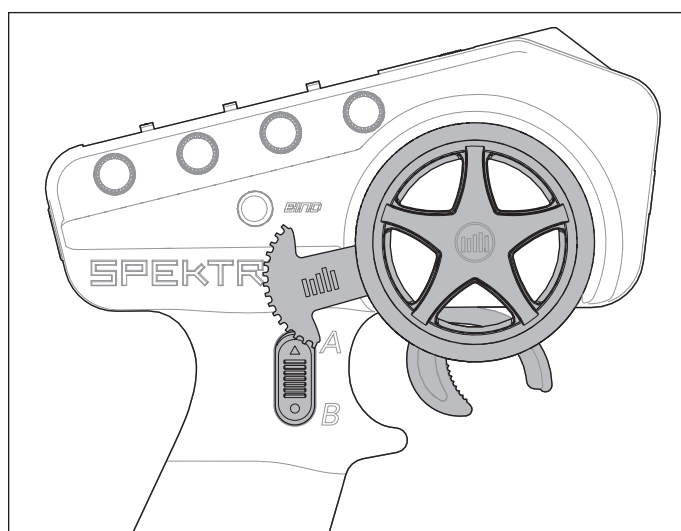


UTILIZZO DELLA MODALITÀ A 4 RUOTE STERZANTI

Il modello dispone di una modalità di sterzo a 4 ruote sterzanti. Le ruote posteriori sono controllate tramite l'interruttore A/B della trasmittente. Lo sterzo passa a una delle cinque possibili posizioni: centrato; 50% nell'una o nell'altra direzione; 100% nell'una o nell'altra direzione.

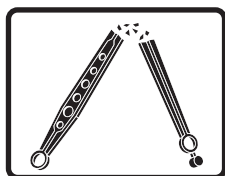
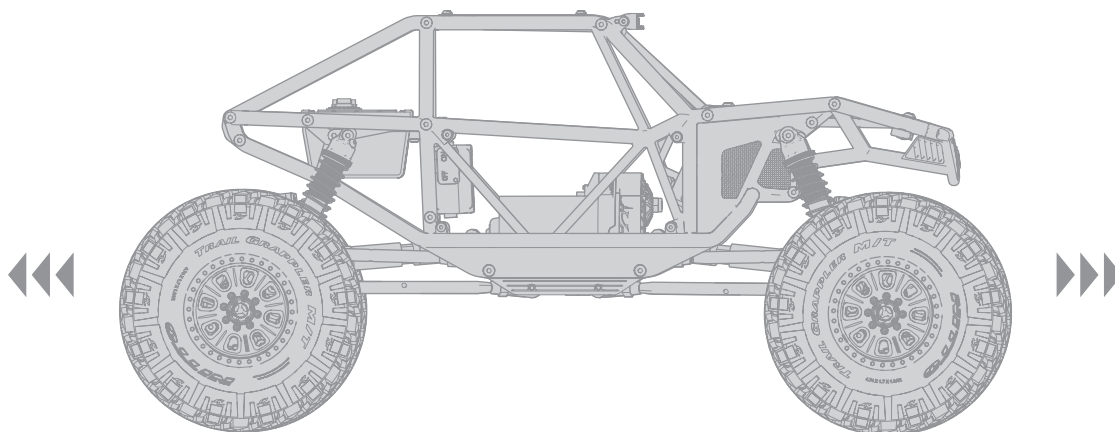
Per attivare lo sterzo:

1. Premere il pulsante A o B una volta per spostare lo sterzo delle ruote posteriori al 50% di corsa.
2. Premere lo stesso pulsante due volte per passare al 100% della corsa nella stessa direzione.
3. Premere il pulsante opposto tre volte per ricentrare le ruote posteriori.

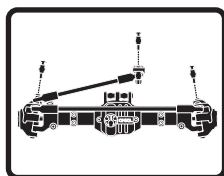


MANUTENZIONE DEL VEICOLO

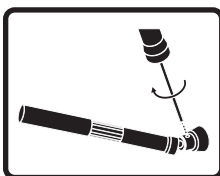
Proprio come una macchina o un pick-up a grandezza naturale, il modello RC deve essere sottoposto a regolare manutenzione per garantire prestazioni ottimali. La manutenzione preventiva consente anche di evitare inutili rotture dei componenti che potrebbero richiedere riparazioni costose. Di seguito vengono forniti alcuni suggerimenti per una manutenzione adeguata del veicolo.



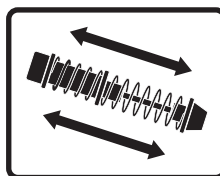
Sostituire eventuali componenti visibilmente piegati o danneggiati



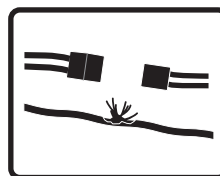
Verificare l'usura dei giunti sferici delle bielle dello sterzo e delle sospensioni (sostituirli se necessario)



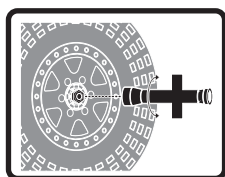
Verificare le viti di fissaggio dell'albero di trasmissione e applicare dei frenafili se necessario



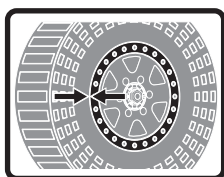
Verificare che gli ammortizzatori operino in modo fluido e regolare



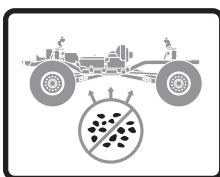
Verificare la presenza di parti allentate o cavi danneggiati



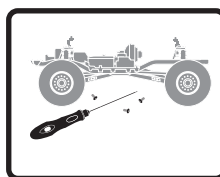
Verificare che i dadi delle ruote siano ben serrati



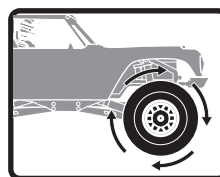
Assicurarsi che i talloni delle ruote aderiscano ancora perfettamente lungo tutta la circonferenza del cerchione



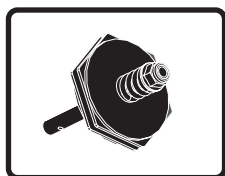
Mantenere il telaio privo di sporco o detriti



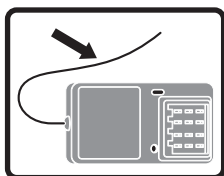
Verificare la presenza di viti allentate sul telaio, in particolare le viti di blocco dello snodo, del mozzo centrale e dell'assale



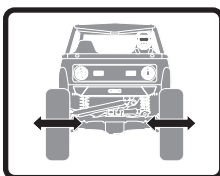
Verificare che la trasmissione operi in modo fluido e senza impedimenti



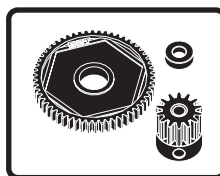
Se presente, verificare il funzionamento della frizione antisaltellamento



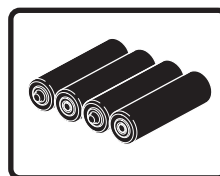
Verificare che l'antenna del ricevitore non sia danneggiata



Verificare che lo sterzo si muova liberamente

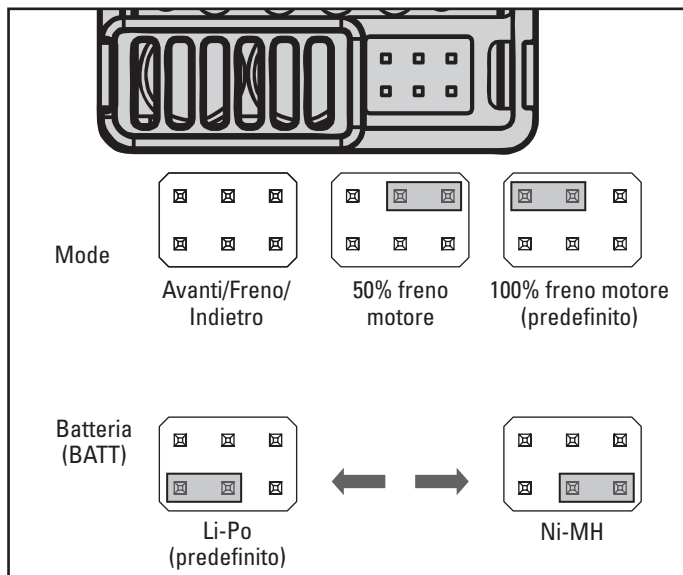
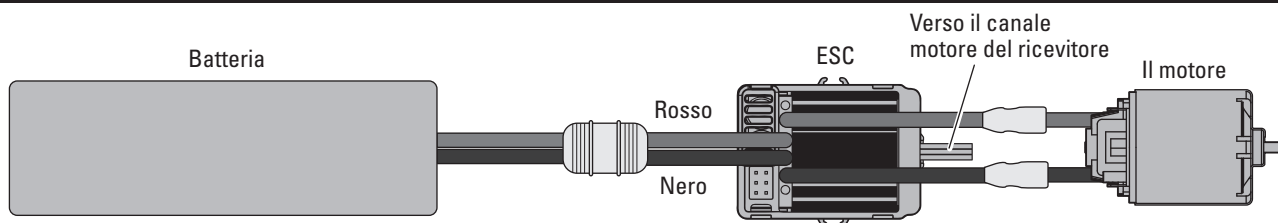


Ispezionare la corona e il pignone per verificare la presenza di danni



Sostituire le batterie della trasmittente quando indicato dalla trasmittente, come descritto al paragrafo 'Funzioni della trasmittente'

FIRMA 40A ESC



IMPOSTAZIONI INIZIALI

La calibrazione dell'acceleratore non dovrebbe essere necessaria al primo utilizzo dopo l'acquisto. Tuttavia, per regolare la corsa dell'acceleratore di diverse trasmettenti, è necessario calibrare l'ESC:

- montare l'ESC in un luogo ben ventilato e al riparo da vibrazioni o urti.
- Collegare i cavi del motore dell'ESC al motore rispettando i colori dei connettori, rosso-rosso e nero-nero.
- Collegare il ricevitore al canale del motore del ricevitore.
- Prima di inserire la batteria nell'ESC, assicurarsi che la trasmettente sia accesa e che il trim del motore sia su zero.
- Collegare la batteria all'ESC. Il veicolo si accenderà dopo aver collegato la batteria.

ATTENZIONE: tenere parti del corpo e lembi di vestiario non aderenti lontano dalle parti mobili quando la batteria è collegata all'ESC.

ATTENZIONE: collegare sempre l'ESC a una fonte di alimentazione idonea, con tensione e polarità corretti. Valori di tensione errati o polarità inversa possono danneggiare l'ESC. Eventuali danni all'ESC causati da tensione o polarità inadeguate non sono coperti dalla garanzia.

- Testare la marcia avanti e la retromarcia usando la trasmettente.

SPECIFICHE

Tipo	a spazzole
Costante/Picco	40 A / 180A
Resistenza	0,002 Ohm
Funzione	Avanti/Freno/Indietro, Avanti/Freno, Avanti/Indietro (Modo Crawler)
Tipo veicolo	1/10 On-road e Off-road; 1/10 Rock Crawler
Utilizzo	Proporzionale avanti, proporzionale indietro con ritardo in frenata, modo Crawler
Tipo batteria/Tensione di ingresso	2-3 celle Li-Po/Li-Fe; 5-9 celle Ni-MH/Ni-Cd
Tipo motore	2S Li-Po fino a min 12T; 3S Li-Po fino a min 18T
Uscita BEC	6 V/3 A
Dimensioni	46,5 mm x 34 mm x 28,5 mm
Peso	70 g
Connettore batteria	Connettore IC3

INDICATORE SONORO

UTILIZZO	SUONI
Batteria Ni-MH/Ni-CD	1 segnale acustico breve
Batteria 2S Li-Po	2 segnali acustici brevi
Batteria 3S Li-Po	3 segnali acustici brevi
Predisposizione per ESC	1 segnale acustico lungo

PER CALIBRARE L'ESC:

- accendere la trasmettente e mettere il comando motore in posizione neutra.
- Collegare la batteria all'ESC e attendere 3 secondi affinché l'ESC avvii l'auto-verifica e la calibrazione automatica dell'acceleratore.
- L'ESC è pronto all'uso quando il motore emette un segnale acustico lungo.
- Scollegare sempre la batteria se il veicolo è inutilizzato.

IMPORTANTE: Il blocco della batteria LiPo è impostato su "ON" in fabbrica.

GUIDA ALLA RISOLUZIONE DEI PROBLEMI

PROBLEMA	POSSIBILE CAUSA	SOLUZIONE
Il sistema non si collega	Trasmittente e ricevitore sono troppo vicini tra loro	Spostare la trasmittente a 2,5-4 m dal ricevitore
	Si è in prossimità di oggetti metallici	Allontanarsi dagli oggetti metallici
	Ricevitore associato a un diverso modello di memoria	Assicurarsi che nella trasmittente sia attivo il modello di memoria corretto
	La trasmittente è stata impostata in modalità di binding e non è più associata al ricevitore	Ripetere il binding tra trasmittente e ricevitore e poi ricalibrazione
Il ricevitore va in modalità failsafe a breve distanza dal trasmettitore	Controllare che l'antenna del ricevitore sia integra	L'antenna deve essere in posizione protetta e quanto più in alto possibile Sostituire il ricevitore o contattare il supporto tecnico Horizon
	Bassa tensione dalla batteria del ricevitore. Se la tensione è bassa, la batteria può scendere per un istante sotto i 3,5 V, provocando uno sbalzo di tensione del ricevitore e successiva riconnessione	Caricare la batteria del veicolo o del ricevitore. I ricevitori Spektrum necessitano di almeno 3,5 V per funzionare
Il ricevitore smette di rispondere durante il funzionamento	Fili o connettori tra batteria e ricevitore allentati o danneggiati	Controllare i fili e il collegamento tra batteria e ricevitore. Riparare o sostituire i fili e/o i connettori
	Le batterie non sono state installate correttamente nella trasmittente	Assicurarsi che le batterie della trasmittente siano installate correttamente
Il veicolo non si muove	Batteria scarica o assente nel veicolo	Installare una batteria appena ricaricata sul veicolo
	Motore danneggiato	Sostituire il motore
	Cavi danneggiati o rotti	Sostituire i cavi danneggiati
	L'ESC viene spento dal circuito di protezione termica	Lasciare raffreddare completamente l'ESC
	Antenna posizionata in modo errato	Assicurarsi che l'antenna della trasmittente non sia bloccata e che l'antenna del ricevitore sia posizionata correttamente
Perdita del controllo del veicolo	Batterie scariche o assenti nel veicolo	Installare una batteria appena ricaricata sul veicolo e batteria nuove sulla trasmittente
	Posizione neutra o del trim errata	Regolare il trim dello sterzo
	Ricevitore e/o batteria non collegati correttamente	Verificare tutti i collegamenti del ricevitore e della batteria
La funzione sterzo e/o acceleratore è invertita	La corsa del servo è invertita a livello della trasmittente	Mettere in posizione corretta l'interruttore d'inversione della corsa del servo sulla trasmittente
	I cavi del motore non sono collegati correttamente	Verificare che tutti i cavi del motore abbiano polarità corretta e siano ben collegati
ESC ON – No azionamento motore, bip o LED	Problema di connessione/batteria	Ricaricare/sostituire la batteria. Controllare tutte le connessioni
	ESC o interruttore danneggiati	Riparare/sostituire ESC/interruttore ESC
	Motore danneggiato	Riparare/sostituire
Motore – Si arresta e il LED lampeggia	Protezione da bassa tensione	Se il LED dell'ESC lampeggia, ricaricare/sostituire la batteria
	Protezione da surriscaldamento	Se il LED lampeggia, far raffreddare il motore/ESC, cambiare impostazioni o la combinazione pignone e corona per evitare il surriscaldamento
Motore – Accelera in modo irregolare	Problema con la batteria	Riparare il cablaggio danneggiato/sostituire la batteria
	Combinazione pignone e corona errata	Regolare/sostituire
	Motore danneggiato o usurato	Riparare/sostituire il motore
Motore – Risposta irregolare al comando del gas	ESC/motore danneggiato	Riparare/sostituire il cablaggio o il motore/ESC
Motore – Rallenta ma non si ferma	Calibrazione trasmittente/ESC errata	Regolare la corsa e le altre impostazioni del comando del gas sulla trasmittente/ESC. Ripetere la procedura di calibrazione dell'ESC
Servo di sterzata – In funzione; il motore non gira	Motore danneggiato	Provare il motore separatamente dal sistema del veicolo, riparare/sostituire come necessario
	Calibrazione trasmittente/ESC errata	Regolare la corsa e le altre impostazioni del comando del gas sulla trasmittente/ESC. Ripetere la procedura di calibrazione dell'ESC
Sterzo/motore – Non funzionanti	Tensione batteria bassa	Ricaricare/sostituire
	Modello memoria selezionato nella trasmittente errato	Selezionare sulla trasmittente le impostazioni modello corrette; vedere il manuale di ricevitore e/o trasmittente
	Ricevitore non associato alla trasmittente	Associare trasmittente e ricevitore; vedere il manuale di ricevitore e/o trasmittente
Veicolo – Non raggiunge la velocità max	Problema con la batteria	Ricaricare/sostituire
	Calibrazione trasmittente/ESC errata	Regolare la corsa e le altre impostazioni del comando del gas sulla trasmittente/ESC. Ripetere la procedura di calibrazione dell'ESC

GARANZIA

Periodo di garanzia

Garanzia esclusiva - Horizon Hobby, LLC (Horizon) garantisce che il prodotto acquistato (il "Prodotto") sarà privo di difetti relativi ai materiali e di eventuali errori di montaggio alla data di acquisto. Il periodo di garanzia è conforme alle disposizioni legali del paese nel quale il prodotto è stato acquistato. Tale periodo di garanzia ammonta a 6 mesi e si estende ad altri 18 mesi dopo tale termine.

Limiti della garanzia

- La garanzia è limitata all'acquirente originale (Acquirente) e non è cedibile a terzi. L'acquirente ha il diritto a far riparare o a far sostituire la merce durante il periodo di questa garanzia. La garanzia copre solo quei prodotti acquistati presso un rivenditore autorizzato Horizon. Altre transazioni di terze parti non sono coperte da questa garanzia. La prova di acquisto è necessaria per far valere il diritto di garanzia. Inoltre, Horizon si riserva il diritto di cambiare o modificare i termini di questa garanzia senza alcun preavviso e di escludere tutte le altre garanzie già esistenti.
- Horizon non si assume alcuna garanzia per la disponibilità del prodotto, per l'adeguatezza o l'idoneità del prodotto a particolari previsti dall'utente. È sola responsabilità dell'acquirente il fatto di verificare se il prodotto è adatto agli scopi da lui previsti.
- Richiesta dell'acquirente – spetta soltanto a Horizon, a propria discrezione riparare o sostituire qualsiasi prodotto considerato difettoso e che rientra nei termini di garanzia. Queste sono le uniche rivalse a cui l'acquirente si può appellare, se un prodotto è difettoso.

Horizon si riserva il diritto di controllare qualsiasi componente utilizzato che viene coinvolto nella rivalsa di garanzia. Le decisioni relative alla sostituzione o alla riparazione sono a discrezione di Horizon. Questa garanzia non copre dei danni superficiali o danni per cause di forza maggiore, uso errato del prodotto, un utilizzo che viola qualsiasi legge, regolamentazione o disposizione applicabile, negligenza, uso ai fini commerciali, o una qualsiasi modifica a qualsiasi parte del prodotto.

Questa garanzia non copre danni dovuti ad un'installazione errata, ad un funzionamento errato, ad una manutenzione o un tentativo di riparazione non idonei a cura di soggetti diversi da Horizon. La restituzione del prodotto a cura dell'acquirente, o da un suo rappresentante, deve essere approvata per iscritto dalla Horizon.

Limiti di danno

Horizon non si riterrà responsabile per danni speciali, diretti, indiretti o consequenziali; perdita di profitto o di produzione; perdita commerciale connessa al prodotto, indipendentemente dal fatto che la richiesta si basa su un contratto o sulla garanzia. Inoltre la responsabilità di Horizon non supera mai in nessun caso il prezzo di acquisto del prodotto per il quale si chiede la responsabilità. Horizon non ha alcun controllo sul montaggio, sull'utilizzo o sulla manutenzione del prodotto o di combinazioni di vari prodotti. Quindi Horizon non accetta nessuna responsabilità per danni o lesioni derivanti da tali circostanze. Con l'utilizzo e il montaggio del prodotto l'utente acconsente a tutte le condizioni, limitazioni e riserve di garanzia citate in questa sede.

Qualora l'utente non fosse pronto ad assumersi tale responsabilità associata all'uso del prodotto, si suggerisce di restituire il prodotto intatto, mai usato e immediatamente presso il venditore.

Indicazioni di sicurezza

Questo è un prodotto sofisticato di hobbistica e non è un giocattolo. Esso deve essere manipolato con cautela, con giudizio e richiede delle conoscenze basilari di meccanica e delle facoltà mentali di base. Se il prodotto non verrà manipolato in maniera sicura e responsabile potrebbero risultare delle lesioni, dei gravi danni a persone, al prodotto o all'ambiente circostante. Questo prodotto non è concepito per essere usato dai bambini senza una diretta supervisione di un adulto. Il manuale del prodotto contiene le istruzioni di sicurezza, di funzionamento e di manutenzione del prodotto stesso. È fondamentale leggere e seguire tutte le istruzioni e le avvertenze nel manuale prima di mettere in funzione il prodotto. Solo così si eviterà un utilizzo errato e si preverranno incidenti, lesioni o danni.

Domande, assistenza e riparazioni

Il vostro negozio locale e/o luogo di acquisto non possono fornire garanzie di assistenza o riparazione senza previo colloquio con Horizon. Questo vale anche per le riparazioni in garanzia. Quindi in tali casi bisogna interpellare un rivenditore, che si metterà in contatto subito con Horizon per prendere una decisione che vi possa aiutare nel più breve tempo possibile.

Manutenzione e riparazione

Se il prodotto deve essere ispezionato o riparato, si prega di rivolgersi ad un rivenditore specializzato o direttamente ad Horizon. Il prodotto deve essere imballato con cura. Bisogna far notare che i box originali solitamente non sono adatti per effettuare una spedizione senza subire alcun danno. Bisogna effettuare una spedizione via corriere che fornisce una tracciabilità e un'assicurazione, in quanto Horizon non si assume alcuna responsabilità in relazione alla spedizione del prodotto. Inserire il prodotto in una busta assieme ad una descrizione dettagliata degli errori e ad una lista di tutti i singoli componenti spediti. Inoltre abbiamo bisogno di un indirizzo completo, di un numero di telefono per chiedere ulteriori domande e di un indirizzo e-mail.

Garanzia e riparazione

Le richieste in garanzia verranno elaborate solo se è presente una prova d'acquisto in originale proveniente da un rivenditore specializzato autorizzato, nella quale è ben visibile la data di acquisto. Se la garanzia viene confermata, allora il prodotto verrà riparato o sostituito. Questa decisione spetta esclusivamente a Horizon Hobby.

Riparazioni a pagamento

Se bisogna effettuare una riparazione a pagamento, effettueremo un preventivo che verrà inoltrato al vostro rivenditore. La riparazione verrà effettuata dopo l'autorizzazione da parte del vostro rivenditore. La somma per la riparazione dovrà essere pagata al vostro rivenditore. Le riparazioni a pagamento avranno un costo minimo di 30 minuti di lavoro e in fattura includeranno le spese di restituzione. Qualsiasi riparazione non pagata e non richiesta entro 90 giorni verrà considerata abbandonata e verrà gestita di conseguenza.

ATTENZIONE: Le riparazioni a pagamento sono disponibili solo sull'elettronica e sui motori. Le riparazioni a livello meccanico, soprattutto per gli elicotteri e le vetture RC, sono molto costose e devono essere effettuate autonomamente dall'acquirente.

10/15

GARANZIA E ASSISTENZA - INFORMAZIONI PER I CONTATTI

STATO DI ACQUISTO	HORIZON HOBBY	TELEFONO/INDIRIZZO E-MAIL	INDIRIZZO
Unione Europea	Horizon Technischer Service Sales: Horizon Hobby GmbH	service@horizonhobby.de +49 (0) 4121 2655 100	Hanskampring 9 D 22885 Barsbüttel, Germany

DICHIARAZIONE DI CONFORMITÀ PER L'UNIONE EUROPEA

CE DICHIARAZIONE DI CONFORMITÀ UE: Axial SCX10 III Base Camp 4X4 Crawler RTR (AXI-1375)

Con la presente, Horizon Hobby, LLC dichiara che il dispositivo è conforme a quanto segue: Direttiva europea sulle apparecchiature radio (RED) 2014/53/UE; Direttiva RoHS 2 2011/65 / UE; Direttiva RoHS 3 - Modifica 2011/65 / UE allegato II 2015/863.

Il testo completo della dichiarazione di conformità UE è disponibile al seguente indirizzo internet: <https://www.horizonhobby.com/content/support-render-compliance>.

NOTA: questo prodotto contiene batterie coperte dalla direttiva europea 2006/66 / CE, che non possono essere smaltite con i rifiuti domestici. Attenersi alle normative locali.

Gamma di frequenza wireless / Potenza di uscita wireless

Trasmittitore

2403.0 - 2480.0 MHz
16.3 dBm

Ricevitore

2404-2476 MHz
-1.33dBm

Produttore ufficiale dell'UE:

Horizon Hobby, LLC
2904 Research Road
Champaign, IL 61822 USA

Importatore ufficiale dell'UE:

Horizon Hobby, GmbH
Hanskampring 9
22885 Barsbüttel Germany

AVVISO RAEE:



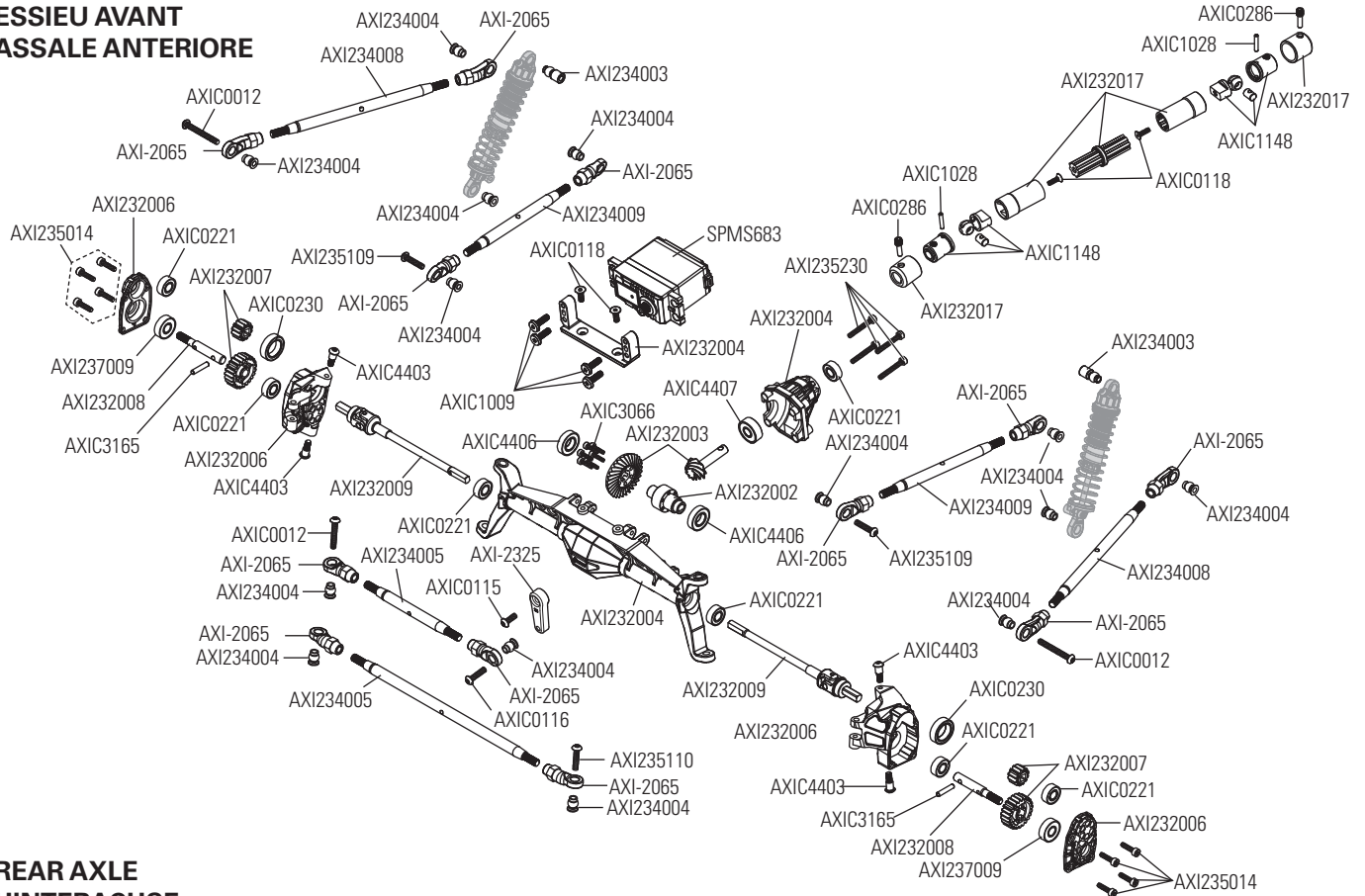
Questo dispositivo è marcato ai sensi della Direttiva europea 2012/19/UE riguardante i rifiuti di apparecchiature elettriche ed elettroniche (RAEE). Il simbolo indica che il prodotto non va smaltito insieme ai rifiuti domestici. Il prodotto deve essere consegnato agli appositi centri di raccolta per consentirne il recupero e il riciclaggio.

EXPLODED VIEWS // EXPLOSIONSZEICHNUNGEN // VUES ÉCLATÉES // VISTE ESPLOSE

VORDERACHSE

ESSIEU AVANT

ASSALE ANTERIORE

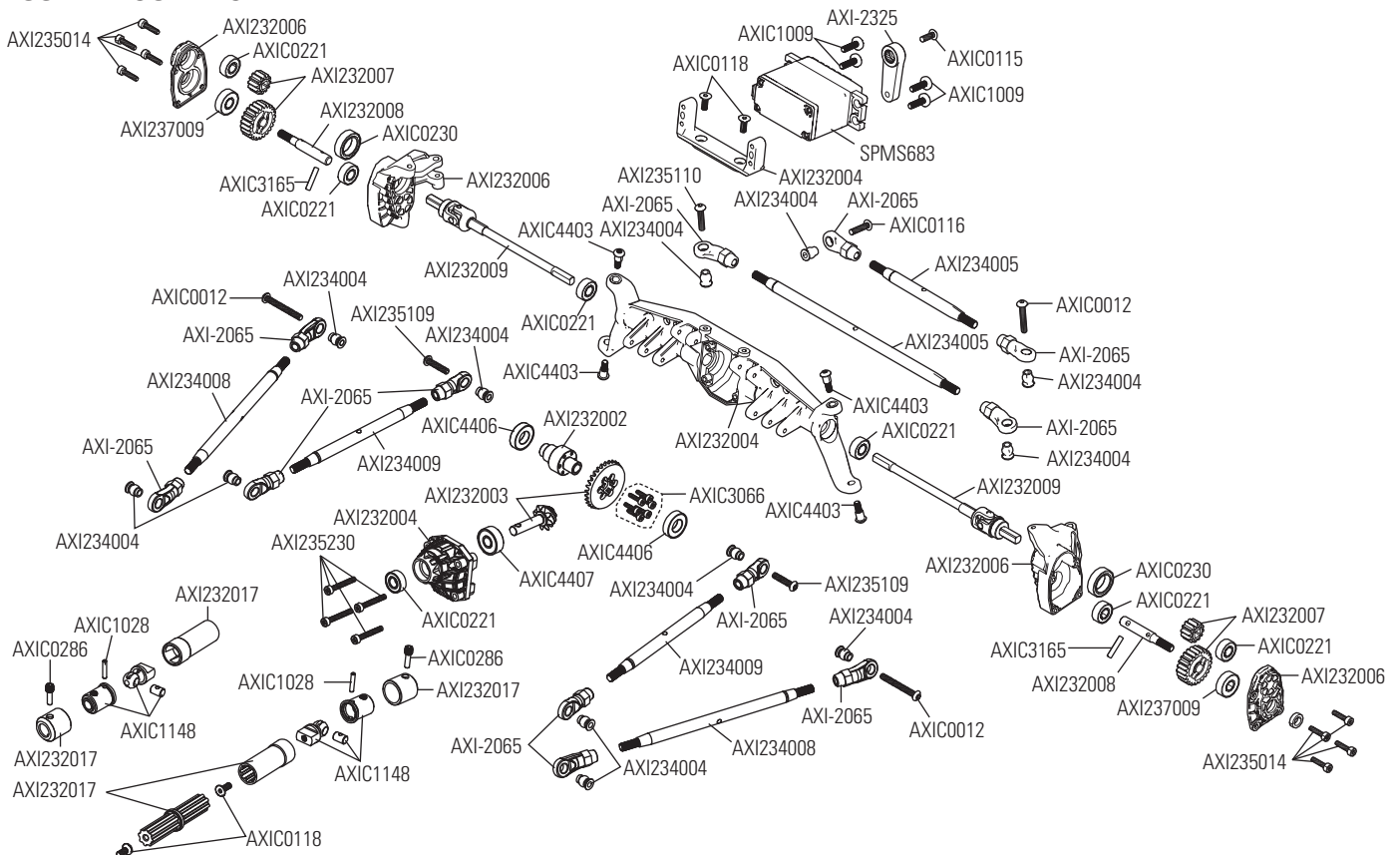


REAR AXLE

HINTERACHSE

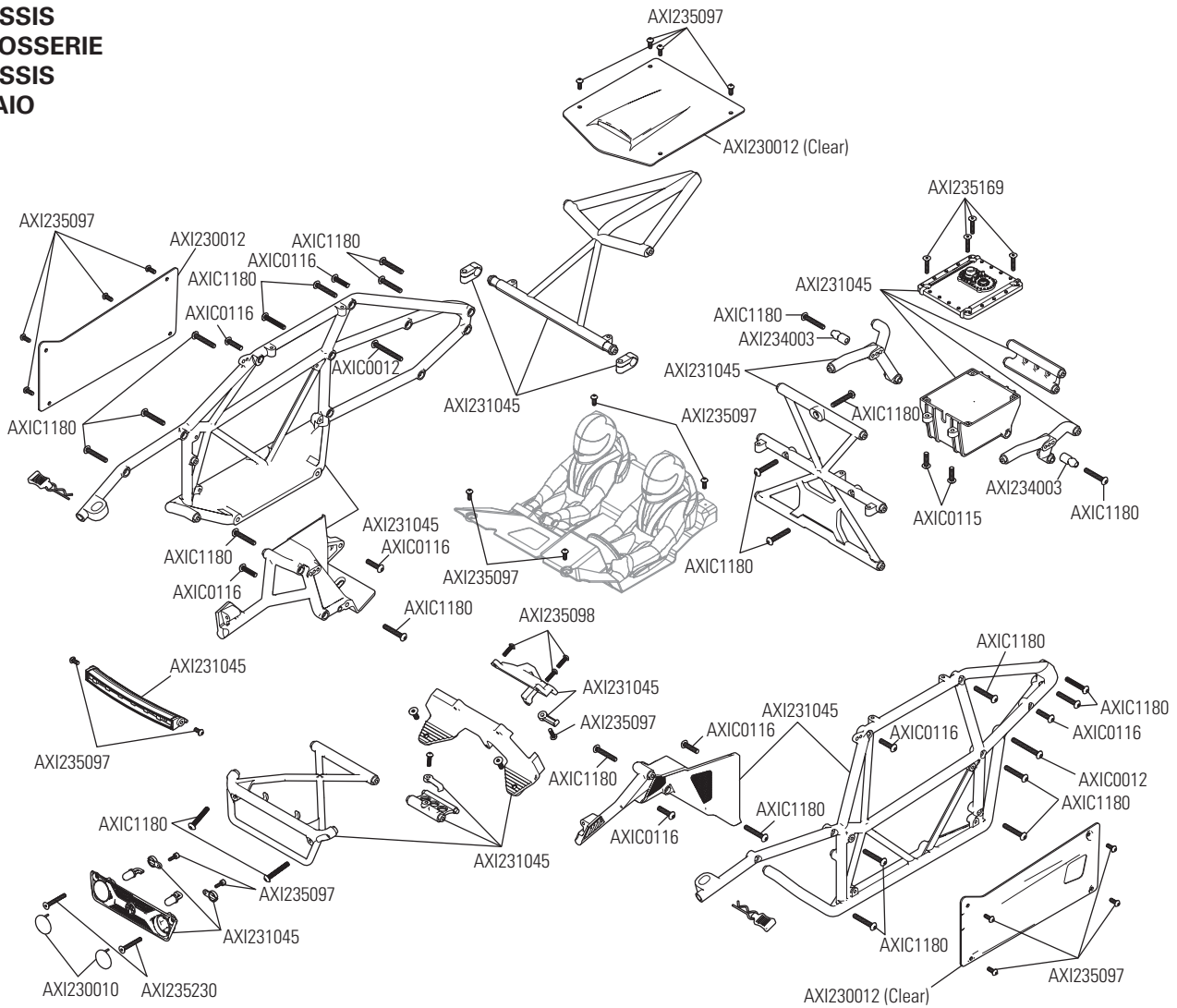
ESSIEU ARRIÈRE

ASSALE POSTERIORE

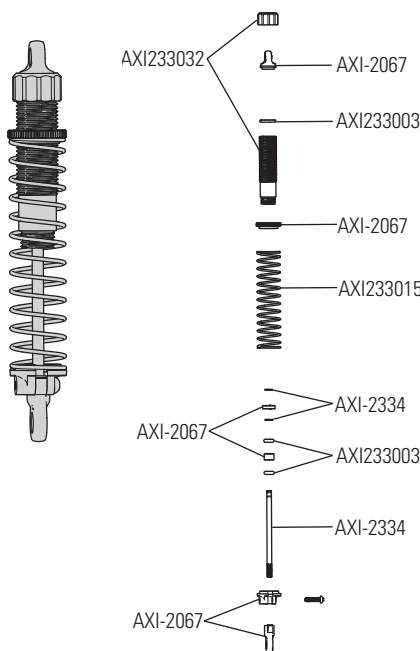


EXPLODED VIEWS // EXPLOSIONSZEICHNUNGEN // VUES ÉCLATÉES // VISTE ESPLOSE

CHASSIS KAROSSERIE CHÂSSIS TELAIO

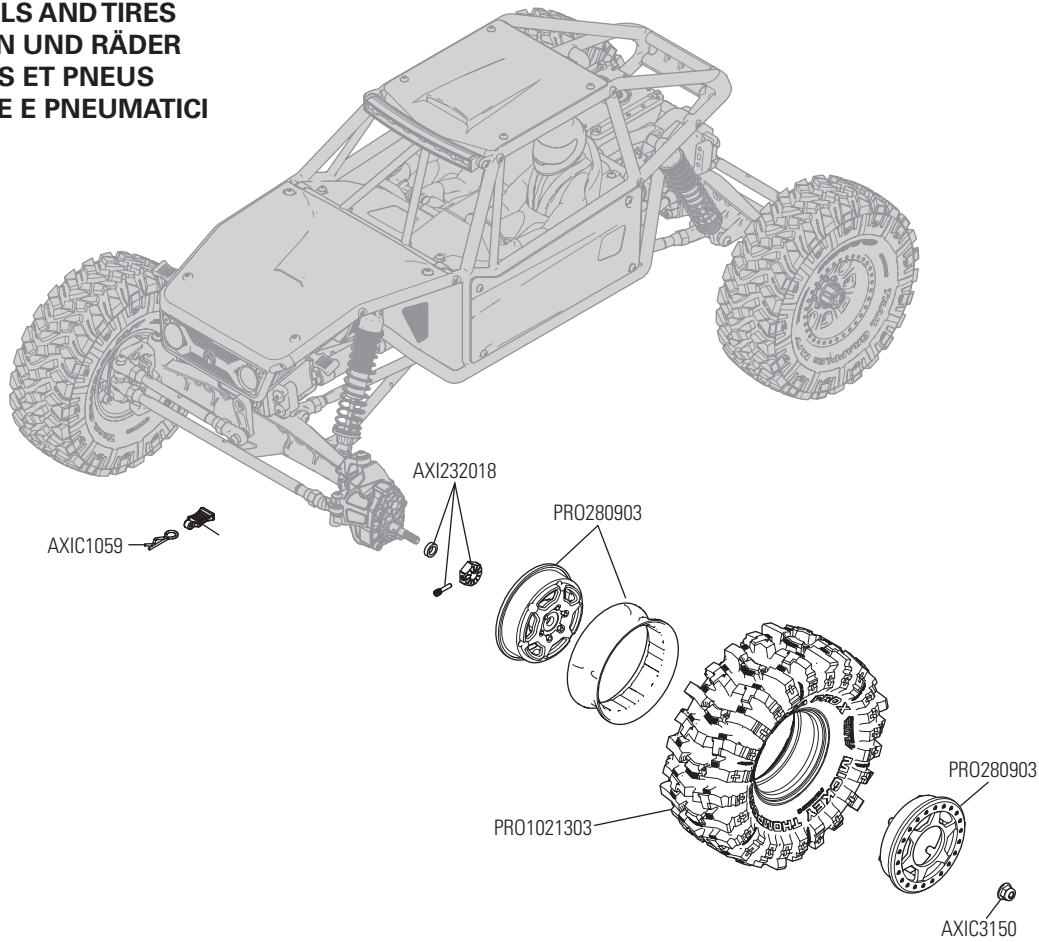


SHOCK ABSORBERS STOSSDÄMPFER AMORTISSEURS AMMORTIZZATORI



EXPLODED VIEWS // EXPLOSIONSZEICHNUNGEN // VUES ÉCLATÉES // VISTE ESPLOSE

**WHEELS AND TIRES
REIFEN UND RÄDER
ROUES ET PNEUS
RUOTE E PNEUMATICI**



PARTS LISTS // TEILELISTEN // LISTE DES PIÈCES // ELENCO COMPONENTI

Part #	Description	Beschreibung	Description	Descrizione
AXI235169	M2,5 X 12MM FLAT HEAD SCREW (10)	M2,5 X 12 MM FLACHKOPFSCHRAUBE (10)	VIS À TÊTE PLATE M2,5 X 12 MM (10)	VITI TESTA PIATTA M2.5X12 MM (10)
AXI235174	M3 X 6MM FLAT HEAD SCREW (10)	M3 X 6 MM, FLACHKOPFSCHRAUBE (10)	VIS À TÊTE PLATE M3 X 6 MM (10)	VITE A TESTA PIATTA M3X6 MM (10)
AXIC0149	HEX SOCKET FLAT HEAD M3X20MM BLACK (10)	M3 X 20 MM SECHSKANT-FLACHKOPF, SCHWARZ (10)	DOUILLE À SIX PANS À TÊTE PLATE M3 X 20 MM, NOIRE (10)	VITI TESTA PIATTA ES. INC. M3X20 MM NERO (10)
AXIC3150	SERRATED NYLON LOCK NUT BLACK 4MM (10)	NYLON-FESTSTELLFLANSCHMUTTER, SCHWARZ, 4 MM (10)	CONTRE-ÉCROU EN NYLON STRIÉ 4 MM (10)	CONTRODADO NYLON FLANGIATO NERO 4 MM (10)
AXI237009	5MM X 13MM X 4MM BALL BEARING (2)	5 MM X 13 MM X 4 MM KUGELLAGER (2)	ROULEMENT À BILLES 5 X 13 X 4 MM (2)	CUSCINETTO A SFERA 5X13X4 MM (2)
AXIC0146	HEX SOCKET FLAT HEAD M3X12MM BLACK (10)	M3 X 12 MM SECHSKANT-FLACHKOPF, SCHWARZ (10)	DOUILLE À SIX PANS À TÊTE PLATE M3 X 12 MM, NOIRE (10)	VITI TESTA PIANA ES. INC. M3X12 MM NERO (10)
AXIC0005	HEX SOCKET BUTTON HEAD BLACK M3X6MM (10)	M3 X 6 MM SECHSKANT-RUNDKOPF, SCHWARZ (10)	DOUILLE À SIX PANS À TÊTE BOMBÉE M3 X 6 MM, NOIRE (10)	VITI TESTA TONDA ES. INC. M3X6 MM NERO (10)
AXIC4407	BEARING 5X14X5MM (2)	LAGER 5 X 14 X 5 MM (2)	ROULEMENT 5 X 14 X 5 MM (2)	CUSCINETTO 5X14X5 MM (2)
AXI235099	M2,5 X 10MM BUTTON HEAD SCREW (10)	M2,5 X 10MM RUNDKOPFSCHRAUBEN (10)	VIS À TÊTE BOMBÉE M2,5 X 10 MM (10)	VITI TESTA TONDA M2.5X10 MM (10)
AXIC0013	CAP HEAD M2X6MM BLACK OXIDE (10)	INBUSSCHRAUBE, M2 X 6 MM, SCHWARZOXID (10)	VIS D'ASSEMBLAGE CREUSE M2 X 6 MM, BRUNIE (10)	VITI TESTA CILINDRICA M2X6 MM NERO QSS. (10)
AXIC1213	BEARING 5X8X2.5MM (2)	LAGER 5 X 8 X 2,5 MM (2)	ROULEMENT 5 X 8 X 2,5 MM (2)	CUSCINETTO 5X8X2,5MM (2)
AXIC1243	Bearing 15x21x4mm (2)	Lager 15 x 21 x 4 mm (2)	Roulement à billes 15 x 21 x 4 mm (2)	Cuscinetto 15x21x4 mm (2)
AXIC3066	CAP HEAD M2X8MM BLACK (10)	INBUSSCHRAUBE M2 X 8 MM SCHWARZ (10)	VIS D'ASSEMBLAGE CREUSE M2 X 8 MM, NOIRE (10)	VITI TESTA CILINDRICA M2X8 MM NERO (10)
AXI235098	M2,5 X 8MM BUTTON HEAD SCREW (10)	M2,5 X 8MM RUNDKOPFSCHRAUBEN (10)	VIS À TÊTE BOMBÉE M2,5 X 8 MM (10)	VITI TESTA TONDA M2.5X8 MM (10)
AXI235110	M3 X 16MM BUTTON HEAD SCREW (10)	M3 X 16 MM, RUNDKOPFSCHRAUBE (10)	VIS À TÊTE BOMBÉE M3 X 16 MM (10)	VITI TESTA TONDA M3X16 MM (10)
AXIC0012	HEX SOCKET BUTTON HEAD M3X25MM BLACK (10)	M3 X 25 MM SECHSKANT-RUNDKOPF, SCHWARZ (10)	DOUILLE À SIX PANS À TÊTE BOMBÉE M3 X 25 MM, NOIRE (10)	VITI TESTA PIATTA ES. INC. M3X25 MM NERO (10)
AXI231005	SKID PLATE: CAPRA 1.9 UTB	MOTORSCHUTZ: CAPRA 1,9 UTB	PLAQUE DE PROTECTION : CAPRA 1,9 UTB	PIASTRA DI PROTEZIONE: CAPRA 1.9 UTB
AXI232009	F9 UNIVERSAL AXLE SET (2): CAPRA 1.9 UTB	F9 UNIVERSALACHSENSATZ (2): CAPRA 1,9 UTB	ENSEMBLE ESSIEU UNIVERSEL F9 (2) : CAPRA 1,9 UTB	SET ASSALE UNIVERSALE F9 (2): CAPRA 1.9 UTB
AXI232014	DIG COMPONENTS, V2: CAPRA 1.9 UTB	„GRAB“-KOMponenten, V2: CAPRA 1,9 UTB	COMPOSANTS DIG, V2 : CAPRA 1,9 UTB	COMPONENTI DIG, V2: CAPRA 1.9 UTB
AXI237003	4MM X 8MM X 3MM BALL BEARING (2)	4 MM X 8 MM X 3 MM KUGELLAGER (2)	ROULEMENT À BILLES 4 X 8 X 3 MM (2)	CUSCINETTI SFERA 4X8X3 MM (2)
AXI235097	M2,5 X 6MM BUTTON HEAD SCREW (10)	M2,5 X 6 MM RUNDKOPFSCHRAUBEN (10)	VIS À TÊTE BOMBÉE M2,5 X 6 MM (10)	VITI TESTA TONDA M2.5X6 MM (10)
AXI234008	STAINLESS STEEL M6 X 111MM LINK (2): CAPRA 1.9 UTB	EDELSTAHLGLIED M6 X 111 MM (2): CAPRA 1,9 UTB	LIAISON EN ACIER INOXYDABLE M6 X 111 MM (2) : CAPRA 1,9 UTB	BRACCETTI ACCIAIO INOX M6X111 MM (2): CAPRA 1.9 UTB
AXIC0118	HEX FLAT HEAD M3X8MM BLACK (10)	SECHSKANT-FLACHKOPF M3 X 8 MM SCHWARZ (10)	DOUILLE À SIX PANS À TÊTE PLATE M3 X 8 MM, NOIRE (10)	VITI TESTA PIATTA ES. M3X8 MM NERO (10)
AXIC1180	HEX SOCKET BUTTON HEAD M3X18MM (10)	SECHSKANT-RUNDKOPFSCHRAUBE M3 X 18 MM (10)	DOUILLE À SIX PANS À TÊTE BOMBÉE M3 X 18 MM (10)V	VITI TESTA TONDA ES. INC. M3X18 MM (10)
AXI235230	M2,5 X 18MM CAP HEAD SCREWS (10)	M2,5 X 18 MM, INBUSSCHRAUBEN (10)	VIS D'ASSEMBLAGE CREUSE, M2,5 X 18 MM (10)	VITI TESTA CILINDRICA M2,5X18 MM (10)
AXIC0147	HEX SOCKET FLAT HEAD M3X16MM, BLACK (10)	M3 X 16 MM SECHSKANT-FLACHKOPF, SCHWARZ (10)	DOUILLE À SIX PANS À TÊTE PLATE M3 X 16 MM, NOIRE (10)	VITI TESTA PIATTA ES. INC. M3X16 MM NERO (10)
AXI235178	M3 X 14MM FLAT HEAD SCREW (10)	M3 X 14 MM, FLACHKOPFSCHRAUBE (10)	VIS À TÊTE PLATE M3 X 14 MM (10)	VITI TESTA PIATTA M3X14 MM (10)
AXIC0218	BEARING 5X10X4MM (2)	LAGER 5 X 10 X 4 MM (2)	ROULEMENT 5 X 10 X 4 MM (2)	CUSCINETTI 5X10X4 MM (2)
AXI235109	M3 X 14MM BUTTON HEAD SCREW (10)	M3 X 14 MM, RUNDKOPFSCHRAUBE (10)	VIS À TÊTE BOMBÉE M3 X 14 MM (10)	VITI TESTA TONDA M3X14 MM (10)
AXIC1181	HEX SOCKET BUTTON HEAD M3X20MM (10)	SECHSKANT-RUNDKOPFSCHRAUBE M3 X 20 MM (10)	DOUILLE À SIX PANS À TÊTE BOMBÉE M3 X 20 MM (10)	VITI TESTA TONDA ES. INC. M3X20 MM (10)
AXIC0115	HEX SOCKET BUTTON HEAD M3X10MM BLACK (10)	M3 X 10 MM SECHSKANT-RUNDKOPF SCHWARZ (10)	DOUILLE À SIX PANS À TÊTE BOMBÉE M3 X 10 MM, NOIRE (10)	VITI TESTA TONDA ES. INC. M3X10 MM NERO (10)
AXIC0225	BEARING 8X16X5MM	LAGER 8 X 16 X 5 MM	ROULEMENT 8 X 16 X 5 MM	CUSCINETTO 8X16X5 MM
AXIC0230	BEARING 10X15X4MM	LAGER 10 X 15 X 4 MM	ROULEMENT 10 X 15 X 4 MM	CUSCINETTO 10X15X4 MM
AXI235330	M3 X 30MM CUP POINT SET SCREW (10)	M3 X 30 MM, STELLSCHRAUBE MIT RINGSCHNEIDE (10)	VIS DE FIXATION À BOUT CUVETTE M3 X 30 MM (10)	VITI DI FERMO SENZA TESTA M3X30 MM (10)
AXI235014	M2,5 X 10MM CAP HEAD SCREW (10)	M2,5 X 10 MM, INBUSSCHRAUBE (10)	VIS D'ASSEMBLAGE CREUSE, M2,5 X 10 MM (10)	VITI TESTA CILINDRICA M2.5X10 MM (10)
AXI234005	STEERING LINKS, STAINLESS STEEL: CAPRA 1.9 UTB	SPURSTANGEN, EDELSTAHL: CAPRA 1,9 UTB	TRINGLERIES DE DIRECTION EN ACIER INOXYDABLE : CAPRA 1,9 UTB	BRACCETTI STERZO, ACCIAIO INOX: CAPRA 1.9 UTB
AXI234009	STAINLESS STEEL LINK, M6 X 89MM (2): CAPRA 1.9 UTB	EDELSTAHLGLIED, M6 X 89 MM (2): CAPRA 1,9 UTB	LIAISON EN ACIER INOXYDABLE, M6 X 89 MM (2) : CAPRA 1,9 UTB	BRACCETTI STERZO ACCIAIO INOX M6X89 MM (2): CAPRA 1.9 UTB
AXI235168	M2,5 X 10MM FLAT HEAD SCREWS (10)	M2,5 X 10 MM FLACHKOPFSCHRAUBEN (10)	VIS À TÊTE PLATE M2,5 X 10 MM (10)	VITI TESTA PIATTA M2.5X10 MM (10)

Part #	Description	Beschreibung	Description	Descrizione
AXIC0114	HEX SOCKET BUTTON HEAD 3X8MM (10)	SECHSKANT-RUNDKOPFSCHRAUBE M3 X 8 MM (10)	DOUILLE À SIX PANS À TÊTE BOMBÉE 3 X 8 MM (10)	VITI TESTA TONDA ES. INC. 3X8 MM (10)
AXIC1120	HEX SOCKET FLAT HEAD 3X10MM (10)	M3 X 10 MM SECHSKANT-FLACHKOPF (10)	DOUILLE À SIX PANS À TÊTE BOMBÉE 3 X 10 MM (10)	VITI TESTA PIATTA ES. INC. 3X10 MM (10)
AXIC0221	BEARING 5X11X4MM (2)	LAGER 5 X 11 X 4 MM (2)	ROULEMENT 5 X 11 X 4 MM (2)	CUSCINETTO 5X11X4 MM (2)
AXIC0116	HEX SOCKET BUTTON HEAD M3X12MM BLACK (10)	M3 X 12 MM SECHSKANT-RUNDKOPF, SCHWARZ (10)	DOUILLE À SIX PANS À TÊTE BOMBÉE M3 X 12 MM, NOIRE (10)	VITI TESTA TONDA ES. INC. M3X12MM NERO (10)
AXI230010	HEADLIGHT LENS: CAPRA 1.9 UTB	SCHEINWERFERLINSE: CAPRA 1,9 UTB	LENTILLES DE PHARES : CAPRA 1,9 UTB	LENTE FARO: CAPRA 1.9 UTB
AXI230011	INTERIOR SET: CAPRA 1.9 UTB	INTERIEURSET: CAPRA 1,9 UTB	ENSEMBLE D'INTÉRIEUR : CAPRA 1,9 UTB	SET INTERNI: CAPRA 1.9 UTB
AXI230012	BODY PANEL SET, CLEAR: CAPRA 1.9 UTB	KAROSSERIETEILESATZ, FARBLOS: CAPRA 1,9 UTB	ENSEMBLE DE PANNEAUX DE CARROSSERIE, TRANSPARENT : CAPRA 1,9 UTB	SET PANNELLI CARROZZERIA, TRASPARENTE: CAPRA 1.9 UTB
AXI231045	CAGE SET, COMPLETE, BLACK: CAPRA 4WS UTB	ÜBERROLLKÄFIGSET, KOMPLETT, SCHWARZ: CAPRA 4WS UTB	ENSEMBLE CAGE, COMPLET, NOIR : CAPRA UTB 4 ROUES DIRECTRICES	KIT SCOCCA COMPLETO, NERO: CAPRA 4WS UTB
AXI232004	CURRIE F9 PORTAL AXLE HOUSING, 3RD MEMBER, STEERING: CAPRA	CURRIE F9 PORTAL ACHSGEHÄUSE, 3. GLIED, LENKUNG: CAPRA	CARTER D'ESSIEU DU PORTIQUE CURRIE F9, 3ÈME MEMBRE, DIRECTION : CAPRA	ALLOGGIAMENTO ASSALE PORTAL CURRIE F9, 3° MEMBRO, STERZO: CAPRA
AXI232017	WB DRIVESHAFT SET: CAPRA 1.9 UTB	WB-ANTRIEBSWELLENSATZ: CAPRA 1,9 UTB	ENSEMBLE D'ARBRE DE TRANSMISSION WB : CAPRA 1,9 UTB	SET ALBERO TRASMISSIONE WB: CAPRA 1.9 UTB
AXIC4406	BEARING 7X14X3.5MM (2)	LAGER 7 X 14 X 3,5 MM (2)	ROULEMENT 7 X 14 X 3,5 MM (2)	CUSCINETTO 7X14X3,5 MM (2)
AXI-2325	25T SERVO HORN: CAPRA 1.9 UTB	25T SERVOHORN: CAPRA 1,9 UTB	RENOI DE COMMANDE DE SERVO 25T : CAPRA 1,9 UTB	SQUADRETTA SERVO 25T: CAPRA 1.9 UTB
AXI-2326	TRANSMISSION CASE SET V2: CAPRA 1.9 UTB	GETRIEBEABDECKUNGSSATZ V2: CAPRA 1,9 UTB	ENSEMBLE BOÎTIER DE TRANSMISSION, V2 : CAPRA 1,9 UTB	SET SCATOLA TRASMISSIONE, V2: CAPRA 1.9 UTB
AXI-2327	METAL GEAR SET, V2: CAPRA 1.9 UTB	METALLGETRIEBESATZ, V2: CAPRA 1,9 UTB	ENSEMBLE DE BOÎTE MÉTALLIQUE, V2 : CAPRA 1,9 UTB	SET INGRANAGGI METALLO, V2: CAPRA 1.9 UTB
AXI-2328	SPUR GEAR, 36T, 32P, V2: CAPRA 1.9 UTB	STIRNRAD, 36T, 32P, V2: CAPRA 1,9 UTB	ENGRENAGE CYLINDRIQUE, 36T, 32P, V2 : CAPRA 1,9 UTB	CORONA 36T, 32P, V2: CAPRA 1.9 UTB
AXI-2329	LED LIGHT SET: CAPRA 1.9 UTB	LED-LICHT-SATZ: CAPRA 1,9 UTB	ENSEMBLE D'ÉCLAIRAGE DEL : CAPRA 1,9 UTB	KIT LUCI LED: CAPRA 1.9 UTB
AXI-2330	TRANSMISSION, MOTOR PLATE, V2: CAPRA 1.9 UTB	GETRIEBEMOTORPLATTE, V2: CAPRA 1,9 UTB	TRANSMISSION, PLAQUE DE MOTEUR, V2 : CAPRA 1,9 UTB	TRASM., PIASTRA MOTORE, V2: CAPRA 1.9 UTB
AXI-2331	SHAFT SET, V2: CAPRA 1.9 UTB	WELLENSATZ, V2: CAPRA 1,9 UTB	ENSEMBLE ARBRE, V2 : CAPRA 1,9 UTB	SET ALBERI, V2: CAPRA 1.9 UTB
AXI-2332	DIG TRANSMISSION MOUNT, SERVO SAVER SET: CAPRA 1.9	GRABGETRIEBE-HALTERUNG, SERVO-SAVERSATZ: CAPRA 1.9	ENSEMBLE SUPPORT ET ÉCONOMISEUR DE SERVO DE TRANSMISSION DIG : CAPRA 1,9	SET SALVASERVO E SUPPORTI TRASMISSIONE DIG: CAPRA 1.9
AXI-2333	ALUMSHOCKBODY, 11X43MM(2):CAPRA 1.9UTB, SCX10IIIBC	ALUMSTOSSDÄMPFERKÖRPER, 11 X 43 MM(2): CAPRA 1.9UTB, SCX10IIIBC	CORPS D'AMORTISSEUR EN ALUMINIUM, 11 X 43 MM (2) : CAPRA 1,9 UTB, SCX10III BC	CORPO AMM. ALU, 11X43MM (2):CAPRA 1,9UTB, SCX10IIIBC
AXI-2334	SHOCKSHAFT, M3X51.5MM(2):CAPRA 1.9UTB, SCX10IIIBC	STOSSDÄMPFERWELLE, M3 X 51,5 MM(2): CAPRA 1.9UTB, SCX10IIIBC	CORPS D'AMORTISSEUR, M3 X 51,5 MM (2) : CAPRA 1,9 UTB, SCX10III BC	CORPO AMM., M3X51,5MM(2):CAPRA 1,9UTB, SCX10IIIBC
AXI234004	Susp Pvt Ball, Stainless 7.5mm	Kugelzapfen für Federung, Edelstahl 7,5 mm	Rotule de suspension, acier inoxydable 7,5mm	Pivot ball sospensioni, inossidabile, 7,5mm
AXI234003	Pvt Ball, Stainless 12.75mm(4):UTB	Kugelzapfen, Edelstahl 12,75 mm (4)	Rotule, acier inoxydable 12,75mm (4)	Pivot ball, inossidabile, 12,75mm (4)
AXI-2065	HD Rod Ends M4 20pcs: UTB	Schwerlast-Stangenköpfe M4 (20)	Embouts de bielle haute résistance M4 (20)	Teste a snodo per impiego gravoso M4 (20)
AXI232006	F9 Portal Str knucl & Cap: UTB	Currie F9 Portal-Achsschenkel und -abdeckung	Rotule de direction et coiffe du portique Currie F9, arrière	Currie F9 Portal, fuso a snodo e tappo
AXI232007	32P Portal Gr Set 23T/12T 2pc each	32P Portalachssatz 23T/12T (2)	Ensemble engrenage portique 32P 23T/12T (2)	Set ingranaggi 32P Portal 23T/12T (2)
AXI232008	Portal Stub Axle (2)	Portalachsschenkel (2)	Demi-essieu du portique (2)	Fusello Portal (2)
AXIC3165	Pin 2.5x12mm (6)	Stift 2,5x12mm (6)	Axe M2,5x12mm (6)	Perno 2,5x12mm (6)
AXIC4403	Bttn Hd Scrw M3x4x10mm (6)	Rundkopfschraube, M3x4x10mm (6)	Vis à tête bombée, M3x4x10mm (6)	Vite a testa tonda M3x4x10mm (6)
AXIC1009	AXA0109 Hex Skt Oversize M3x10mm	Sechskant-Übergröße M3x10mm	Douille à 6 pans surdimensionnée M3x10mm	Viti oversize con esagono incassato M3x10mm
AXIC0286	Screw Shaft M4x2.5x12	Schraubenschaft M4x2,5x12 mm	Tige de vis M4x2,5x12mm	Albero filettato M4x2.5x12mm
AXIC1028	Pin 2.0x11mm (6)	Stift 2,0x11mm (6)	Axe M2,0x11mm (6)	Perno 2,0x11mm (6)
AXIC1148	AX31148 Wb8-hd Drvshft Coupler	WB8-HD-Antriebswellenkupplung	Ensemble de couplage d'arbre de transmission WB8-HD	Accoppiamento albero trasmissione WB8-HD
AXI232003	6 Bolt Heavy Duty Gear Set	6-Schrauben-Schwerlast-Zahnradsatz	Ensemble d'engrenages haute résistance à 6 boulons	Set ingranaggio impieghi gravosi 6 bulloni
AXI232002	6-Bolt Differential Locker	6-Schrauben-Differenzial-Sicherung	Blocage différentiel à 6 boulons	Blocco differenziale 6 bulloni
AXI-1376	35-Turn 540 Brushed Motor	35T Elektromotor	Moteur électrique 35T	Motore elettrico 35T
AXIC0725	AX30725 Pinion Gear 32p 14t	AX30725 Zahnradgetriebe 32p 14t	AX30725 Engrenage à pignons 32p 14t	AX30725 Pignone 32p 14t

RECOMMENDED // EMPFOHLEN // RECOMMANDÉ // CONSIGLIATO

Part #	Description	Beschreibung	Description	Descrizione
SPMX-1047	SMART G2 TRAIL PRO 3400MAH 3S 11.1V 50C LIPO W/ IC3	SMART G2 TRAIL PRO 3400 MAH 3S 11,1 V 50C LIPO MIT IC3	BATTERIE LI-PO SMART G2 TRAIL PRO 3400 MAH 3S 11,1 V 50C AVEC IC3	SMART G2 TRAIL PRO 3400 MAH 3S 11,1 V 50C LIPO CON IC3

OPTIONAL PARTS / OPTIONALE TEILE / PIÈCES EN OPTION / PARTI OPZIONALI

Part #	Description	Beschreibung	Description	Descrizione
PRO1013603	BFG KRAWLER T/A KX 1.9 PREDATOR TIRES F/R	BFG KRAWLER T/A KX 1.9 PREDATOR-REIFEN VO/HI	PNEUS PREDATOR 1,9 BFG KRAWLER T/A KX AVANT/ARRIÈRE	RUOTE BFG KRAWLER T/A KX 1.9 PREDATOR ANT./POST.
PRO1015014	BFGOODRICH MUD-TERRAIN T/A KM3 1.9 CRAWLER TIRE	BFGOODRICH MUD-TERRAIN T/A KM3 1.9 CRAWLER-REIFEN	PNEUS CRAWLER 1,9 BFGOODRICH POUR TERRAIN BOUEUX T/A KM3	RUOTE BFGOODRICH MUD-TERRAIN T/A KM3 1.9 CRAWLER
PRO119703	INTERCO TSL SX SUPER SWAMPER XL 1.9 PREDATOR	INTERCO TSL SX SUPER SWAMPER XL 1.9 PREDATOR	PREDATOR 1,9 INTERCO TSL SX SUPER SWAMPER XL	INTERCO TSL SX SUPER SWAMPER XL 1.9 PREDATOR
PRO1013614	BFGOODRICH KRAWLER T/A KX 1.9 G8 ROCK TERRAIN (2)	BFGOODRICH KRAWLER T/A KX 1.9 G8 ROCK TERRAIN (2)	PNEUS G8 1,9 KX T/A BFGOODRICH KRAWLER POUR TERRAIN ROCAILLEUX (2)	BFGOODRICH KRAWLER T/A KX 1.9 G8 ROCK TERRAIN (2)
PRO119714	TSL SX SUPER SWAMPER XL 1.9 G8 ROCK TERRAIN TIRE(2)	TSL SX SUPER SWAMPER XL 1.9 G8 ROCK TERRAIN-REIFEN (2)	PNEUS POUR TERRAIN ROCAILLEUX G8 1,9 TSL SX SUPER SWAMPER XL (2)	RUOTE TSL SX SUPER SWAMPER XL 1.9 G8 ROCK TERRAIN (2)
PRO119713	INTERCO SWMPRLX 1.9 G8 MTD(2)IMPULSE BLK/SLVR F/R	INTERCO SWMPRLX 1.9 G8 MTD(2) IMPULSE SCHW/SLBR VO/HI	PNEUS IMPULSE G8 1,9 INTERCO SWAMPER MONTÉS AVANT/ARRIÈRE, NOIRS/ARGENT (2)	INTERCO SWAMPER XL 1.9 G8 MTD(2) IMPULSE NERO/ARG. ANT./POST.
PRO1018303	TRENCHER 1.9 PREDATOR ROCK TERRAIN TIRES F/R	TRENCHER 1.9 PREDATOR ROCK TERRAIN-REIFEN VO/HI	PNEUS POUR TERRAIN ROCAILLEUX 1,9 PREDATOR AVANT/ARRIÈRE	RUOTE TRENCHER 1.9 PREDATOR ROCK TERRAIN ANT./POST.
PRO1021310	1/10 BAJA PROX G8 F/R 1.9 MTD 12MM BLK HOLCOMB (2)	1/10 BAJA PROX G8 F/R 1.9 MTD 12 MM SCHW HOLCOMB (2)	PNEUS 12 MM MONTÉS 1,9 AVANT/ARRIÈRE G8 BAJA PROX 1/10, BLACK HOLCOMB (2)	1/10 BAJA PROX G8 ANT./POST. 1.9 MTD 12 MM NERO HOLCOMB (2)
PRO1021314	1/10 MT BAJA PRO X G8 F/R 1.9 CRAWLER TIRES (2)	1/10 MT BAJA PRO X G8 F/R 1.9 CRAWLER-REIFEN (2)	PNEUS CRAWLER 1,9 MONTÉS BAJA PRO X G8 AVANT/ARRIÈRE À L'ÉCHELLE 1/10 (2)	RUOTE 1/10 MT BAJA PRO X G8 F/R 1.9 CRAWLER (2)
PRO1015003	BFG T/A KM3 1.9 PREDATOR ROCK TIRES (2) F/R	BFG T/A KM3 1.9 PREDATOR ROCK-REIFEN (2) VO/HI	PNEUS POUR TERRAIN ROCAILLEUX PREDATOR 1,9 BFG T/A KM3 AVANT/ARRIÈRE (2)	RUOTE BFG T/A KM3 1.9 PREDATOR ROCK (2) ANT./POST.
PRO1012814	HYRAX 1.9 G8 ROCK TERRAIN TRUCK TIRES (2)	HYRAX 1.9 G8 ROCK TERRAIN TRUCK-REIFEN (2)	PNEUS CAMION POUR TERRAIN ROCAILLEUX G8 1,9 HYRAX (2)	RUOTE HYRAX 1.9 G8 ROCK TERRAIN TRUCK (2)
PRO1013314	INTERCO BOGGER 1.9 G8 ROCK TERRAIN TIRE (2)	INTERCO BOGGER 1.9 G8 ROCK TERRAIN-REIFEN (2)	PNEUS POUR TERRAIN ROCAILLEUX 1,9 G8 INTERCO BOGGER (2)	RUOTE INTERCO BOGGER 1.9 G8 ROCK TERRAIN (2)
PRO1012813	HYRAX 1.9 G8 MTD IMPULSE BLK/SLVR WHEELS F/R (2)	HYRAX 1.9 G8 MTD IMPULSE SCHW/SLBR RÄDER VO/HI (2)	ROUES IMPULSE MONTÉES G8 1,9 AVANT/ARRIÈRE, NOIRES/ARGENT (2)	CERCHI HYRAX 1.9 G8 MTD IMPULSE NERO/ARG. ANT./POST. (2)
PRO1018314	TRENCHER 1.9 G8 ROCK TERRAIN TIRES F/R	TRENCHER 1.9 G8 ROCK TERRAIN-REIFEN VO/HI	PNEUS POUR TERRAIN ROCAILLEUX 1,9 G8 AVANT/ARRIÈRE	RUOTE TRENCHER 1.9 G8 ROCK TERRAIN ANT./POST.
PRO1013310	INTERCO BOGGER 1.9 MTD IMPULSE BLACK WHLS (2)	INTERCO BOGGER 1.9 MTD IMPULSE SCHWARZ RÄDER (2)	ROUES IMPULSE MONTÉES 1,9 INTERCO BOGGER, NOIRES (2)	CERCHI INTERCO BOGGER 1.9 MONTATI IMPULSE NERO (2)
PRO1021303	1/10 MT BAJA PRO X PRED F/R 1.9 CRAWLER TIRES (2)	1/10 MT BAJA PRO X PRED F/R 1.9 CRAWLER-REIFEN (2)	PNEUS CRAWLER 1,9 MONTÉS BAJA PRO X PREDATOR AVANT/ARRIÈRE À L'ÉCHELLE 1/10 (2)	RUOTE 1/10 MT BAJA PRO X PREDATOR 1.9 CRAWLER ANT./POST. (2)
HHDRPRO617400	1.9 XL DUAL STAGE CLOSED CELL CRAWL FOAM INSERT(2)	1.9 XL DUAL STAGE CLOSED CELL CRAWL-SCHAUMSTOFFEINSATZ (2)	FOND EN MOUSSE CRAWLER À CELLULES FERMÉES DUAL STAGE XL 1,9 (2)	INSERTO SCHIUMA CELLA CHIUSA DOPPIO STADIO 1.9 XL CRAWLER (2)
PRO631601	PRO-SPEC SCALER SHOCKS, 90MM-95MM :ROCK CRAWLER	PRO-SPEC SCALER STOSSDÄMPFER, 90 MM-95 MM: ROCK CRAWLER	AMORTISSEURS PRO-SPEC SCALER, 90-95 MM : ROCK CRAWLER	AMM. PRO-SPEC SCALER, 90-95 MM:ROCK CRAWLER
PRO617400	1.9 XL DUAL STAGE CLOSED CELL CRAWL FOAM INSERT(2)	1.9 XL DUAL STAGE CLOSED CELL CRAWL-SCHAUMSTOFFEINSATZ (2)	FOND EN MOUSSE CRAWLER À CELLULES FERMÉES DUAL STAGE XL 1,9 (2)	INSERTO SCHIUMA CELLA CHIUSA DOPPIO STADIO 1.9 XL CRAWLER (2)
PRO634300	BIG BORE SCALER SHOCKS (90MM-95MM) F/R	BIG BORE SCALER STOSSDÄMPFER (90 MM-95 MM) VO/HI	AMORTISSEURS BIG BORE SCALER (90-95 MM) AVANT-ARRIÈRE	AMM. BIG BORE SCALER (90-95MM) ANT./POST.
PRO1011200	FLAT IRON 1.9XL G8 ROCK TERRAIN TRUCK TIRE W/ FOAM	FLAT IRON 1.9XL G8 ROCK TERRAIN TRUCK-REIFEN MIT SCHAUMSTOFF	PNEUS CAMION POUR TERRAIN ROCAILLEUX G8 1,9XL FLAT IRON AVEC MOUSSE	RUOTE FLAT IRON 1.9XL G8 ROCK TERRAIN TRUCK CON SCHIUMA
PRO617300	1.9 SINGLE STAGE CLOSED CELL CRAWL FOAM INSERT(2)	1.9 SINGLE STAGE CLOSED CELL CRAWL-SCHAUMSTOFFEINSATZ (2)	FOND EN MOUSSE CRAWLER À CELLULES FERMÉES SINGLE STAGE 1,9 (2)	INSERTO SCHIUMA CELLA CHIUSA SINGOLO STADIO 1.9 (2)
PRO631700	UNIVERSAL LED HEADLIGHT & TAIL LIGHT KIT -CRAWLERS	UNIVERSAL-LED-SCHLEUCHER- UND RÜCKLEUCHTEN-SATZ -CRAWLERS	ENSEMBLE UNIVERSEL DE PHARES ET FEUX ARRIÈRE DEL - CRAWLERS	KIT FARLI ANT. E POST. LED UNIVERSALI - CRAWLER
PRO631602	PRO-SPEC SCALER SHOCKS, 105MM-110MM :ROCK CRAWLER	PRO-SPEC SCALER STOSSDÄMPFER, 105 MM-110 MM: ROCK CRAWLER	AMORTISSEURS PRO-SPEC SCALER, 105MM-110MM : ROCK CRAWLER	AMM. PRO-SPEC SCALER, 105-110 MM:ROCK CRAWLER
PRO1022014	1/10 HYRAX LP G8 FRONT/REAR 2.2 CRAWLER TIRES (2)	1/10 HYRAX LP G8 VORNE/HINTEN 2.2 CRAWLER-REIFEN (2)	PNEUS CRAWLER 2.2 HYRAX LP G8 1/10 AVANT/ARRIÈRE (2)	RUOTE 1/10 HYRAX LP G8 ANT./POST. 2.2 CRAWLER (2)
PRO1022714	MAXXIS TREPADOR 1.9" G8 ROCK TERRAIN TRUCK TIRES (2) FOR FRONT OR REAR	MAXXIS TREPADOR 1.9" G8 ROCK TERRAIN TRUCK-REIFEN (2) FÜR VORNE ODER HINTEN	PNEUS CAMION POUR TERRAIN ROCAILLEUX G8 1,9 MAXXIS TREPADOR AVANT/ARRIÈRE (2)	RUOTE MAXXIS TREPADOR 1.9" G8 ROCK TERRAIN TRUCK (2) PER ANT. O POST.
PRO1022614	TOYO OPEN COUNTRY R/T TRAIL 1.9" G8 ROCK TERRAIN TRUCK TIRES (2) FOR FRONT OR REAR	TOYO OPEN COUNTRY R/T TRAIL 1.9" G8 ROCK TERRAIN TRUCK-REIFEN (2) FÜR VORNE ODER HINTEN	PNEUS POUR TERRAIN ROCAILLEUX G8 1,9 TOYO OPEN COUNTRY R/T TRAIL AVANT/ARRIÈRE (2)	RUOTE TOYO OPEN COUNTRY R/T TRAIL 1.9" G8 ROCK TERRAIN TRUCK (2) PER ANT. O POST.
PRO1025403	AZTEK 1.9" PREDATOR (SUPER SOFT) ROCK CRAWLING TRUCK TIRES (2) FOR FRONT OR REAR	AZTEK 1.9" PREDATOR (SUPER SOFT) ROCK CRAWLING TRUCK-REIFEN (2) FÜR VORNE ODER HINTEN	PNEUS CAMION D'AVANCÉE SUR LES ROCHES AZTEK 1,9 PREDATOR (SUPER SOFT) AVANT/ARRIÈRE (2)	RUOTE AZTEK 1.9" PREDATOR (SUPER SOFT) ROCK CRAWLING TRUCK (2) PER ANT. O POST.
PRO1025414	AZTEK 1.9" G8 ROCK CRAWLING TRUCK TIRES (2) FOR FRONT OR REAR	AZTEK 1.9" G8 ROCK CRAWLING TRUCK-REIFEN (2) FÜR VORNE ODER HINTEN	PNEUS CAMION D'AVANCÉE SUR LES ROCHES AZTEK 1,9 G8 AVANT/ARRIÈRE (2)	RUOTE AZTEK 1.9" G8 ROCK CRAWLING TRUCK (2) PER ANT. O POST.



EXPLORE

facebook.com/axialinc
instagram.com/axialadventure
twitter.com/axialrc
youtube.com/axialvideos

