



# PROMOTOS

## Instruction Manual Bedienungsanleitung Manuel d'utilisation Manuale di Istruzioni



Scan the QR code and select the Manuals and Support quick links from the product page for the most up-to-date manual information.

Scannen Sie den QR-Code und wählen Sie auf der Produktseite die Quicklinks Handbücher und Unterstützung, um die aktuellsten Informationen zu Handbücher.

Scannez le code QR et sélectionnez les liens rapides Manuals and Support sur la page du produit pour obtenir les informations les plus récentes sur le manuel.

Scannerizzare il codice QR e selezionare i Link veloci Manuali e Supporto dalla pagina del prodotto per le informazioni manuali più aggiornate.

LOS-2272 / LOS-2310

Modified 1/25 763963.1



**NOTICE**

All instructions, warranties and other collateral documents are subject to change at the sole discretion of Horizon Hobby, LLC. For up-to-date product literature, visit horizonhobby.com or towerhobbies.com and click on the support or resources tab for this product.


**MEANING OF SPECIAL LANGUAGE**

The following terms are used throughout the product literature to indicate various levels of potential harm when operating this product:

**WARNING:** Procedures, which if not properly followed, create the probability of property damage, collateral damage, and serious injury OR create a high probability of superficial injury.

**CAUTION:** Procedures, which if not properly followed, create the probability of physical property damage AND a possibility of serious injury.

**NOTICE:** Procedures, which if not properly followed, create a possibility of physical property damage AND a little or no possibility of injury.

 **WARNING:** Read the ENTIRE instruction manual to become familiar with the features of the product before operating. Failure to operate the product correctly can result in damage to the product, personal property and cause serious injury. This is a sophisticated hobby product. It must be operated with caution and common sense and requires some basic mechanical ability. Failure to operate this Product in a safe and responsible manner could result in injury or damage to the product or other property. This product is not intended for use by children without direct adult supervision. Do not use with incompatible components or alter this product in any way outside of the instructions provided by Horizon Hobby, LLC. This manual contains instructions for safety, operation and maintenance. It is essential to read and follow all the instructions and warnings in the manual, prior to assembly, setup or use, in order to operate correctly and avoid damage or serious injury.


**Age Recommendation: Not for children under 14 years. This is not a toy.**

**SAFETY PRECAUTIONS AND WARNINGS**

As the user of this product, you are solely responsible for operating in a manner that does not endanger yourself and others or result in damage to the product or property of others.

This model is controlled by a radio signal subject to interference from many sources outside your control. This interference can cause momentary loss of control, so it is advisable to always keep a safe distance in all directions around your model as this margin will help avoid collisions or injury.

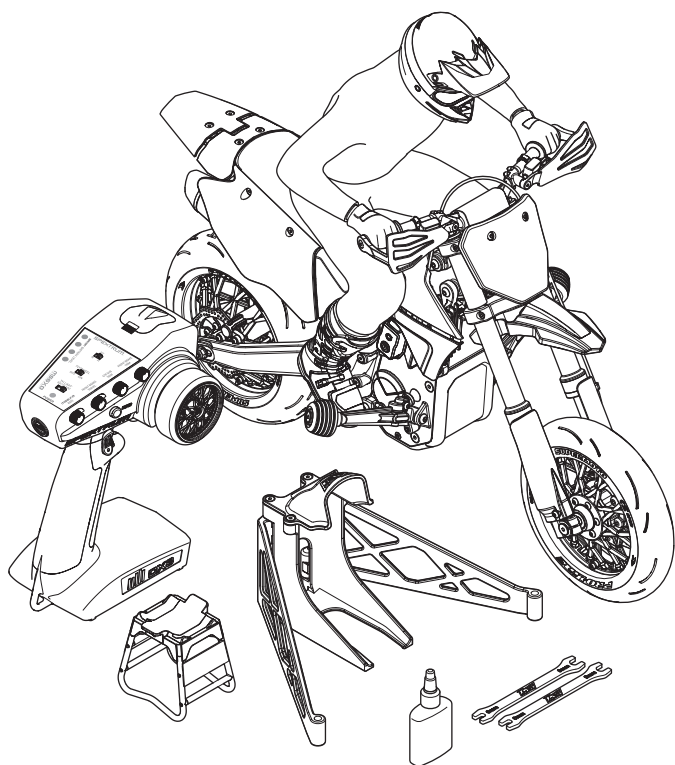
- Never operate your model with low transmitter batteries.
- Always operate your model in open spaces away from full-size vehicles, traffic and people.
- Never operate the model in the street or in populated areas for any reason.
- Carefully follow the directions and warnings for this and any optional support equipment (chargers, rechargeable battery packs, etc.) you use.
- Keep all chemicals, small parts and anything electrical out of the reach of children.
- Never lick or place any portion of the model in your mouth as it could cause serious injury or even death.
- Exercise caution when using tools and sharp instruments.
- Take care during maintenance as some parts may have sharp edges.
- Immediately after using your model, do NOT touch equipment such as the motor, electronic speed control and battery, because they generate high temperatures. You may burn yourself seriously touching them.
- Do not put fingers or any objects inside rotating and moving parts, as this may cause damage or serious injury.
- Always turn on your transmitter before you turn on the receiver in the car. Always turn off the receiver before turning your transmitter off.
- Keep the wheels of the model off the ground when checking the operation of the radio equipment.

 **WARNING AGAINST COUNTERFEIT PRODUCTS:** Always purchase from a Horizon Hobby, LLC authorized dealer to ensure authentic high-quality Spektrum product. Horizon Hobby, LLC disclaims all support and warranty with regards, but not limited to, compatibility and performance of counterfeit products or products claiming compatibility with DSM® or Spektrum technology.

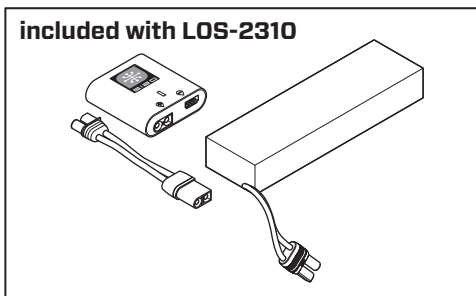
## TABLE OF CONTENTS

Box Contents .....	3	Driving Modes .....	10
Specifications .....	3	Jumping .....	10
Required Equipment .....	3	Run Time .....	11
Vehicle parts .....	4	MX Start Stand .....	11
Transmitter Functions .....	4	After Your Run .....	12
Charging Warnings .....	5	Maintenance .....	12
Charge the vehicle battery .....	5	Limited Warranty .....	14
Install the Transmitter Batteries .....	6	Warranty and Service Contact Information .....	15
Install the vehicle battery .....	6	FCC Information .....	16
Power On the Transmitter .....	7	IC Information .....	16
Power On the Vehicle .....	7	Compliance Information for the European Union .....	16
Steering Test .....	7	Exploded Views .....	59
Flywheel Startup .....	8	Replacement Parts .....	64
Transmitter Controls .....	8	Recommended Parts .....	68
Driving .....	9	Optional Parts .....	68

## BOX CONTENTS



included with LOS-2310



## SPECIFICATIONS

<b>Scale</b>	1/4
<b>Length</b>	19.8 in (504mm)
<b>Width</b>	10.2 in (259mm)
<b>Height</b>	16.7 in (424mm)
<b>Weight</b>	129.4 oz (3540g)
<b>Motor</b>	3800Kv, 4 pole, Sensorless Brushless
<b>ESC</b>	Firma® 85A Brushless Smart Motorcycle ESC
<b>Receiver</b>	Spektrum™ DSMR 6CH Receiver
<b>Servos</b>	<b>Steering:</b> S620PM Metal Gear Servo <b>Brake:</b> SX108PM Micro Gear Servo
<b>Transmitter</b>	Spektrum™ DX3PM, 3 Channel
<b>Battery</b>	7.4V 5000mAh 2S 50C LiPo, IC5, G2 Smart Battery (included with LOS-2310)
<b>Charger</b>	S120 USB-C Smart Charger 1x20W (included with LOS-2310) or equivalent

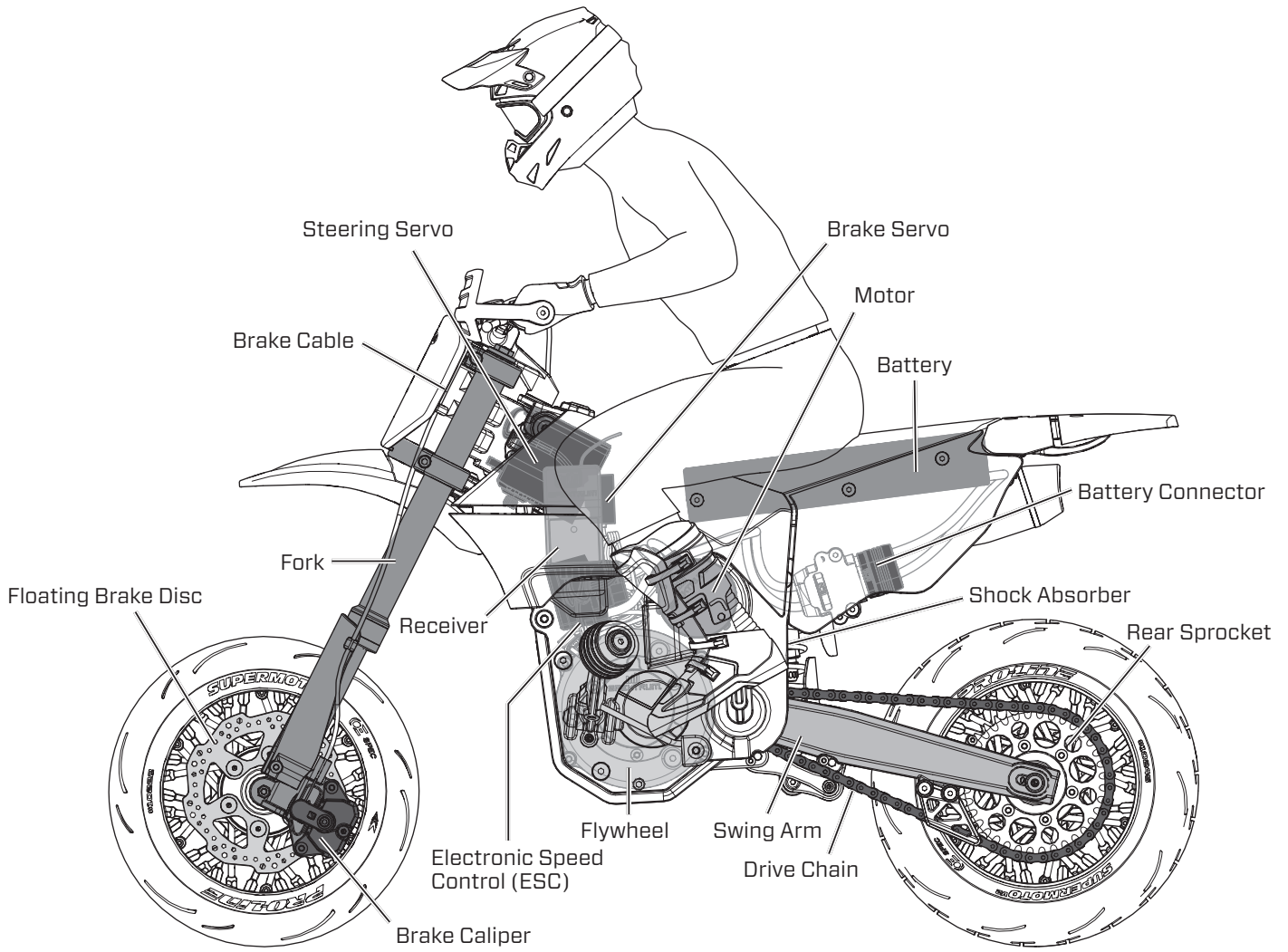
## REQUIRED EQUIPMENT

**Battery:** 7.4V 5000mAh 2S 50C LiPo, IC5, G2 Smart Battery (included with LOS-2310)

**Charger:** S120 USB-C Smart Charger 1x20W (included with LOS-2310) or equivalent

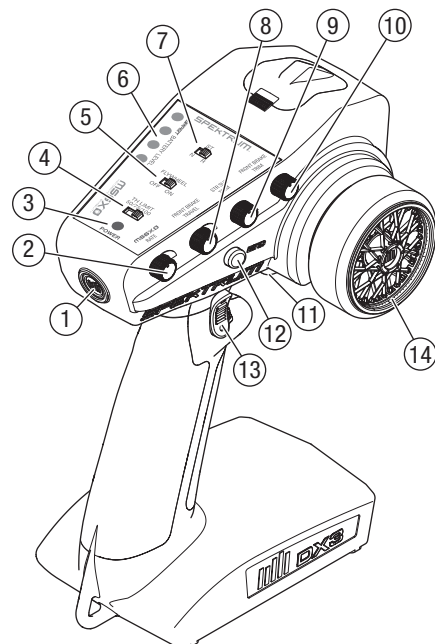
### Tools:

- Shock Tools (included)
- Fork Tools (x2) (included)
- Chain Lube (included)
- Hex Drivers
  - .050in
  - 1.5mm
  - 2.0mm
  - 2.5mm
- Nut Drivers
  - 5.0mm
  - 5.5mm
  - 7.0mm



TRANSMITTER FUNCTIONS

FUNCTION	
1	Power Button
2	MS6X Gain Knob
3	LED Indicator
4	Throttle Limit Switch
5	Flywheel Switch
6	Smart Battery Level
7	Steering Reverse Switch
8	Front Brake Travel
9	Steering Sub Trim
10	Front Brake Trim
11	Throttle/Brake Trigger
12	Bind Button
13	Drive Mode Button
14	Steering Wheel



## CHARGING WARNINGS

**⚠ WARNING:** Failure to exercise caution while using this product and comply with the following warnings could result in product malfunction, electrical issues, excessive heat, FIRE, and ultimately injury and property damage.

- **NEVER LEAVE CHARGING BATTERIES UNATTENDED DURING USE.**
- **NEVER CHARGE BATTERIES OVERNIGHT.**
- The power supply must deliver power at Safety Extra Low Voltage (SELV).
- Never attempt to charge dead, damaged or wet battery packs.
- Never attempt to charge a battery pack containing different types of batteries.
- Never allow children under 14 years of age to charge battery packs.
- Never charge batteries in extremely hot or cold places or place in direct sunlight.
- Never charge a battery if the cable has been pinched or shorted.
- Never connect the charger if the power cable has been pinched or shorted.
- Never connect the charger to an automobile 12V battery while the vehicle is running.
- Never attempt to dismantle the charger or use a damaged charger.
- Never attach your charger to both an AC and a DC power source at the same time.
- Never connect the input jack (DC input) to AC power.
- Always use only rechargeable batteries designed for use with this type of charger in the correct programming mode.
- Always inspect the battery before charging.
- Always keep the battery away from any material that could be affected by heat.

- Always monitor the charging area and have a fire extinguisher available at all times. Always end the charging process if the battery becomes hot to the touch or starts to change form (swell) during the charge process.
- Always connect the charge cable to the charger first, then connect the battery to avoid short circuit between the charge leads. Reverse the sequence when disconnecting.
- Always connect the positive red leads (+) and negative black leads (-) correctly.
- Always disconnect the battery after charging, and let the charger cool between charges.
- Always charge in a well-ventilated area.
- Always terminate all processes and contact Horizon Hobby if the product malfunctions.
- Charge only rechargeable batteries. Charging non-rechargeable batteries may cause the batteries to burst, resulting in injury to persons and/or damage to property.
- The socket-outlet shall be installed near the equipment and shall be easily accessible.

**⚠ WARNING:** Never leave charger unattended, exceed maximum charge rate, charge with non-approved batteries or charge batteries in the wrong mode. Failure to comply may result in excessive heat, fire and serious injury.

**⚠ CAUTION:** Always ensure the battery you are charging meets the specifications of this charger and that the charger settings are correct. Not doing so can result in excessive heat and other related product malfunctions, which can lead to user injury or property damage. Please contact Horizon Hobby or an authorized retailer with compatibility questions.

## CHARGE THE VEHICLE BATTERY

Follow the manufacturer's directions for your charger to properly charge the vehicle battery.

**⚠ CAUTION:** Only use chargers designed to charge the chosen battery type. Using an incorrect charger or incorrect charger settings could cause the battery to catch fire or explode.

### OPERATING THE INCLUDED S120 SMART CHARGER (LOS-2310 ONLY)

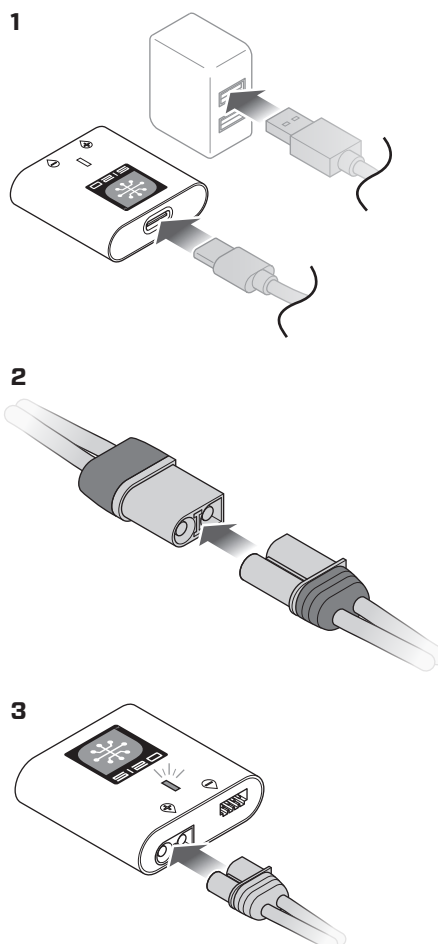
1. Connect the S120 charger to a USB power supply adapter.
2. Connect the Smart battery lead to the IC5 to IC3 adapter.
3. Connect the IC3 adapter to the charge port on the S120 charger.

**TIP:** The battery can be disconnected from the charger at any time to stop the charging process.

4. Refer to the LED Indicator table for charger status.
5. A red LED will illuminate to indicate abnormal charging. Follow the operation steps to ensure proper connection is used to charge the battery.

**IMPORTANT:** Non-Smart batteries will cause the LED to illuminate red and the S120 will not recognize or charge the battery.

LED Indicator		
Power On - No Battery Connected	USB 5V/1A, 5V/2A: White LED USB Quick Charge 2.0/3.0: Blue LED	
LiPo 2S and 3S Spektrum Smart Battery	<b>Battery Capacity</b> <b>Purple LED</b>	
	Less Than 25%	Single Flash
	25% - 75%	Double Flash
	76% - 99%	Triple Flash
Charge Complete	Green LED (Solid)	
Firmware Update	Red-Green-Blue Flashing LED	
Error	Red LED (Solid)	



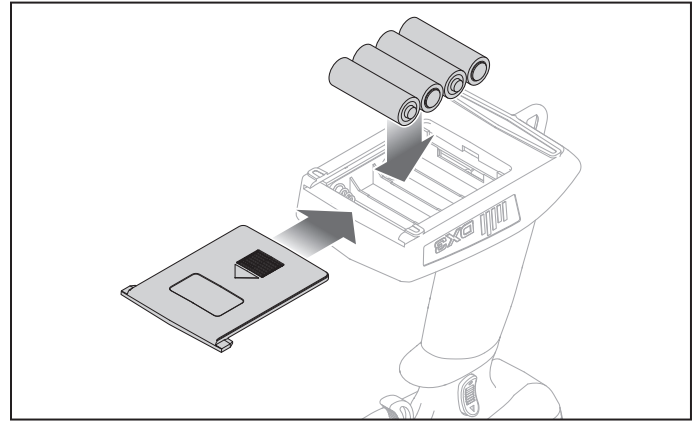
## INSTALL THE TRANSMITTER BATTERIES

This transmitter requires 4 AA batteries (included).

1. Remove the battery cover from the transmitter.
2. Install the batteries as shown.
3. Install the battery cover.

**CAUTION:** If using rechargeable batteries, charge only rechargeable batteries. Charging non-rechargeable batteries may cause the batteries to burst, resulting in injury to persons and/or damage to property.

**CAUTION:** Risk of explosion if battery is replaced by an incorrect type. Dispose of used batteries according to national regulations.



## INSTALL THE VEHICLE BATTERY

The battery compartment is designed to fit the 5000mAh, 7.4V 2S 50C G2 series LiPo Smart battery with IC5 connector (SPMX52S50H5).

To install the recommended battery:

1. Remove the pin from the battery compartment.
2. Rotate the battery hatch down.
3. Fully insert the battery, label side down, into the battery compartment.
4. Route the battery lead wires forward through the top of the muffler as you rotate the battery hatch closed.

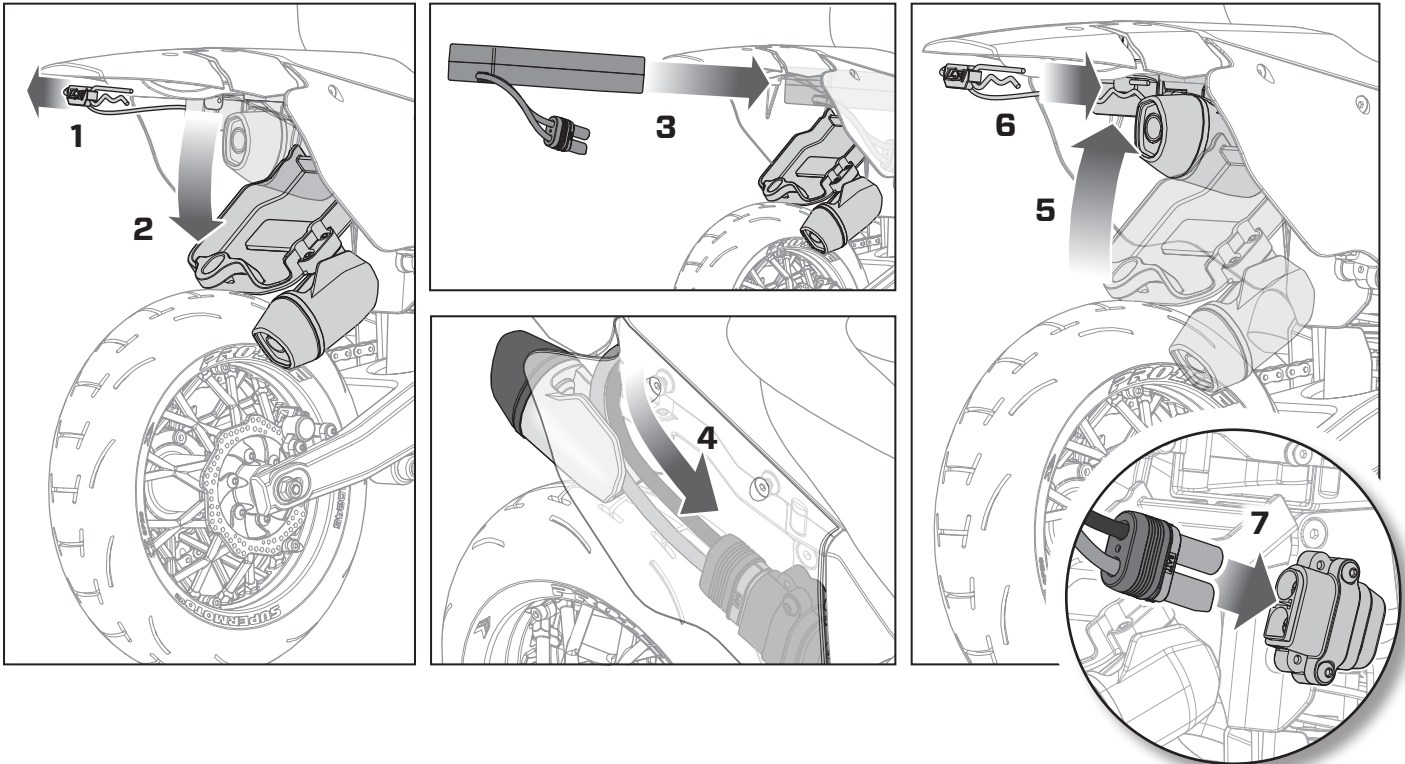
**NOTICE:** The battery lead wires must be routed over the muffler to ensure they don't contact the rear tire during operation. Failure to do so may cause damage to the wires and electronic components.

5. Press up on the battery hatch.

6. Insert the pin through the hole in the battery compartment post.

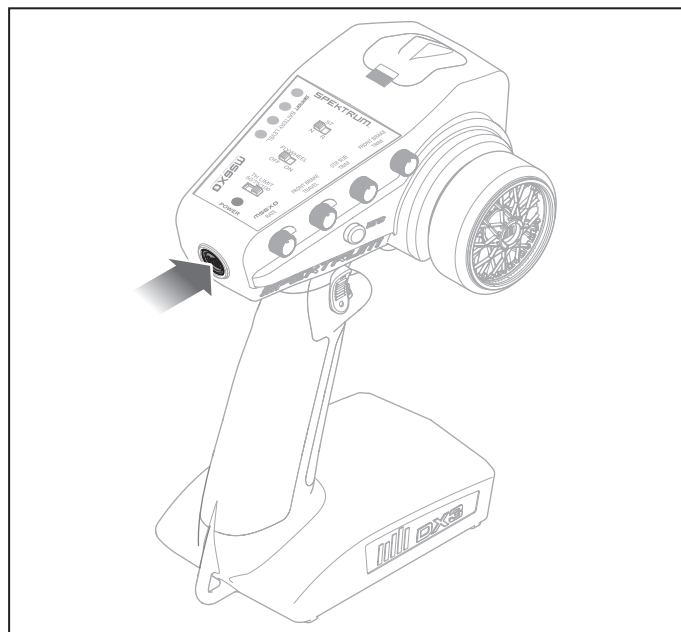
**TIP:** It may require considerable force the first few times to close the battery hatch tight enough to insert the pin.

7. Insert the IC5 battery connector into the vehicle battery port.



## POWER ON THE TRANSMITTER

To power on the transmitter press the power button located on the back of the transmitter, as shown. The transmitter will emit a tone and the battery level indicator will briefly flash the transmitter battery level. The LED indicator will then flash yellow.

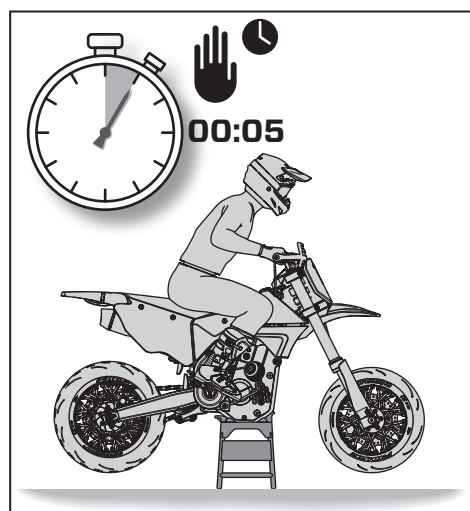
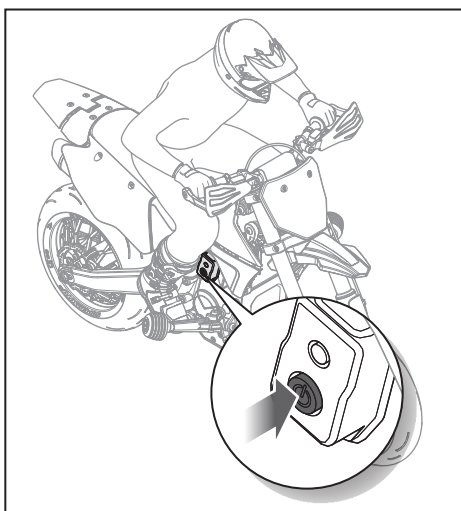


## POWER ON THE VEHICLE

1. Press the power button located on the right side of the vehicle, next to the rider's leg, as shown in the illustration.
2. Place the vehicle on the included stand and leave motionless for at least five seconds, allowing the vehicle to initialize.

The transmitter will emit a pair of descending tones, and the vehicle will emit a series of tones. When the vehicle has initialized, the transmitter will emit a series of tones and the battery level indicator will display the vehicle battery level.

When the vehicle and transmitter are powered on, but the flywheel is off, the transmitter emits a warning tone and flashes the LED indicator yellow. This is to remind you the flywheel is off.

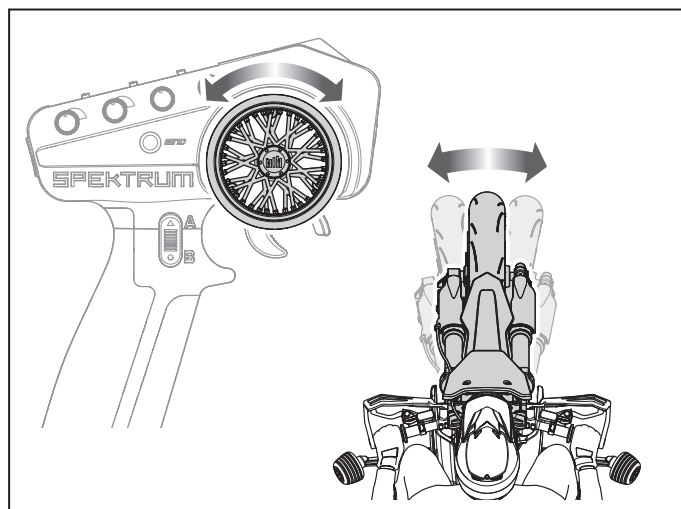


## STEERING TEST

Rotate the transmitter steering wheel left and right to test the steering.

**IMPORTANT:** The front wheel of the vehicle turns the opposite direction from the direction the transmitter steering wheel is rotated.

If the vehicle steering operates with transmitter input, the MS6X and ESC are both armed.



## FLYWHEEL STARTUP

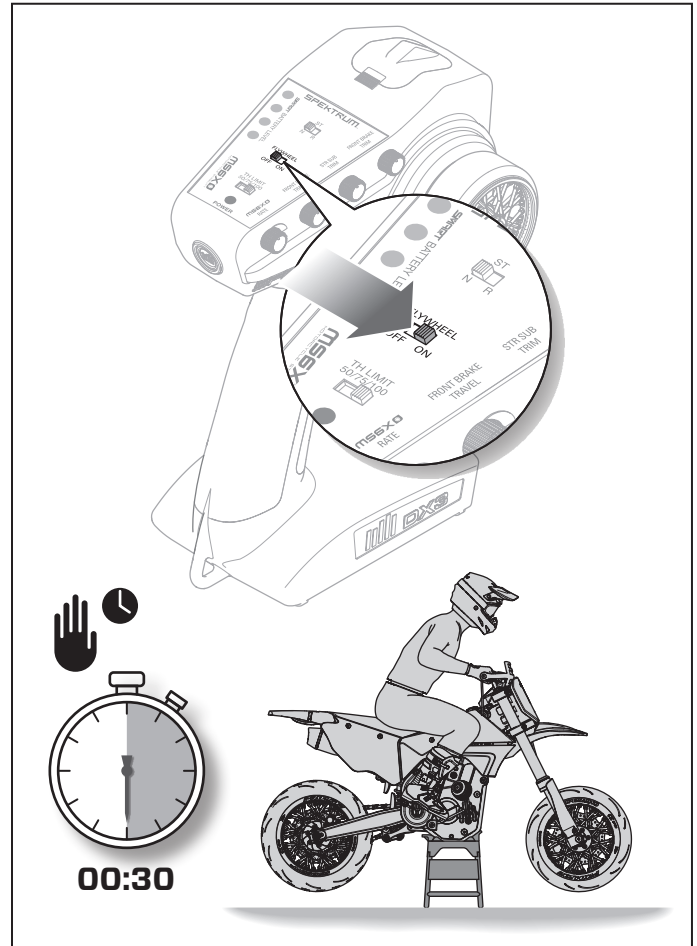
The vehicle features a high-speed, motorized flywheel to assist with stability.

To power on the flywheel:

1. Place the vehicle on the included stand.
2. Slide the transmitter flywheel switch to ON. The LED indicator on the transmitter will glow solid green, and the flywheel on the vehicle will start, gradually increasing in speed.
3. Wait for the flywheel to reach maximum speed, approximately 30 seconds, before attempting to drive the vehicle.

**TIP:** When the flywheel has reached maximum speed, the audible pitch of the spinning flywheel will be constant.

**IMPORTANT:** Attempting to drive the vehicle without running the flywheel or without waiting for the flywheel to reach maximum speed is not recommended.



## TRANSMITTER CONTROLS

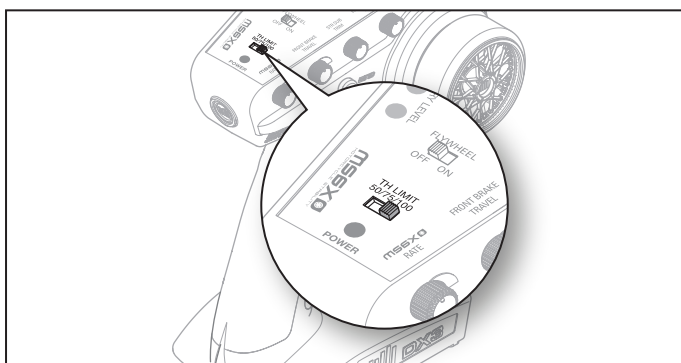
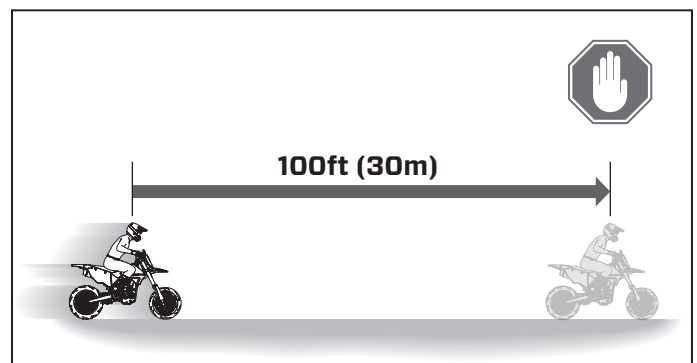
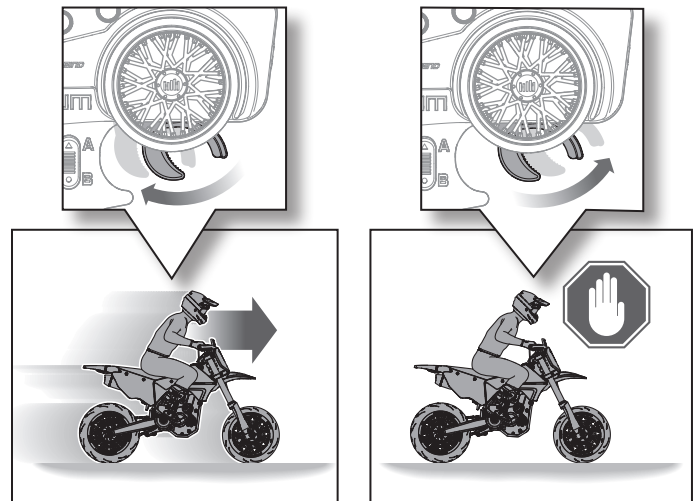
### THROTTLE AND BRAKE

Pull the transmitter trigger to make the vehicle move forward. The farther you pull the trigger, the faster the vehicle will accelerate.

Push the transmitter trigger forward to apply the brake. The vehicle is equipped with a floating disk front wheel brake and an electronic rear wheel motor brake.

**CAUTION:** This vehicle is capable of very high speed. Slowing and stopping the vehicle from full speed requires as much as 100ft (30m). Never operate this vehicle around people, animals or property until you are familiar with the space requirements for safe operation. Serious injury or property damage may result.

For the initial runs, we recommend using the transmitter throttle limit switch to reduce the available throttle to 50 or 75 percent power. When you are comfortable with the handling characteristics you may increase the throttle limit to 100 percent to experience the full capabilities of the vehicle.





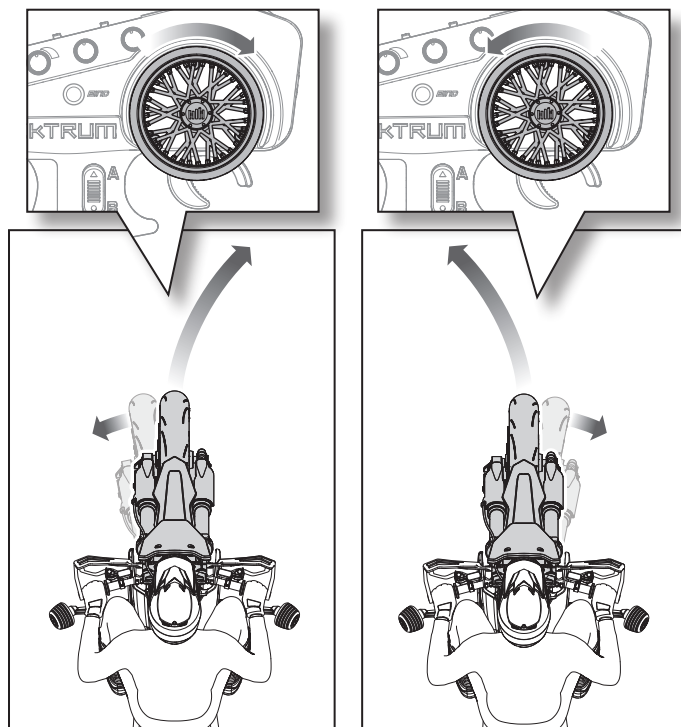
## TURNING

The Promoto-SM uses MS6X technology to translate the transmitter input to a desired lean angle, using the weight of the motorcycle to produce the correct response.

Rotate the transmitter steering wheel left and right to turn the desired direction.

- When the steering wheel is rotated right, the front wheel turns left, shifting the weight to the right and the vehicle leans right, then turns right.
- When the steering wheel is rotated left, the front wheel turns right, shifting the weight to the left and the vehicle leans left, then turns left.

**IMPORTANT:** The faster the vehicle moves, the more stable it becomes, and the less responsive to steering inputs.



## DRIVING

### STARTING

1. While holding the transmitter in your left hand, place the vehicle on the ground and hold upright.
2. Pull the throttle trigger slightly to start the vehicle moving forward. Once rolling, the vehicle will remain upright, as long as you maintain a minimum speed.

**IMPORTANT:** The faster the vehicle moves, the more stable it becomes, and the less responsive to steering inputs.

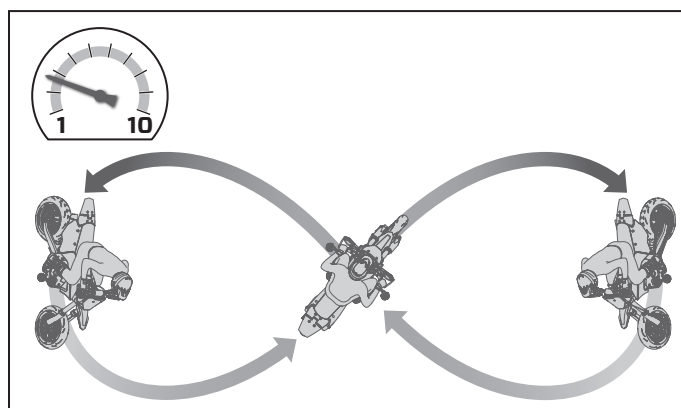
3. Steer using the transmitter steering wheel.

### DRIVING PRACTICE

To help familiarize yourself with the handling of the vehicle, practice turning left and right by driving in a figure-8 pattern. Start by driving at low speed, gradually increasing your speed as you get more comfortable.

Other maneuvers to practice:

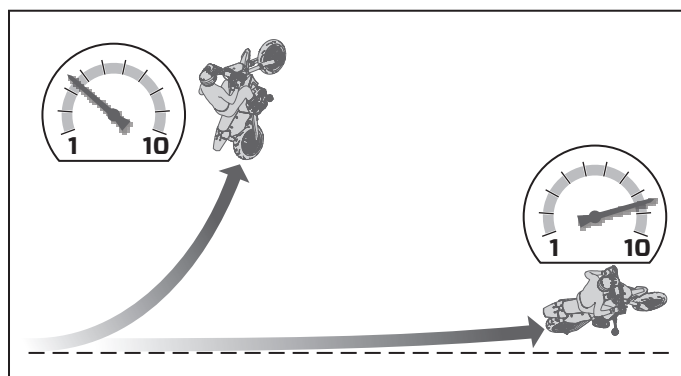
- Making turns without allowing the lean bar wheels to contact the ground.
- Low-speed maneuvering to become familiar with the minimum speed at which the vehicle will remain upright.
- High-speed maneuvering
- Full speed to full-stop braking
- Turning under braking



### TURNING RADIUS

Similar to a full size motorcycle, the turning radius is dependent on the speed of the vehicle. The faster the vehicle is moving, the less responsive it is to steering input.

**TIP:** To make tighter turns while at speed, apply the brake to slow down and shift weight to the front wheel, complete your turn, and accelerate away.



## DRIVING MODES

The Promoto-SM has three drive modes available:

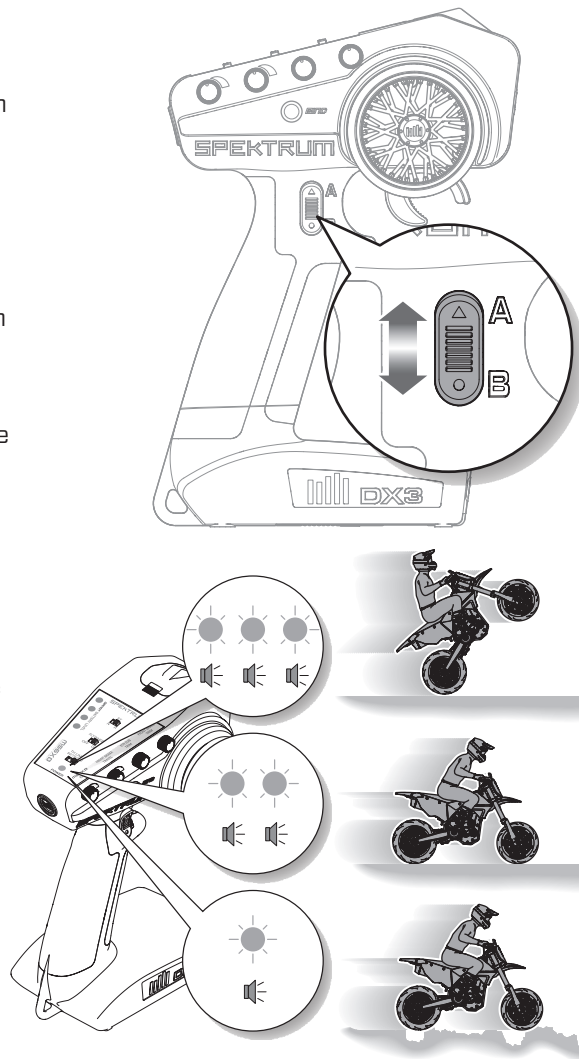
- **Wheelie mode (three green LED flashes):** Meant for driving on smooth, hard pavement, this mode allows the vehicle to pop high wheelies and balance to maintain them while holding full throttle.
- **On-road mode (two green LED flashes):** Meant for driving on smooth, hard pavement, this mode employs wheelie suppression, which will catch wheelies early, setting the front wheel down and allowing for maximum acceleration.
- **Off-road mode (one green LED flash):** Meant for driving on dirt and grass, this mode has wheelie prevention, which will catch most wheelies and keep the motorcycle from flipping over under acceleration.

To change driving modes:

- Press the top of the drive mode button once to go “up” one mode.
- Press the bottom of the drive mode button once to go “down” one mode.

The transmitter will emit a series of tones and flash the LED indicator a number of times corresponding to the selected drive mode, as shown in the illustration.

If the transmitter does not emit a tone or flash the LED indicator when pressing the button, you have reached the end of the drive mode selections. Press the opposite side of the drive mode button to scroll the other direction through the drive modes.



## JUMPING

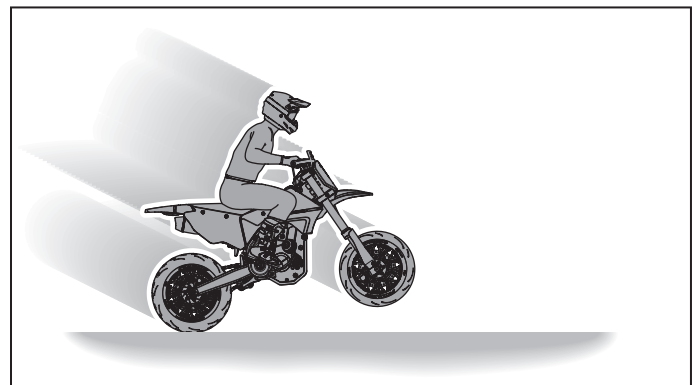
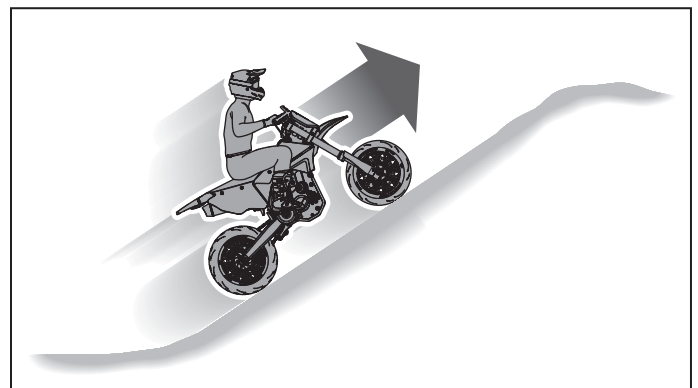
The Promoto-SM is very capable of off-road riding and jumping. Jumping and landing controllably requires timing, coordination, and most importantly, practice. We recommend starting with small jumps and progressing to larger jumps as you become more proficient.

When jumping, always accelerate up the face of the jump. This will pre-load the suspension and allow for a more stable, predictable attitude through the completion of the jump.

Use the throttle to control the vehicle pitch in the air. Increasing the throttle will cause the front wheel to pitch up. Decreasing the throttle will cause the front wheel to pitch down.

**IMPORTANT:** Due to the rotational force of the flywheel, the vehicle will pitch down more aggressively in the air than most rc vehicles. Conversely, the vehicle pitches up much less aggressively in the air while applying throttle than other vehicles. Because of this, we recommend against applying brakes in the air after leaving the jump.

The optimum landing attitude is for the rear wheel to contact the surface first while being on the throttle, keeping the weight from transferring to the front wheel. If you are not on the throttle, or if the vehicle lands on the front wheel, the weight will transfer over the front wheel, causing a less controllable landing.



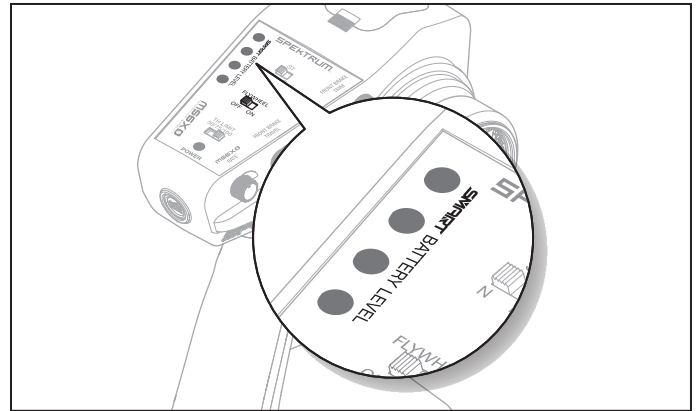
## RUN TIME

Run time for the vehicle is approximately 9-12 minutes, depending on your throttle usage and driving style.

The vehicle battery capacity is represented by the Smart battery level indicator on the transmitter. When the battery level drops below normal, a single green LED flashes on the battery level indicator. When the single green LED flashes, recharge or replace the vehicle battery.

If you continue to drive beyond the battery alarm, the low voltage cutoff (LVC) will activate, cutting power to the motor. LVC is a function built into the electronic speed control to protect the battery from over-discharge.

**NOTICE:** Repeated driving to the low voltage cutoff will damage the vehicle battery and shorten the battery life.

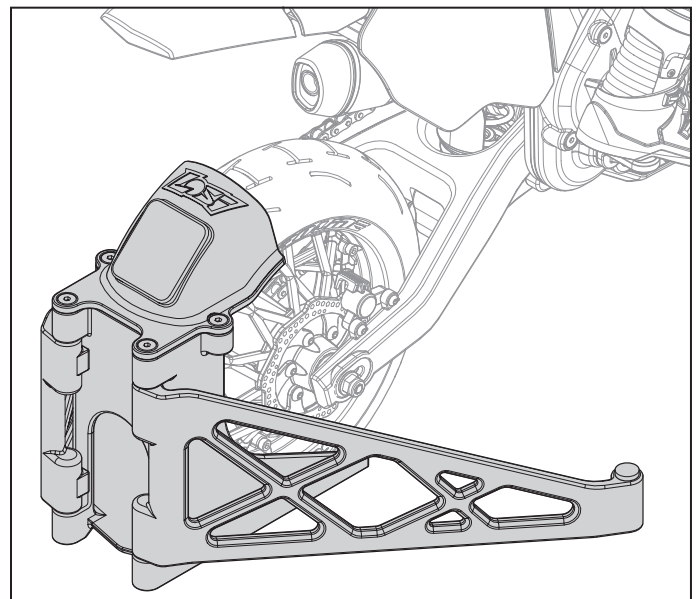
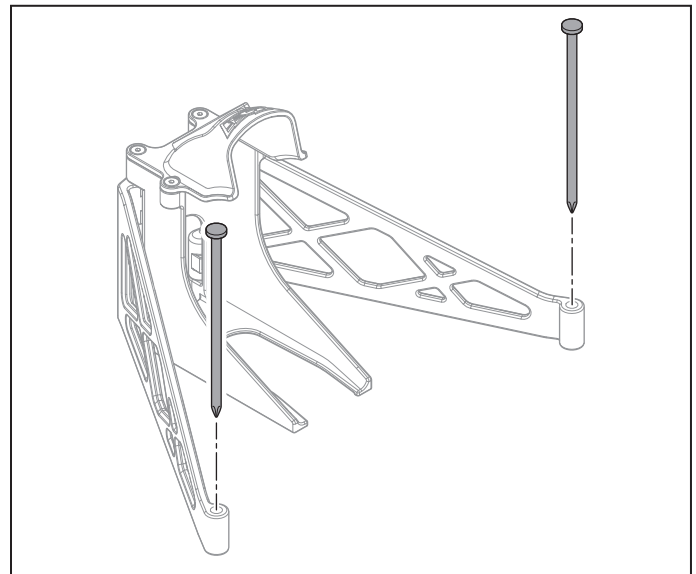


## MX START STAND

The Promoto-SM includes a motocross stand to use for racing starts.

To use the MX stand:

1. Place the stand on flat solid ground as shown, with the side supports fully extended.
2. Insert a 5in. 40D nail (included) through the hole in the end of each wing and into the ground.
3. Insert the rear wheel of the vehicle in the stand as shown, pressing the wheel fully into the stand. The stand will hold the wheel firmly.
4. When ready to start, simply press the throttle to drive away.





## DRIVE CHAIN TENSION

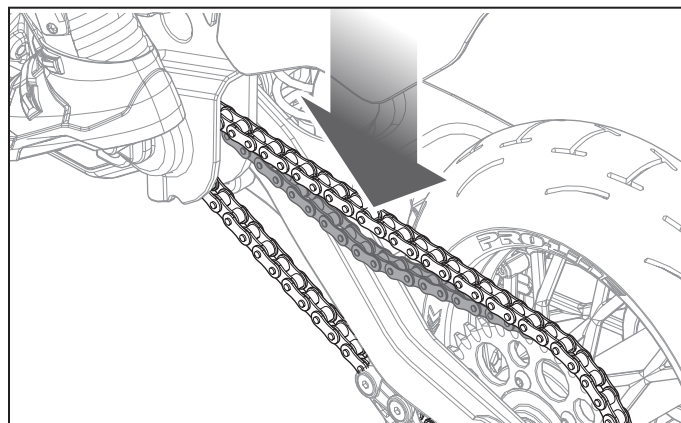
As the vehicle is driven more, the drive chain will seat with the sprockets and possibly wear some. As this happens, it may become necessary to adjust the chain tension. The Promoto-SM includes a chain tension adjustment set.

To check the chain tension:

1. Press down on the top side of the drive chain, approximately half way between the front and rear sprockets.

**TIP:** When correctly tensioned, the chain should be as taut as possible without causing any tight spots as the rear wheel is rotated.

2. If the chain contacts the top of the trailing arm, adjust the chain tension tighter by changing the rear axle spacer pill +.25, as described below.



To adjust the chain tension:

1. Remove the two M4 bolts from the rear axle.

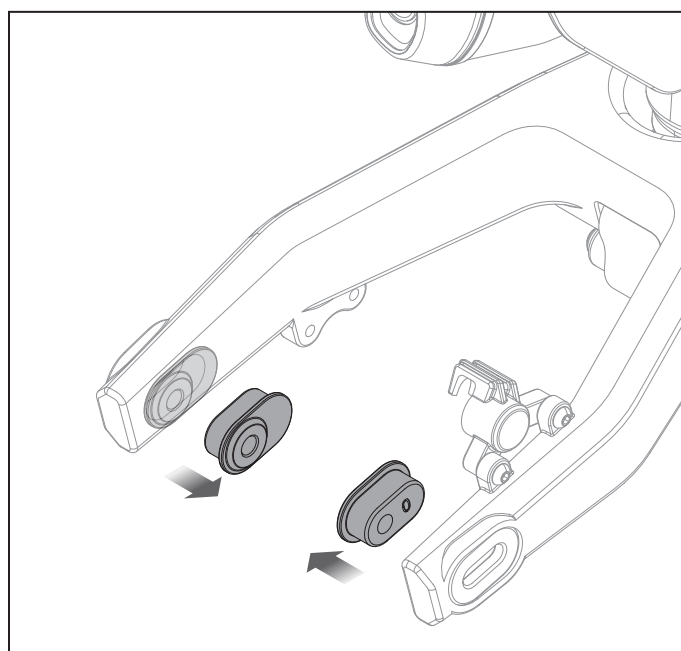
**TIP:** The axle is keyed for an M3 Allen wrench to help remove the other M4 bolt.

2. Move the rear wheel out of the way.
3. Press the rear axle spacer pills out of the trailing arms.
4. The spacer pills are marked with a zero or a number and arrow to show the distance and direction from the zero position the spacer will move the axle. The pills installed at the factory may vary.



Always install the spacer pills as a matching set, with the hole toward the rear of the trailing arm. Select the appropriate spacers and insert them into the trailing arms, ensuring they are oriented in the correct direction.

5. Install the rear wheel, ensuring the chain is installed around both the front and rear sprockets.
6. Install both M4 bolts into the rear axle.
7. Rotate the rear wheel to ensure it rotates freely.
8. Re-check the chain tension.



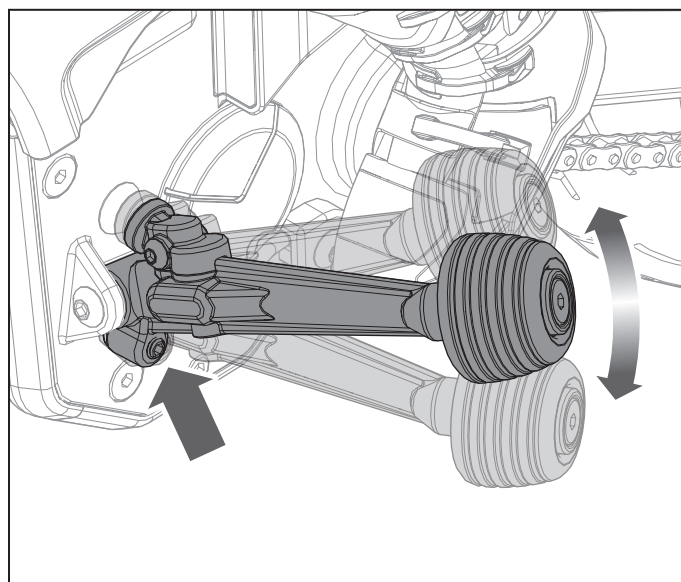
## LEAN BAR WHEEL ADJUSTMENT

The lean bar wheels on the Promoto-SM may be adjusted up and down to suit the terrain and your driving experience level.

- The stock position is good for general on-road running.
- Raise the lean bars for running on pavement or racing, to allow for greater lean and tighter turning.
- Lower the lean bars for less experienced drivers running off-road. Having the lean bars lowered allows for easier starting from a stop, as the motorcycle will “stand up” when power is applied while leaning on the lean bar wheels.

To adjust the lean bar wheels:

- Using a 2mm hex driver
  - turn the adjustment screw in to raise the lean bar wheel.
  - turn the adjustment screw out to lower the lean bar wheel.

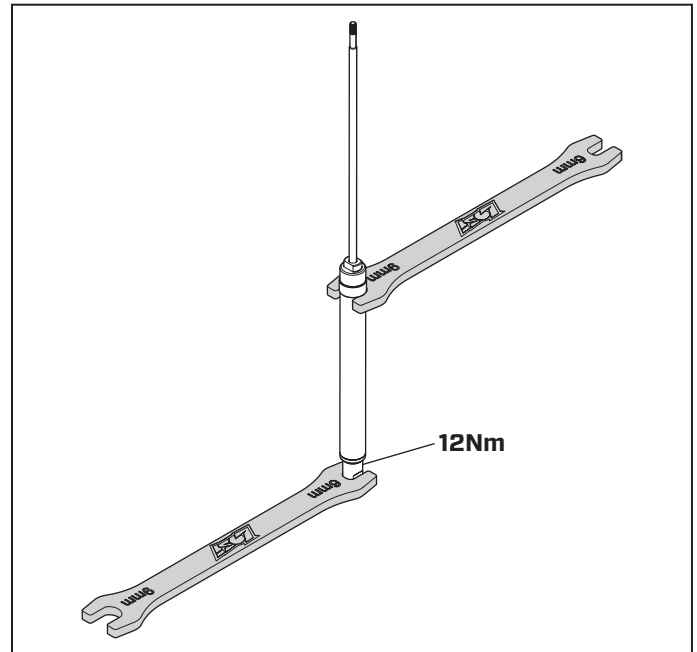


## FORK TOOLS

Use the fork tools to grip the flats on the fork sections as shown.

- The tube requires the 9mm end.
- The end fitting requires the 6mm end.

**IMPORTANT:** When re-assembling the fork tube, the end fitting should be tightened to 12Nm.



## LIMITED WARRANTY

### What this Warranty Covers

Horizon Hobby, LLC, (Horizon) warrants to the original purchaser that the product purchased (the "Product") will be free from defects in materials and workmanship for a period of 2 years from the date of purchase.

### What is Not Covered

This warranty is not transferable and does not cover (i) cosmetic damage, (ii) damage due to acts of God, accident, misuse, abuse, negligence, commercial use, or due to improper use, installation, operation or maintenance, (iii) modification of or to any part of the Product, (iv) attempted service by anyone other than a Horizon Hobby authorized service center, (v) Product not purchased from an authorized Horizon dealer, or (vi) Product not compliant with applicable technical regulations or (vii) use that violates any applicable laws, rules, or regulations.

OTHER THAN THE EXPRESS WARRANTY ABOVE, HORIZON MAKES NO OTHER WARRANTY OR REPRESENTATION, AND HEREBY DISCLAIMS ANY AND ALL IMPLIED WARRANTIES, INCLUDING, WITHOUT LIMITATION, THE IMPLIED WARRANTIES OF NON-INFRINGEMENT, MERCHANTABILITY AND FITNESS FOR A PARTICULAR PURPOSE. THE PURCHASER ACKNOWLEDGES THAT THEY ALONE HAVE DETERMINED THAT THE PRODUCT WILL SUITABLY MEET THE REQUIREMENTS OF THE PURCHASER'S INTENDED USE.

### Purchaser's Remedy

Horizon's sole obligation and purchaser's sole and exclusive remedy shall be that Horizon will, at its option, either (i) service, or (ii) replace, any Product determined by Horizon to be defective. Horizon reserves the right to inspect any and all Product(s) involved in a warranty claim. Service or replacement decisions are at the sole discretion of Horizon. Proof of purchase is required for all warranty claims. SERVICE OR REPLACEMENT AS PROVIDED UNDER THIS WARRANTY IS THE PURCHASER'S SOLE AND EXCLUSIVE REMEDY.

### Limitation of Liability

HORIZON SHALL NOT BE LIABLE FOR SPECIAL, INDIRECT, INCIDENTAL OR CONSEQUENTIAL DAMAGES, LOSS OF PROFITS OR PRODUCTION OR COMMERCIAL LOSS IN ANY WAY, REGARDLESS OF WHETHER SUCH CLAIM IS BASED IN CONTRACT, WARRANTY, TORT, NEGLIGENCE, STRICT LIABILITY OR ANY OTHER THEORY OF LIABILITY, EVEN IF HORIZON HAS BEEN ADVISED OF THE POSSIBILITY OF SUCH DAMAGES. Further, in no event shall the liability of Horizon

exceed the individual price of the Product on which liability is asserted. As Horizon has no control over use, setup, final assembly, modification or misuse, no liability shall be assumed nor accepted for any resulting damage or injury. By the act of use, setup or assembly, the user accepts all resulting liability. If you as the purchaser or user are not prepared to accept the liability associated with the use of the Product, purchaser is advised to return the Product immediately in new and unused condition to the place of purchase.

### Law

These terms are governed by Illinois law (without regard to conflict of law principals). This warranty gives you specific legal rights, and you may also have other rights which vary from state to state. Horizon reserves the right to change or modify this warranty at any time without notice.

### WARRANTY SERVICES

#### Questions, Assistance, and Services

Your local hobby store and/or place of purchase cannot provide warranty support or service. Once assembly, setup or use of the Product has been started, you must contact your local distributor or Horizon directly. This will enable Horizon to better answer your questions and service you in the event that you may need any assistance. For questions or assistance, please visit our website at [www.horizonhobby.com](http://www.horizonhobby.com), submit a Product Support Inquiry, or call the toll free telephone number referenced in the Warranty and Service Contact Information section to speak with a Product Support representative.

#### Inspection or Services

If this Product needs to be inspected or serviced and is compliant in the country you live and use the Product in, please use the Horizon Online Service Request submission process found on our website or call Horizon to obtain a Return Merchandise Authorization (RMA) number. Pack the Product securely using a shipping carton. Please note that original boxes may be included, but are not designed to withstand the rigors of shipping without additional protection. Ship via a carrier that provides tracking and insurance for lost or damaged parcels, as Horizon is not responsible for merchandise until it arrives and is accepted at our facility. An Online Service Request is available at [http://www.horizonhobby.com/content/service-center\\_render-service-center](http://www.horizonhobby.com/content/service-center_render-service-center). If you do not have internet access, please contact Horizon Product Support to obtain a RMA



number along with instructions for submitting your product for service. When calling Horizon, you will be asked to provide your complete name, street address, email address and phone number where you can be reached during business hours. When sending product into Horizon, please include your RMA number, a list of the included items, and a brief summary of the problem. A copy of your original sales receipt must be included for warranty consideration. Be sure your name, address, and RMA number are clearly written on the outside of the shipping carton.

**NOTICE:** Do not ship Li-Po batteries to Horizon. If you have any issue with a Li-Po battery, please contact the appropriate Horizon Product Support office.

#### Warranty Requirements

For Warranty consideration, you must include your original sales receipt verifying the proof-of-purchase date. Provided warranty conditions have been met, your Product will be serviced or replaced free of charge. Service or replacement decisions are at the sole discretion of Horizon.

#### Non-Warranty Service

Should your service not be covered by warranty, service will be completed and payment will be required without notification or estimate of the expense unless the expense

exceeds 50% of the retail purchase cost. By submitting the item for service you are agreeing to payment of the service without notification. Service estimates are available upon request. You must include this request with your item submitted for service. Non-warranty service estimates will be billed a minimum of 1/2 hour of labor. In addition you will be billed for return freight. Horizon accepts money orders and cashier's checks, as well as Visa, MasterCard, American Express, and Discover cards. By submitting any item to Horizon for service, you are agreeing to Horizon's Terms and Conditions found on our website [http://www.horizonhobby.com/content/service-center\\_render-service-center](http://www.horizonhobby.com/content/service-center_render-service-center).

**ATTENTION:** Horizon service is limited to Product compliant in the country of use and ownership. If received, a non-compliant Product will not be serviced. Further, the sender will be responsible for arranging return shipment of the un-serviced Product, through a carrier of the sender's choice and at the sender's expense. Horizon will hold non-compliant Product for a period of 60 days from notification, after which it will be discarded.

10/15

## WARRANTY AND SERVICE CONTACT INFORMATION

COUNTRY OF PURCHASE	HORIZON HOBBY	CONTACT INFORMATION	ADDRESS
United States of America	Horizon Service Center (Repairs and Repair Requests)	<a href="http://servicecenter.horizonhobby.com/RequestForm/">servicecenter.horizonhobby.com/RequestForm/</a>	2904 Research Rd. Champaign, Illinois 61822 USA
	Horizon Product Support (Product Technical Assistance)	<a href="mailto:productsupport@horizonhobby.com">productsupport@horizonhobby.com</a> 877-504-0233	
	Sales	<a href="mailto:websales@horizonhobby.com">websales@horizonhobby.com</a> 800-338-4639	
European Union	Horizon Technischer Service	<a href="mailto:service@horizonhobby.eu">service@horizonhobby.eu</a> +49 (0) 4121 2655 100	Hanskampring 9 D 22885 Barsbüttel, Germany
	Sales: Horizon Hobby GmbH		

## FCC INFORMATION

### Contains FCC ID: BRWKATY1T FCC ID: BRWSPMSR6300PM

This equipment complies with FCC and IC radiation exposure limits set forth for an uncontrolled environment. This equipment should be installed and operated with minimum distance 20cm between the radiator and/or antenna and your body (excluding fingers, hands, wrists, ankles and feet). This transmitter must not be co-located or operating in conjunction with any other antenna or transmitter.

### SUPPLIER'S DECLARATION OF CONFORMITY

#### LOSI Promoto-SM RTR (LOS-2272, LOS-2310)

**FC** This device complies with part 15 of the FCC Rules. Operation is subject to the following two conditions:  
(1) This device may not cause harmful interference, and (2) this device must accept any interference received, including interference that may cause undesired operation.

**CAUTION:** Changes or modifications not expressly approved by the party responsible for compliance could void the user's authority to operate the equipment.

**NOTE:** This equipment has been tested and found to comply with the limits for a Class B digital device, pursuant to part 15 of the FCC Rules. These limits are

designed to provide reasonable protection against harmful interference in a residential installation. This equipment generates, uses and can radiate radio frequency energy and, if not installed and used in accordance with the instructions, may cause harmful interference to radio communications. However, there is no guarantee that interference will not occur in a particular installation. If this equipment does cause harmful interference to radio or television reception, which can be determined by turning the equipment off and on, the user is encouraged to try to correct the interference by one or more of the following measures:

- Reorient or relocate the receiving antenna.
- Increase the separation between the equipment and receiver.
- Connect the equipment into an outlet on a circuit different from that to which the receiver is connected.
- Consult the dealer or an experienced radio/TV technician for help.

Horizon Hobby, LLC

2904 Research Road Champaign, IL 61822

Email: [compliance@horizonhobby.com](mailto:compliance@horizonhobby.com)

Web: [HorizonHobby.com](http://HorizonHobby.com)

## IC INFORMATION

### CAN ICES-3 (B)/NMB-3(B) CONTAINS IC: 6157A-KATY1T IC: 6157A-SPMSR6300PM

This device contains license-exempt transmitter(s)/receivers(s) that comply with Innovation, Science, and Economic Development Canada's license-exempt RSS(s).

Operation is subject to the following 2 conditions:

1. This device may not cause interference.
2. This device must accept any interference, including interference that may cause undesired operation of the device.

## COMPLIANCE INFORMATION FOR THE EUROPEAN UNION

### CE EU COMPLIANCE STATEMENT:

**LOSI Promoto-SM RTR (LOS-2272);** Hereby, Horizon Hobby, LLC declares that the device is in compliance with the following: Radio Equipment Directive (RED) 2014/53/EU; RoHS 2 Directive 2011/65/EU; RoHS 3 Directive - Amending 2011/65/EU Annex II 2015/863.

**LOSI Promoto-SM RTR (LOS-2310);** Hereby, Horizon Hobby, LLC declares that the device is in compliance with the following: Radio Equipment Directive (RED) 2014/53/EU; Low Voltage Directive (LVD) 2014/35/EU; 2014/30/EU EMC Directive; RoHS 2 Directive 2011/65/EU; RoHS 3 Directive - Amending 2011/65/EU Annex II 2015/863.

The full text of the EU declaration of conformity is available at the following internet address: <https://www.horizonhobby.com/content/support-render-compliance>.

**NOTE:** This product contains batteries that are covered under the 2006/66/EC European Directive, which cannot be disposed of with normal household waste. Please follow local regulations.

### Wireless Frequency Range and Wireless Output Power: Transmitter:

2402 - 2478 MHz  
17.7dBm

### Receiver:

2405 - 2478 MHz  
5.779dBm

### EU Manufacturer of Record:

Horizon Hobby, LLC  
2904 Research Road  
Champaign, IL 61822 USA

### EU Importer of Record:

Horizon Hobby, GmbH  
Hanskampring 9  
22885 Barsbüttel Germany

### WEEE NOTICE:



This appliance is labeled in accordance with European Directive 2012/19/EU concerning waste of electrical and electronic equipment (WEEE). This label indicates that this product should not be disposed of with household waste. It should be deposited at an appropriate facility to enable recovery and recycling.

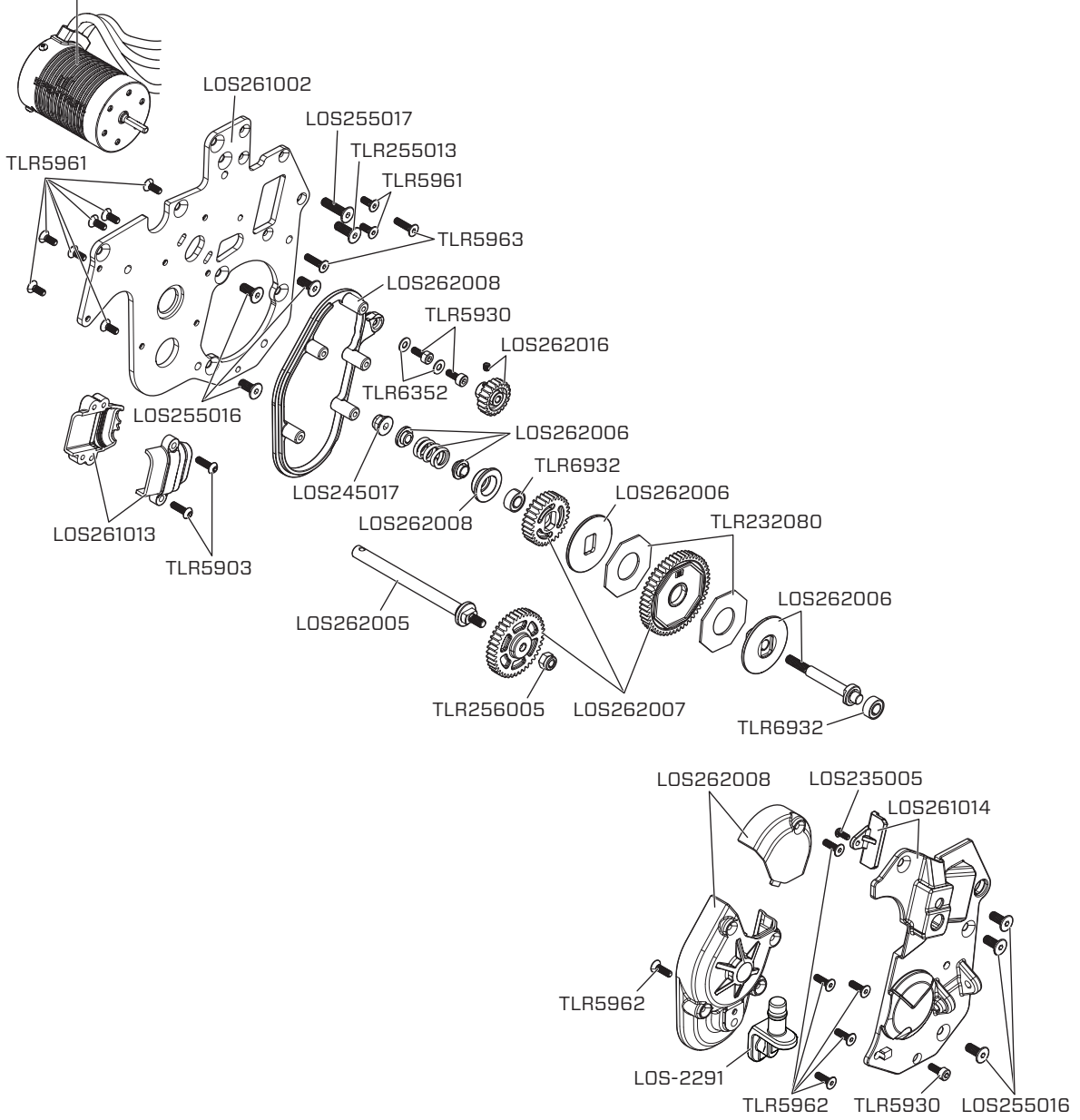


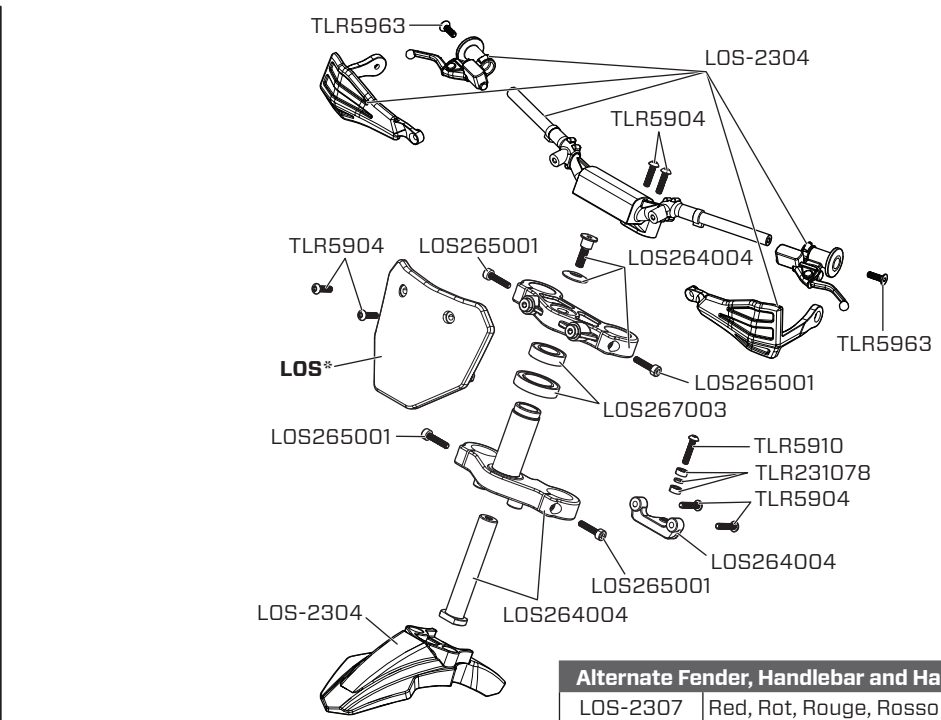
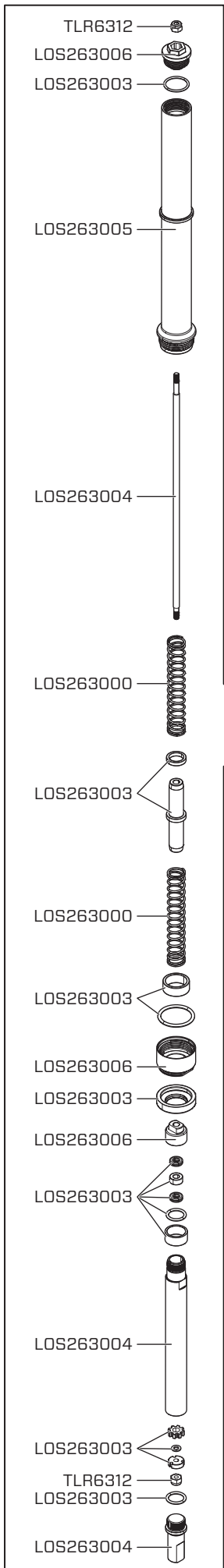




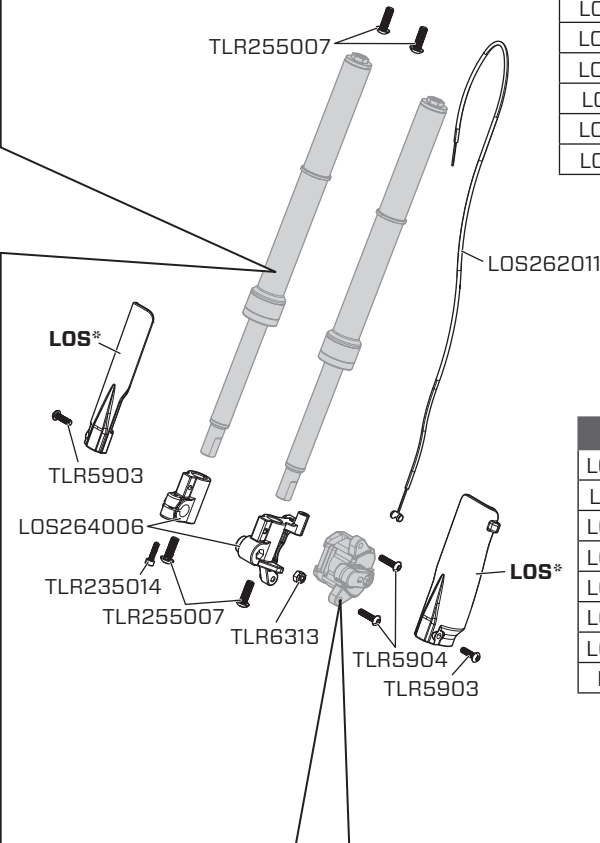


SPMXSM3200

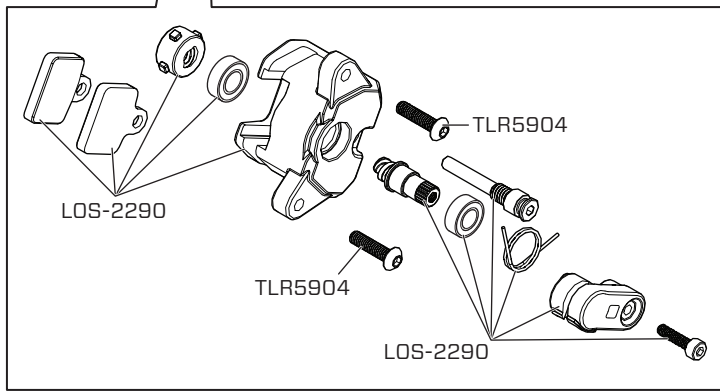


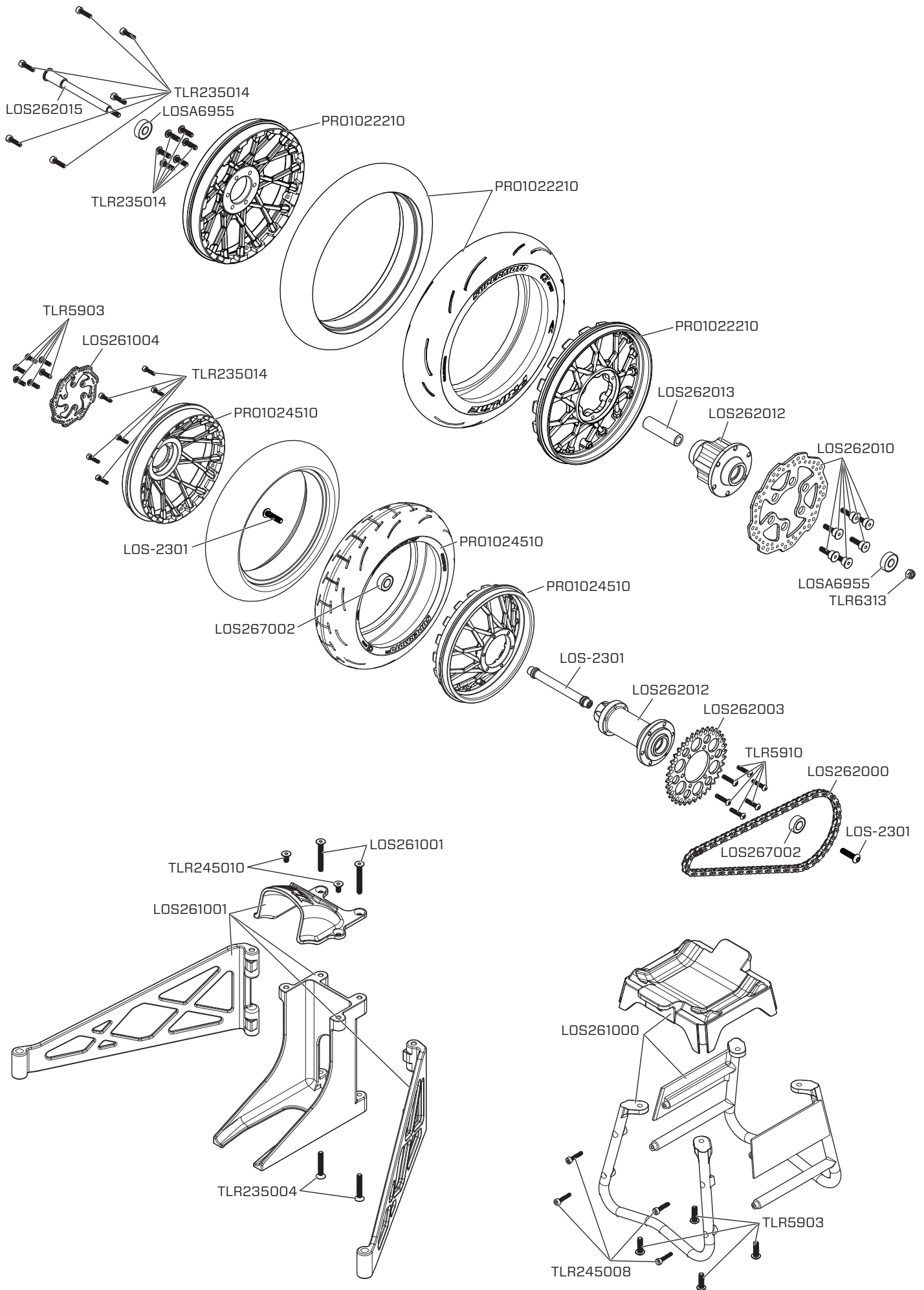


Alternate Fender, Handlebar and Handguard Colors	
LOS-2307	Red, Rot, Rouge, Rosso
LOS-2292	Yellow, Gelb, Jaune, Giallo
LOS-2308	Green, Grün, Vert, Verde
LOS-2306	Blue, Blau, Bleu, Blu
LOS-2281	Black, Schwarz, Noir, Nero
LOS-2295	Pink, Rosa, Rose, Rosa
LOS-2297	Orange, Orange, Orange, Arancione



LOS*	
LOS260000	Red, Rot, Rouge, Rosso
LOS260001	Blue, Blau, Bleu, Blu
LOS260002	Green, Grün, Vert, Verde
LOS260003	Yellow, Gelb, Jaune, Giallo
LOS260004	Orange, Orange, Orange, Arancione
LOS260005	White, Weiß, Blanc, Bianco
LOS260006	Black, Schwarz, Noir, Nero
LOS-2302	Pink, Rosa, Rose, Rosa





# REPLACEMENT PARTS | ERSATZTEILE | PIÈCES DE RECHANGE | PARTI DI RICAMBIO

#	DESCRIPTION	BESCHREIBUNG	DESCRIPTION	DESCRIZIONE
DYN2267	Servo Tape, Black; 1 1/2	Servoband, schwarz; 1 1/2"	Ruban adhésif pour servo, noir ; 1 1/2 po	Nastro per servoassistiti, nero; 1 1/2"
LOS-2281	Fender, Handguards & Handle Bars, Black: PM-SM	Schutzbleche, Handschützer und Lenker, Schwarz: PM-SM	Garde-boue, protège-mains et poignées, noirs : PM-SM	Parafango, paramani e manubri, nero: PM-SM
LOS-2282	Rider Jersey Set FXR Yellw Podium Gladiator: PM-SM	Fahrer Jersey-Satz FXR Gelb Podium Gladiator: PM-SM	Ensemble de maillots de motard FXR Podium Gladiator, jaune : PM-SM	Set maglia miniatura FXR Podium Gladiator Giallo: PM-SM
LOS-2283	Handle Bar Set: PM-MX/SM	Lenkerset: PM-MX/SM	Ensemble de poignée : PM-MX/SM	Kit manubri: PM-MX/SM
LOS-2284	Rider Figure Upper, FXR Yellow: PM-SM	Fahrerfigur, obere Körperhälfte, FXR Gelb: PM-SM	Figurine de motard supérieure, FXR Jaune : PM-SM	Miniatura pilota parte superiore, FXR Giallo: PM-SM
LOS-2285	5 x 9 x 3mm Ball Bearing, Rubber Sealed (4)	5 x 9 x 3 mm Kugellager, Gummidichtung (4)	Roulement à billes hermétique en caoutchouc 5 x 9 x 3 mm (4)	Cuscinetti a sfera sigillati in gomma 5x9x3 mm (4)
LOS-2286	Supermoto FXR Graphics Wrap Kit: PM-SM	Supermoto FXR Aufkleber-Set: PM-SM	Kit de revêtement graphique Supermoto FXR : PM-SM	Decalcomanie Supermoto FXR Graphics Wrap Kit: PM-SM
LOS-2287	Lean Bar Spring Set, 2.3, 2.5, 2.7mm: PM-MX/SM	Schräglenker-Federsatz, 2,3, 2,5, 2,7 mm: PM-MX/SM	Ensemble de ressorts pour barres d'inclinaison, 2,3, 2,5, 2,7 mm : PM-MX/SM	Set molle barre inclinazione, 2,3; 2,5; 2,7 mm: PM-MX/SM
LOS-2288	Rubber Lean Bar Wheels & Stops (6): PM-SM	Gummi-Schräglagenräder und Stopper (6): PM-SM	Roues et butées de la barre d'inclinaison en caoutchouc (6) : PM-SM	Ruote e fermi barre inclinazione gomma (6): PM-SM
LOS-2289	Exhaust Tips (8): PM-MX/SM	Auspuffblenden (8): PM-MX/SM	Embouts d'échappement (8) : PM-MX/SM	Terminali scarico (8): PM-MX/SM
LOS-2290	Front Brake Caliper, V2, Assembled: PM-SM	Bremssattel vorne, V2, montiert: PM-SM	Étrier de frein avant, V2, assemblé : PM-SM	Pinza freno anteriore, V2, assemblato: PM-SM
LOS-2291	Foot Pegs & Chain Guard: PM-SM	Fußrasten und Kettenschutz: PM-SM	Repose-pieds et protège-chaîne : PM-SM	Pedane e paracatena: PM-SM
LOS-2293	Rider Figure Lower, All: PM-MX/SM	Fahrerfigur, untere Körperhälfte, Alle: PM-MX/SM	Figure du pilote inférieure, tout : PM-MX/SM	Miniatura pilota parte inferiore, tutte: PM-MX/SM
LOS-2294	Front Wheel Set, Satin Chrome: PM-SM	Vorderradsatz, matt verchromt: PM-SM	Ensemble de roue avant, chrome satiné : PM-SM	Set ruota anteriore, satinato cromato: PM-SM
LOS-2296	Rider Jersey Set FXR Black Podium Gladiator: PM-SM	Fahrer Jersey-Satz, FXR Schwarz Podium Gladiator: PM-SM	Ensemble de maillots de motard FXR Podium Gladiator, noir : PM-SM	Set maglia miniatura FXR Podium Gladiator Nero: PM-SM
LOS-2298	Lean Bar Set with Hardware: PM-SM	Schräglenkensatz mit Hardware: PM-SM	Ensemble de barres d'inclinaison avec quincaillerie : PM-SM	Set barre inclinazione con bulloneria: PM-SM
LOS-2299	Brake Pads (2): PM-MX/SM	Bremsbeläge (2): PM-MX/SM	Plaquettes de frein (2) : PM-MX/SM	Pastiglie freni (2): PM-MX/SM
LOS-2300	6 x 10 x 3mm Ball Bearing, Rubber Sealed (4)	6 x 10 x 3 mm Kugellager, Gummidichtung (4)	Roulement à billes hermétique en caoutchouc 6 x 10 x 3 mm (4)	Cuscinetti a sfera sigillati in gomma 6x10x3 mm (4)
LOS-2301	Rear Axle Hub, V2 & Front Bearing Spacer: PM-MX/SM	Hinterachsnabe, V2 und vorderer Lagerabstandshalter: PM-MX/SM	Moyeu d'essieu arrière, V2 et entretoise de roulement avant : PM-MX/SM	Mozzo assale posteriore, V2 e distanziale cuscinetti anteriori: PM-MX/SM
LOS-2303	High Bite Aluminum Front Brake Rotor w/ Screws: PM-MX	Vorderradbremsscheibe aus hochgriffigem Aluminium mit Schrauben: PM-MX	Rotor de frein avant en aluminium à forte adhérence avec vis : PM-MX	Rotore freno anteriore high bite alluminio con viti: PM-MX
LOS-2304	Fender, Handguards & Handle Bars, White: PM-SM	Schutzbleche, Handschützer & Lenker, Weiß: PM-SM	Garde-boue, protège-mains et poignées, blancs : PM-SM	Parafango, paramani e manubri, bianco: PM-SM
LOS235002	Cap Head Screws M2.5 x 10mm (10)	Inbusschrauben, M2,5 x 10 mm (10)	Vis d'assemblage creuses M2,5x10 mm (10)	Viti a testa cilindrica M2,5x10 mm (10)
LOS235005	Button Head Screws M2.5x6mm (10)	Rundkopfschrauben, M2,5 x 6 mm (10)	Vis à tête bombée M2,5x6 mm (10)	Viti testa tonda M2.5x6 mm (10)
LOS235007	Button Head Screws M4 x 12mm (10)	Rundkopfschrauben, M4 x 12 mm (10)	Vis à tête bombée M4 x 12 mm (10)	Viti testa tonda M4 x 12 mm mm (10)
LOS235018	Set Screw, M3 X 3mm (10)	Stellschraube, M3 x 3 mm (10)	Vis de fixation, M3x3 mm (10)	Viti di fermo, M3 x 3 mm (10)
LOS235024	Button Head Screws M3x25mm (10)	Rundkopfschrauben, M3x25 mm (10)	Vis à tête bombée M3x25 mm (10)	Viti a testa tonda, M3x25 mm (10)
LOS236001	3.2mm x 7mm x .5mm Washer (10)	3,2 mm x 7 mm x 0,5 mm Unterlegscheibe(10)	Rondelle 3,2 mmx7 mmx0,5 mm (10)	Rondella 3,2 mm x 7 mm x 0,5 mm (10)
LOS255011	Button Head Screws, Stl, BO, M4 x 30mm (10)	Rundkopfschrauben, Stl, BO, M4x30 mm(10)	Vis à tête bombée, acier, BO, M4x30 mm (10)	Viti testa rotonda, Stl, BO, M4x30mm(10)
LOS255014	Button Head Screws, Stl, BO, M4 x 14mm (10)	Rundkopfschrauben, Stl, BO, M4x14 mm(10)	Vis à tête bombée, acier, BO, M4x14 mm (10)	Viti testa rotonda, Stl, BO, M4x14mm(10)
LOS255016	Flat Head Screws, Stl, BO, M4 x 10mm (10)	Flachkopfschrauben, Stl, BO, M4x10 mm(10)	Vis à tête plate, acier, BO, M4x10 mm (10)	Viti a testa piatta, Stl, BO, M4x10mm(10)



#	DESCRIPTION	BESCHREIBUNG	DESCRIPTION	DESCRIZIONE
LOS255017	Flat Head Screws, Stl, BO, M4 x 16mm (10)	Flachkopfschrauben, Stl, BO, M4x16 mm(10)	Vis à tête plate, acier, BO, M4x16 mm (10)	Viti a testa piatta, Stl, BO, M4x16mm(10)
LOS255018	Flat Head Screws, Stl, BO, M4 x 25mm (10)	Flachkopfschrauben, Stl, BO, M4x25 mm(10)	Vis à tête plate, acier, BO, M4x25 mm (10)	Viti a testa piatta, Stl, BO, M4x25mm(10)
LOS255019	Flat Head Screws, Stl, BO, M4 x 14mm (10)	Flachkopfschrauben, Stl, BO, M4x14 mm(10)	Vis à tête plate, acier, BO, M4x14 mm (10)	Viti a testa piatta, Stl, BO, M4x14mm(10)
LOS260005	White Plastics w/Wraps: PM-MX	Weißer Kunststoff mit Bindern: PM-MX	Plastiques blancs avec emballages : PM-MX	Plastica bianca con involucri: PM-MX
LOS261000	Bike Stand, Composite: PM-MX	Motorradständer, Verbundwerkstoff: PM-MX	Support de moto, composite : PM-MX	Cavalletto per moto, Composito: PM-MX
LOS261001	Standing Stand, Composite: PM-MX	Ständer, Verbundwerkstoff: PM-M	Support sur pied, composite : PM-M	Cavalletto, Composito: PM-M
LOS261002	Chassis Plate Set, Aluminum: PM-MX	Karoserieschienenenset, Alu: PM-MX	Ensemble de plaques de châssis, aluminium : PM-MX	Set piastre telaio, alluminio: PM-MX
LOS261003	Seat, Battery Box Set: PM-MX	Sitz, Akku-Box-Set: PM-MX	Siège, boîtier de batterie : PM-MX	Sedile, set di batterie: PM-MX
LOS261004	Exhaust & Rear Brake Rotor: PM-MX	Auspuff und hintere Bremsscheibe: PM-M	Rotor d'échappement et de frein arrière : PM-M	Scarico e rotore del freno posteriore: PM-M
LOS261005	Flywheel Housing & Seal Set: PM-MX	Schwungrad Gehäuse und Dichtung St: PM-M	Ensemble boîtier et joint du volant d'inertie : PM-M	Corpo e guarnizione del volano St:PM-M
LOS261006	Rider Mount Set: PM-MX	Fahrerhalterungsset: PM-MX	Ensemble de montage : PM-MX	Set supporto pilota: PM-MX
LOS261008	Rear Fender Mount Set: PM-MX	Heck Schutzblechhalterungsset: PM-MX	Ensemble de montage de garde-boue arrière : PM-MX	Set di supporti per parafango posteriore: PM-MX
LOS261009	Crash Structure Shock: PM-MX	Stoßdämpfer Crashstruktur: PM-MX	Amortisseur de structure de collision : PM-MX	Struttura antiurto ammortizzatore: PM-MX
LOS261010	Control Arms & Hardware, Crash Structure: PM-MX	Steuerarm und Hardware Crashstruktur: PM-M	Structure de collision de bras de commande et quincaillerie : PM-M	Braccio di comando e bull. struttura antiurto: PM-M
LOS261011	Servo Saver Assembly: PM-MX	Servo Saver Baugruppe: PM-MX	Ensemble d'économiseurs de servo : PM-MX	Complessivo salva servo: PM-MX
LOS261012	Front Bulkhead: PM-MX	Vordere Spritzwand: PM-MX	Cloison avant : PM-MX	Paratia posteriore: PM-MX
LOS261013	Electronic Mount Set: PM-MX	Elektronikhalterungsset: PM-MX	Ensemble de montage électronique : PM-MX	Set supporto elettronico: PM-MX
LOS261014	Chassis Side Cover Set: PM-MX	Chassis-Seitenplattensatz: PM-MX	Ensemble de cache latérale de châssis : PM-MX	Set piastra laterale telaio: PM-MX
LOS262000	Chain, 70 Roller: PM-MX	Kette, 70er Laufrolle: PM-MX	Chaîne, 70 rouleaux : PM-MX	Catena, 70 rulli: PM-MX
LOS262002	Chain Tension Adjuster Set: PM-MX	Kettenspannersatz: PM-M	Ensemble d'ajustement de la tension de la chaîne : PM-M	Set di regolatori della tensione della catena: PM-M
LOS262003	Hub Chain Sprocket, Clear: PM-MX	Nabe Kettenrad, durchsichtig: PM-M	Pignon de chaîne de moyeu, transparent : PM-M	Pignone per catena mozzo, trasparente: PM-M
LOS262004	Front Chain Sprocket, Steel: PM-MX	Vorderes Kettenrad Stahl: PM-M	Pignon de chaîne avant en acier : PM-M	Pignone anteriore in acciaio: PM-M
LOS262005	Swing Arm Layshaft w/ Hardware: PM-MX	Schwingarm-Vorgelegewelle mit Hardware: PM-M	Arbre intermédiaire de bras pivotant avec quincaillerie : PM-M	Albero a cavalletto del braccio oscillante con cavo di alimentazione: PM-M
LOS262006	Slipper Unit, Complete, Assembled: PM-MX	Gleiteinheit, Verbundstoff, montiert: PM-M	Unité de sabot complet, assemblé : PM-M	Unità di scivolamento, assemblaggio di componenti: PM-M
LOS262007	Transmission Gear Set: PM-MX	Getriebebesatz: PM-MX	Ensemble de boîte de transmission : PM-MX	Set ingranaggi trasmissione: PM-MX
LOS262008	Transmission Housing Set: PM-MX	Getriebegehäusesatz: PM-MX	Ensemble boîte de transmission : PM-MX	Set alloggiamento trasmissione: PM-MX
LOS262010	Steel Front Brake Rotor w/ Screws: PM-MX	Stahl vordere Bremsscheibe und Schraube: PM-M	Rotor de frein avant en acier et vis : PM-M	Rotore e vite del freno in acciaio: PM-M
LOS262011	Brake Cable w/Housing: PM-MX	Bremskabel mit Gehäuse: PM-MX	Câble de frein avec boîtier : PM-MX	Cavo del freno con custodia: PM-MX
LOS262012	Hub Set, Composite: PM-MX	Nabensatz, Verbundstoff: PM-MX	Ensemble de moyeux, composite : PM-MX	Set mozzo, composito: PM-MX
LOS262013	Complete Front Hub Assembly: PM-MX	Verbundstoff Vorderradnabe Baugruppe: PM-MX	Ensemble de moyeu avant, composite : PM-MX	Gruppo mozzo anteriore Ass.: PM-MX
LOS262015	Axle Set: PM-MX	Achssatz: PM-MX	Ensemble d'essieu : PM-MX	Set assale: PM-MX
LOS262016	Pinion Gear, 20T, 32-pitch, 1/8 Shaft	Zahnradgetriebe 20T 32p 1/8" Welle	Engrenage à pignons, arbre de 20T, 32p, 1/8 po	Pignone 20T 32p albero da 1/8"
LOS263000	Front Fork Spring Set: PM-MX	Gabelfedersatz vorne: PM-MX	Ensemble de ressorts de fourche avant : PM-MX	Set molla forcella anteriore: PM-MX
LOS263001	Rear Shock Spring Set: PM-MX	Hintere Stoßdämpferfedern Satz: PM-MX	Ensemble de ressorts d'amortisseur arrière : PM-MX	Set molle amm. post.: PM-MX
LOS263002	Fork Set, Complete & Assembled: PM-MX	Gabelsatz, Verbundstoff, montiert: PM-MX	Ensemble de fourches, complet et assemblé : PM-MX	Set di forcella, Comp & Assemb.: PM-MX
LOS263003	Fork Rebuild Kit: PM-MX	Gabel-Umbausatz: PM-MX	Kit de reconstruction de fourche : PM-MX	Kit riparazione forcella: PM-MX
LOS263004	Fork Shaft Set: PM-MX	Gabelwellensatz: PM-MX	Ensemble d'arbre de fourche : PM-MX	Set albero forcella: PM-MX

#	DESCRIPTION	BESCHREIBUNG	DESCRIPTION	DESCRIZIONE
LOS263005	Fork Tube Set: PM-MX	Gabelrohrsatz: PM-MX	Ensemble de tube de fourche : PM-MX	Set tubo forcella: PM-MX
LOS263006	Fork Cap Set: PM-MX	Gabelkappensatz: PM-MX	Ensemble de capuchon de fourche : PM-MX	Set di tappi per forcella: PM-MX
LOS263007	Rear Shock Set, Complete & Assembled: PM-MX	Hint. Stoßdämpfersatz, Verbundstoff, montiert: PM-M	Ensemble d'amortisseur arrière, complet et assemblé : PM-M	Set di ammortizzatori posteriori, comp e assemblati: PM-M
LOS263008	Shock Plastics & Hardware: PM-MX	Kunststoff-Stoßdämpfer und Hardware: PM-M	Plastiques et quincaillerie d'amortisseur : PM-M	Plastiche e bulloneria ammortizzatori: PM-M
LOS263009	Shock Rebuild Kit: PM-MX	Stoßdämpfer-Umbausatz: PM-MX	Kit de reconstruction d'amortisseur : PM-MX	Kit ricostruzione ammortizzatore: PM-MX
LOS263010	Shock Shaft, 4 x 65mm, TiCN (1): PM-MX	Kolbenstange, 4 x 65 mm TiCN: PM-M	Bras d'amortisseur, 4x65 mm, TiCN : PM-M	Albero ammortizzatore, 4 x 65 mm TiCN: PM-M
LOS263011	Shock Body, Aluminum, Hard Anodized, 53.6mm: PM-MX	Stoßdämpfergehäuse Alu HA 53,6 mm: PM-M	Corps antichoc, aluminium, HA, 53,6 mm : PM-M	Corpo dell'ammortizzatore in alluminio HA 53,6 mm: PM-M
LOS263012	Shock Cap Bushings (2): PM-MX	Buchsen Stoßdämpferkappen (2): PM-MX	Bagues de capuchon d'amortisseur (2) : PM-MX	Boccole tappi ammortizzatore (2): PM-MX
LOS263013	Fork & Shock Tools: PM-MX	Gabel und Stoßdämpfer Werkzeug: PM-MX	Outils pour fourche et amortisseur : PM-MX	Strumenti per forcella e ammortizzatori: PM-MX
LOS264000	Rear Swing Arm: PM-MX	Hint. Schwingarm: PM-MX	Bras pivotant arrière : PM-MX	Braccio oscillante post.: PM-MX
LOS264001	Pull Rod, Knuckle & Skid Plates: PM-MX	Zugstange Gelenk und Kufe KSt: PM-M	Rotule de tirette et plaque de protection : PM-M	Snodo dell'asta di trazione e pattino: PM-M
LOS264004	Triple Clamp Set: PM-MX	Gabelbrückensatz: PM-MX	Ensemble de bride triple : PM-MX	Set di morsetti tripli: PM-MX
LOS264005	Rear Suspension Hardware Set: PM-MX	Hardware hintere Aufhängung: PM-MX	Matériel de suspension arrière : PM-MX	Bulloneria sospensione posteriore: PM-MX
LOS264006	Fork Lug Set: PM-MX	Gabelschuhsatz: PM-MX	Ensemble de languettes de fourche : PM-MX	Set di capicorda della forcella: PM-MX
LOS265000	Button Head Screws, M2 x 8mm (10)	Rundkopfschrauben, M2 x 8 mm (10)	Vis à tête bombée, M2x8 mm (10)	Viti a testa tonda, M2 x 8 mm (10)
LOS265001	Cap Head Screws, M3 x 14mm (10)	Inbusschrauben, M3 x 14 mm (10)	Vis d'assemblage creuses, M3x14 mm (10)	Viti testa cilindrica, M3x14 mm (10)
LOS265002	Flat Head Screws, M4 x 30mm (10)	Flachkopfschrauben, M4 x 30 mm (10)	Vis à tête plate, M4x30 mm (10)	Viti a testa piana, M4 x 30 mm (10)
LOS266000	Body Clip (10) & Leash (4): PM-MX	Gehäuseklemmen (10) und Schnur (4) PM-M	Clip de carrosserie (10) et laisse (4) : PM-M	Clip per carrozzeria (10) e laccio (4): PM-M
LOS267000	8 x 12 x 3.5mm Ball Bearing, Flanged, Rubber (2)	8 x 12 x 3,5 mm geflanshtes Kugellager (2)	Bride de roulement à billes 8x12x3,5 mm (2)	Flangia per cuscinetti a sfera 8x12x3,5 mm (2)
LOS267001	4 x 8 x 3mm Bushing, Oil-Embedded (6)	4 x 10 x 4 mm Kugellager Gummi (2)	Roulement à billes en caoutchouc 4x10x4 mm (2)	Cuscinetti a sfera in gomma 4x10x4 mm (2)
LOS267002	7 x 14 x 5mm Ball Bearing, Rubber Sealed (2)	7 x 14 x 5 mm Kugellager Gummi (2)	Roulement à billes en caoutchouc 7x14x5 mm (2)	Cuscinetti a sfera in gomma 7x14x5mm (2)
LOS267003	Steer Shaft Sealed Bearing Set: PM-MX	Dichtungslager für Lenkwelle: PM-MX	Roulements du joint de l'arbre de direction : PM-MX	Cuscinetti di tenuta dell'albero sterzante: PM-MX
LOS362008	Hub Chain Sprocket, Hard Anodized: PM-MX	Nabe Kettenrad, harteloxiert: PM-MX	Pignon de chaîne de moyeu à anodisation dure : PM-MX	Pignone catena mozzo, anodizzato: PM-MX
LOSA6937	5x10x4mm Shielded Ball Bearing(2)	5 x 10 x 4 mm abgedichtetes Kugellager (2)	Roulement à billes blindé, 5x10x4 mm (2)	Cuscinetti a sfera schermati 5x10x4 mm (2)
LOSA6940	6x12x4mm Sealed Ball Bearing (4)	6 x 12 x 4 mm abgedichtetes Kugellager (4)	Roulement à billes hermétique 6x12x4 mm (4)	Cuscinetti a sfera sigill 6x12x4 mm (4)
LOSA6945	8x14x4 Rubber Sealed Ball Bearing (4)	8 x 14 x 4 mm gummiuersiegeltes Kugellager (4)	Roulement à billes hermétique en caoutchouc 8x14x4 (4)	Cuscinetti a sfera sigillati in gomma 8x14x4 mm (4)
LOSA6955	5x13x4mm HD Clutch Bearings (2):8B/8T	5 x 13 x 4 mm HD Kupplungslager (2): 8B/8T	Roulements d'embrayage ultrarésistants 5x13x4 mm (2) : 8B/8T	Cuscinetti frizione HD 5x13x4 mm (2): 8B/8T
PRO1022210	1/4 Supermoto Tire Front MTD Black Wheel: PM-MX	Supermoto-Vorderreifen montiert, schwarz: PM-MX	Pneu avant rainuré monté noir Supermoto : PM-MX	Pneumatico Supermoto MTD ant. Blk: PM-MX
PRO1024510	Supermoto V2 S3 Rear Tire Mounted on Black Supermoto Wheel for Promoto-MX/SM	Supermoto V2 S3 Hinterreifen montiert auf schwarzem Supermoto-Rad für Promoto-MX/SM	Pneu arrière Supermoto V2 S3 monté sur roue Supermoto noire pour Promoto-MX/SM	Ruota posteriore Supermoto V2 S3 su cerchio Supermoto nero per Promoto-MX/SM
PRO282003	Supermoto Front Wheel, Black: Promoto-MX	Supermoto-Vorderrad, Schwarz: Promoto-MX	Roue avant Supermoto, noire : Promoto-MX	Cerchio Supermoto nero, anteriore: Promoto-MX
PRO282103	Supermoto Rear Wheel, Black: Promoto-MX	Supermoto-Hinterrad, Schwarz: Promoto-MX	Roue arrière Supermoto, noire : Promoto-MX	Cerchio Supermoto nero, posteriore: Promoto-MX
SPMR2345	DX3 SMART DSMR ProMoto TX Only	DX3 SMART DSMR nur ProMoto TX	Émetteur DX3 SMART DSMR ProMoto uniquement	Solo DX3 SMART DSMR ProMoto TX
SPMS620PM	S620PM Metal Gear Servo ProMoto	S620PM Metallgetriebe-Servo ProMoto	Servo à engrenages métalliques S620PM ProMoto	S620PM Servo per ingranaggi in metallo ProMoto
SPMSR6300PM	DSMR 6CH Receiver - ProMoto	DSMR Empfänger mit 6 Kanälen - ProMoto	Récepteur 6 canaux DSMR - ProMoto	Ricevitore DSMR 6CH - ProMoto





#	DESCRIPTION	BESCHREIBUNG	DESCRIPTION	DESCRIZIONE
SPMSSX108PM	SX108PM Micro Gear Servo Promoto	SX108PM Mikro-Servogetriebe ProMo	Micro servo à engrenage SX108PM ProMo	SX108PM Micro ingranaggi Servo ProMo
SPMXCA503	Connector: IC5 Device (2) Set	Anschluss: IC5 Gerät (2)	Connecteur : Dispositif IC5 (2)	Connettore: Dispositivo IC5 (2)
SPMXCA507	Adapter: IC3 Battery / IC5 Device	Adapter: IC3-Akku/IC5-Gerät	Adaptateur : Batterie IC3/ dispositif IC5	Adattatore: IC3 batteria/IC5 dispositivo
SPMXMXA1	Promoto-Mx Stator / ESC Assembly	Motorrad-Stator / ESC-Baugruppe	Assemblage de stator/ variateur de vitesse électronique de moto	Statore moto / ESC Assembl
SPMXMXA2	Promoto-Mx Flywheel Assembly	Schwungrad-Baugruppe für Motorräder	Assemblage du volant d'inertie de la moto	Complessivo volano moto
SPMXMXE85	Firma 85A Brushless Smart ESC; Promoto-MX	Firma 85 A bürstenloser Smart-Motor	Moteur sans balais 85 A Smart Firma	Smart ESC Firma 85A Brushless
SPMXMXEF1	Replacement Fan for SPMXMXE85 ESC	Ersatzlüfter für SPMXMXE85	Ventilateur de remplacement pour SPMXMXE85	Ventola di ricambio per SPMXMXE85
SPMXSM3200	FIRMA 3652 3800Kv 4-pole BL Motorcycle Motor	Firma 3652 3800 KV 4-poliger bürstenloser Motor	Moteur sans balais à 4 pôles 3 800 Kv FIRMA 3652	Motore FIRMA 3652 3800Kv 4 poli BL
TLR231078	Steering Hardware Set: 22 5.0	Hardwaresatz Lenkung: 22 5.0	Ensemble de matériel de direction : 22 5.0	Set bulloneria sterzo: 22 5.0
TLR232080	Slipper Pads, Max Drive, SHDS (2)	Gleitkissen, max. Antrieb SHDS (2)	Sabots de pistons, entraînement max., SHDS (2)	Tamponi pattini, trasmissione max, SHDS (2)
TLR233043	Shock Hardware, G3 (4)	Stoßdämpfer-Hardware, G3 (4)	Matériel d'amortisseur, G3 (4)	Bulloneria ammortizzatore, G3 (4)
TLR235003	Flat Head Screws, M2.5 x 6mm (10)	Flachkopfschrauben M2,5 x 6 mm	Vis à tête plate, M2,5x6 mm	Viti a testa piana, M2,5 x 6mm
TLR235006	Button Head Screws, M2.5 x 8mm (10)	Rundkopfschrauben, M2,5 x 8 mm (10)	Vis à tête bombée, M2,5x8 mm (10)	Viti a testa tonda, M2.5 x 8 mm (10)
TLR236009	Black Alum Flanged Locknut, M4 x 0.7mm x 7mm (4)	Aluminium-Mutter, schwarz, mit Flansch M4 x 7 mm (4)	Écrou à embase en aluminium noir, M4x7 mm (4)	Dado flangiato alluminio nero, M4x7 mm (4)
TLR245008	Cap Head Screws, M2x10mm (10)	Inbusschrauben, M2 x 10 mm (10)	Vis d'assemblage creuses, M2x10 mm (10)	Viti testa cilindrica M2x10 mm (10)
TLR245010	Flat Head Screws, M4x8mm (10)	Flachkopfschrauben, M4 x 8 mm (10)	Vis à tête plate, M4x8 mm (10)	Viti testa piana, M4x8 mm (10)
TLR245014	Cup Point Set Screws, M2.5x3mm (10)	Stellschrauben mit Ringschneide M2,5 x 3 mm (10)	Vis de pression à bout cuvette M2,5x3 mm (10)	Vite di fermo senza testa M2.5x3 mm (10)
TLR245016	M3 Flanged Lock Nuts (10)	M3 Sicherungsmuttern mit Flansch (10)	Contre-écrous à collet M3 (10)	Dadi flangiati M3 (10)
TLR255002	Button Head Screws, M2.5x10mm (10)	Rundkopfschrauben, M 2,5 x 10 mm (10)	Vis à tête bombée, M2,5x10 mm (10)	Viti a testa tonda, M2,5x10mm (10)
TLR255010	Button Head Screws, M4x25mm (10)	Rundkopfschrauben, M4 x 25 mm (10)	Vis à tête bombée, M4x25 mm (10)	Viti testa tonda, M4x25 mm (10)
TLR255013	Flat Head Screws, M4x12mm (10)	Flachkopfschrauben, M4x12 mm (10)	Vis à tête plate, M4x12 mm (10)	Viti testa piana, M4x12 mm (10)
TLR256005	Nylock Nut, M4 (10)	Nylock-Mutter, M4 (10)	Écrou nyloc, M4 (10)	Dado Nylock, M4 (10)
TLR5901	Button Head Screws, M3 x 6mm (10)	Rundkopfschrauben, M3 x 6 mm (10)	Vis à tête bombée, M3x6 mm (10)	Viti testa tonda, M3x6 mm (10)
TLR5903	Button Head Screws, M3 x 10mm (10)	Rundkopfschrauben, M3 x 10 mm (10)	Vis à tête bombée, M3x10 mm (10)	Viti testa tonda, M3x10 mm (10)
TLR5904	Button Head Screws, M3 x 12mm (10)	Rundkopfschrauben, M3 x 12 mm (10)	Vis à tête bombée, M3x12 mm (10)	Viti testa tonda, M3x12 mm (10)
TLR5910	Button Head Screws, M3 x 14mm (10)	Rundkopfschrauben, M3 x 14 mm (10)	Vis à tête bombée, M3x14 mm (10)	Viti a testa tonda, M3 x 14 mm (10)
TLR5913	Button Head Screws, M2.5 x 12mm (10)	Rundkopfschrauben M2,5 x 12 mm (10)	Vis à tête bombée, M2,5x12 mm (10)	Viti a testa tonda 2,5 x 12 mm (10)
TLR5961	Flathead Screws, M3 x 8mm (10)	Flachkopfschrauben, M3 x 8 mm (10)	Vis à tête plate, M3x8 mm (10)	Viti a testa piana, M3 x 8 mm (10)
TLR5964	Flathead Screw, M3 x 16mm (10)	Flachkopfschraube, M3 x 16 mm (10)	Vis à tête plate, M3x16 mm (10)	Viti testa piana, M3x16 mm (10)
TLR6312	Locknut, M2.5 x .45 x 5mm (6)	Kontermutter M2,5 x 0,45 x 5 mm (6)	Contre-écrou, M2,5x0,45 x 5 mm (6)	Controdadi M2,5x0,45x5 mm (6)
TLR6313	Locknut, M3 x .5 x 5.5mm (10)	Kontermutter, M3 x 0,5 x 5,5 mm (10)	Contre-écrou, M3x0,5x5,5 mm (10)	Controdadi M3x0,5x5,5 mm (10)
TLR75009	Silicone Diff Fluid, 500000CS	Differential-Silikonflüssigkeit, 500000CS	Liquide silicone pour différentiel, 500 000 CS	Fluido diff silicone, 500.000 CS
TLR76009	TLR Lok, Threadlock, Blue	TLR Lok, Schraubensicherung, blau	Verrou TLR, frein-filet, bleu	TLR Lok, frenafilet, blu
TLR77000	High-Pressure Black Grease, 8cc	Hochdruck-Schmierfett, schwarz, 8cc	Graisse noire haute pression, 8 cc	Grasso nero ad alta pressione, 8 cc

## RECOMMENDED PARTS | EMPFOHLENE TEILE | PIÈCES RECOMMANDÉES | PARTI CONSIGLIATE

#	DESCRIPTION	BESCHREIBUNG	DESCRIPTION	DESCRIZIONE
SPMX52S50H5	5000mAh 2S 7.4V Smart G2 50C; I	5000 mAh 2S 7,4V Smart G2 50C; I	5 000 mAh 2S 7,4 V Smart G2 50 C ; I	5000 mAh 2S 7,4 V Smart G2 50C; I
SPMXC2050	Smart S155 G2 AC 1x55W Charger	Smart S155 G2 1x55 W Wechselstrom-Ladegerät	Chargeur c.a. Smart S155 G2 1×55 W	Caricabatterie Smart S155 G2 AC 1x55 W
SPMXCA507	Adapter: IC3 Battery/IC5 Device	Adapter: IC3-Akku/IC5-Gerät	Adaptateur : Batterie IC3/ dispositif IC5	Adattatore: IC3 batteria/IC5 dispositivo

## OPTIONAL PARTS | OPTIONALE TEILE | PIÈCES FACULTATIVES | PARTI OPZIONALI

#	DESCRIPTION	BESCHREIBUNG	DESCRIPTION	DESCRIZIONE
DYN2834	Startup Tool Set: Metric	Startup-Werkzeugsatz: Metrisch	Jeu d'outils de démarrage : Métrique	Set attrezzi base: metrico
DYN2950	8-in 1 Hex Wrench Kit	8-in-1 Sechskantschlüsselsatz	Kit de clés hexagonales 8-en-1	Set chiavi esagonali 8-in-1
LOS-2295	Fender, Handguards & Handle Bars, Pink: PM-SM	Schutzbleche, Handschützer & Lenker, Pink: PM-SM	Garde-boue, protège-mains et poignées, roses : PM-SM	Parafango, paramani e manubri, rosa: PM-SM
LOS-2297	Fender, Handguards & Handle Bars, Orange: PM-SM	Schutzbleche, Handschützer und Lenker, Orange: PM-SM	Garde-boue, protège-mains et poignées, oranges : PM-SM	Parafango, paramani e manubri, arancione: PM-SM
LOS-2302	Pink Plastics w/Wraps: PM-MX/SM	Pinke Kunststoffe mit Bindern: PM-MX/SM	Plastiques roses avec emballages : PM-MX/SM	Plastica rosa con decalcomanie: PM-MX/SM
LOS-2305	Rear Wheel Set, Satin Chrome: PM-SM	Hinterradsatz, matt verchromt: PM-SM	Ensemble de roue arrière, chrome satiné : PM-SM	Set cerchio posteriore, satinato cromato: PM-SM
LOS-2306	Fender, Handguards & Handle Bars, Blue: PM-SM	Schutzbleche, Handschützer und Lenker, Blau: PM-SM	Garde-boue, protège-mains et poignées, bleus : PM-SM	Parafango, paramani e manubri, blu: PM-SM
LOS-2307	Fender, Handguards & Handle Bars, Red: PM-SM	Schutzbleche, Handschützer und Lenker, Rot: PM-SM	Garde-boue, protège-mains et poignées, rouges : PM-SM	Parafango, paramani e manubri, rosso: PM-SM
LOS-2308	Fender, Handguards & Handle Bars, Green: PM-SM	Schutzbleche, Handschützer und Lenker, Grün: PM-SM	Garde-boue, protège-mains et poignées, verts : PM-SM	Parafango, paramani e manubri, verde: PM-SM
LOS260000	Red Plastics w/Wraps: PM-MX	Rote Kunststoffe mit Bindern: PM-MX	Plastiques rouges avec emballages : PM-MX	Plastica rossa con involucri: PM-MX
LOS260001	Blue Plastics w/Wraps: PM-MX	Blaue Kunststoffe mit Bindern: PM-MX	Plastiques bleus avec emballages : PM-MX	Plastica blu con involucri: PM-MX
LOS260002	Green Plastics w/Wraps: PM-MX	Grüne Kunststoffe mit Bindern: PM-MX	Plastiques verts avec emballages : PM-MX	Plastica verde con involucri: PM-MX
LOS260003	Yellow Plastics w/Wraps: PM-MX	Gelbe Kunststoffe mit Bindern: PM-MX	Plastiques jaunes avec emballages : PM-MX	Plastica gialla con involucri: PM-MX
LOS260004	Orange Plastics w/Wraps: PM-MX	Orangefarbene Kunststoffe mit Bindern: PM-MX	Plastiques orange avec emballages : PM-MX	Plastica arancione con involucri: PM-MX
LOS260006	Black Plastics w/Wraps: PM-MX	Schwarzer Kunststoff mit Bindern: PM-MX	Plastiques noirs avec emballages : PM-MX	Plastica nera con involucri: PM-MX
LOS260007	Rider Figure, FXR: PM-MX	Fahrerfigur, FXR: PM-MX	Figurine de motard, FXR: PM-MX	Figura del pilota, FXR: PM-MX
LOS260008	Rider Jersey Set, FXR: PM-MX	Fahrer Jersey-Satz, FXR: PM-MX	Ensemble de maillots de motard, FXR: PM-MX	Set maglia pilota, FXR: PM-MX
LOS260009	Rider Jersey Set, ClubMX: PM-MX	Fahrer Jersey-Satz, ClubMX: PM-MX	Ensemble de maillots de motard, ClubMX: PM-MX	Set maglia pilota, ClubMX: PM-MX
LOS260010	Rider Jersey Set, Pro Circuit: PM-MX	Fahrer Jersey St ProCircuit: PM-M	Ensemble de maillots de motard, ProCircuit : PM-M	Maglia pilota St ProCircuit:PM-M
LOS260012	Rider Figure, ClubMX, FXR: PM-MX	Fahrerfigur, FXR Blau: PM-MX	Figurine de motard, bleu, FXR: PM-MX	Figura del pilota, Blu FXR: PM-MX
LOS260013	Rider Figure, Pro Circuit: PM-MX	Fahrerfigur, Pro Circuit: PM-MX	Figurine de motard, Pro Circuit : PM-MX	Figura del pilota, Circuito Pro: PM-MX
LOS263000	Front Fork Spring Set: PM-MX	Gabelfedersatz vorne: PM-MX	Ensemble de ressorts de fourche avant : PM-MX	Set molla forcella anteriore: PM-MX
LOS263001	Rear Shock Spring Set: PM-MX	Hintere Stoßdämpferfedern Satz: PM-MX	Ensemble de ressorts d'amortisseur arrière : PM-MX	Set molle amm. post.: PM-MX
LOS264002	Lean Bar Set w/Hardware: PM-MX	Schräglenkensatz mit Hardware: PM-MX	Ensemble de barres d'inclinaison avec quincaillerie : PM-MX	Set barra lean con bulloneria: PM-MX
LOS361000	Carbon Chassis Plate Set: PM-MX	Carbon Karosserieplatten-Satz: PM-MX	Ensemble de plaque de châssis en carbone : PM-MX	Set piastre telaio carbonio: PM-MX
LOS361001	Aluminum Foot Pegs, Silver: PM-MX	Aluminium-Fußrasten silber: PM-M	Repose-pieds en aluminium, argent : PM-M	Pedane in alluminio Argento: PM-M
LOS362001	Aluminum Hub Set, Machined, Blue: PM-MX	Alunaben-Satz, gefräst, blau: PM-MX	Ensemble de moyeux en aluminium, usiné, bleu : PM-MX	Set di mozzi in alluminio, Mach, blu: PM-MX
LOS362002	Aluminum Hub Set, Machined, Green: PM-MX	Alunaben-Satz, gefräst, grün: PM-M	Ensemble de moyeux en aluminium, usiné, vert : PM-M	Set di mozzi in alluminio, Mach, verde: PM-M



#	DESCRIPTION	BESCHREIBUNG	DESCRIPTION	DESCRIZIONE
LOS362003	Aluminum Hub Set, Machined, Orange: PM-MX	Alunaben-Satz, gefräst, orange: PM-M	Ensemble de moyeux en aluminium, usiné, orange : PM-M	Set di mozzi in alluminio, Mach, arancione: PM-M
LOS362004	Aluminum Hub Set, Machined, Gold: PM-MX	Alunaben-Satz, gefräst, gold: PM-MX	Ensemble de moyeux en aluminium, usiné, or : PM-MX	Set di mozzi in alluminio, Mach, oro: PM-MX
LOS362005	Aluminum Hub Set, Machined, Silver : PM-MX	Alunaben-Satz, gefräst, silber: PM-M	Ensemble de moyeux en aluminium, usiné, argent : PM-M	Set di mozzi in alluminio, Mach, argento: PM-M
LOS362007	Hub Chain Sprocket, Gold: PM-MX	Nabe Kettenrad, gold: PM-MX	Pignon de chaîne de moyeu, or : PM-MX	Pignone per catena mozzo, oro: PM-MX
LOS362009	Aluminum Chain Tension Adjuster Set: PM-MX	Alu-Kettenspanner: PM-M	Ajustement de la tension de la chaîne en aluminium : PM-M	Regolazione della tensione della catena in alluminio: PM-M
LOS362010	Steel Rear Brake Rotor: PM-MX	Stahl-Bremsscheibe hinten: PM-MX	Rotor de frein arrière en acier : PM-MX	Ruota freno posteriore acciaio: PM-MX
LOS362012	Aluminum Compound Gear: PM-MX	Alu-Verbundwerkstoff-Getriebe: PM-MX	Engrenage composé en aluminium : PM-MX	Ingranaggio in alluminio composto: PM-MX
LOS362013	Titanium Axle Set: PM-MX	Titan-Achssatz: PM-MX	Ensemble d'essieu en titane : PM-MX	Set di assi in titanio: PM-MX
LOS363000	Machined Shock Piston, 12 x 1.0mm (1): PM-MX	Gefräster Stoßdämpferkolben 12x1,0: PM-M	Piston d'amortisseurs usiné 12x1 : PM-M	Pistone ammortizzatore Mach 12x1.0 : PM-M
LOS363001	Shock Cap Set, Aluminum, Black: PM-MX	Stoßdämpferkappen Aluminium schwarz: PM-M	Capuchons d'amortisseurs en aluminium, noir : PM-M	Tappi degli ammortizzatori in alluminio nero: PM-M
LOS363002	Titanium Front Fork Lugs (2): PM-MX	Vordere Gabelschuhe Titan (2): PM-MX	Languettes de fourche avant en titane (2) : PM-MX	Capicorda della forcella anteriore in titanio (2): PM-MX
LOS364001	Aluminum Knuckle & Pull Rod, Silver: PM-MX	Alu Gelenk und Zugstange silber: PM-M	Rotule et tirette en aluminium, argent : PM-M	Nocca e tirante in alluminio arg: PM-M
LOS364002	Aluminum Triple Clamp Set, Red: PM-MX	Alu-Gabelbrücken rot: PM-MX	Bride triple en aluminium, rouge : PM-MX	Morsetti tripli in alluminio rosso: PM-MX
LOS364003	Aluminum Triple Clamp Set, Blue: PM-MX	Alu-Gabelbrücken blau: PM-MX	Bride triple en aluminium, bleu : PM-MX	Morsetti tripli in alluminio blu: PM-MX
LOS364004	Aluminum Triple Clamp Set, Orange: PM-MX	Alu-Gabelbrücken orange: PM-M	Bride triple en aluminium, orange : PM-M	Morsetti tripli in alluminio arancione: PM-M
LOS364005	Aluminum Triple Clamp Set, Gold: PM-MX	Alu-Gabelbrücken gold: PM-MX	Bride triple en aluminium, or : PM-MX	Morsetti tripli in alluminio oro: PM-MX
LOS364006	Aluminum Triple Clamp Set, Silver: PM-MX	Alu-Gabelbrücken silber: PM-M	Bride triple en aluminium, argent : PM-M	Morsetti tripli in alluminio argento: PM-M
LOS364007	Titanium Hinge Pin, 4 x 42mm: PM-MX	Titan-Scharnierstift 4x42 mm: PM-M	Axe de charnière en titane 4x42 mm : PM-M	Perno di cerniera in titanio 4x42 mm: PM-M
LOS364008	Aluminum Triple Clamp Set, Green: PM-MX	Alu-Gabelbrückensatz, grün: PM-MX	Ensemble de bride triple en aluminium, vert : PM-MX	Set di morsetti tripli in alluminio, verde: PM-MX
PRO1022310	1/4 Supermoto Tire Rear MTD Black Wheel: PM-MX	Supermoto-Hinterreifen montiert, schwarz: PM-MX	Pneu arrière rainuré monté noir Supermotor : PM-MX	Pneumatico Supermotor MTD post. Blk: PM-MX
PRO1024310	Hot Lap S3 Motorcycle Rear Tire Mounted on Black Supermoto Wheel for Promoto-MX Rear	Hot Lap S3 Motorrad-Hinterradreifen montiert auf schwarzem Supermoto-Rad für Promoto-MX hinten	Pneu arrière de moto Hot Lap S3 monté sur roue Supermoto noire pour Promoto-MX arrière	Ruota posteriore Hot Lap S3 su cerchio Supermoto nero per anteriore Promoto-MX
PRO1024410	Hot Lap S3 Motorcycle Front Tire Mounted on Black Supermoto Wheel for Promoto-MX Front	Hot Lap S3 Motorrad-Vorderradreifen montiert auf schwarzem Supermoto-Rad für Promoto-MX vorne	Pneu avant de moto Hot Lap S3 monté sur roue Supermoto noire pour Promoto-MX avant	Ruota posteriore Hot Lap S3 su cerchio Supermoto nero per posteriore Promoto-MX
SPM6420	iXSR Surface Transmitter with SR515 Receiver	iXSR-Oberflächensender mit SR515-Empfänger	Émetteur de surface iXSR avec récepteur SR515	Trasmittente di superficie iXSR con Ricevitore SR515
SPMR5025	DX5 Pro 2021 DSMR TX Only	DX5 Pro 2021 DSMR nur TX	DX5 Pro 2021 DSMR TX uniquement	Solo DX5 Pro 2021 DSMR TX
SPMX-1032	Smart Powerstage Surface Bundle: 5000mAh 2S 50C LiPo Battery (IC5) / 100W S100 Charger	Smart Oberflächen-Leistungsteilpaket: 5000 mAh 2S 50C LiPo Akku (IC5) / 100 W S100 Ladegerät	Ensemble de surface Smart Powerstage : Batterie Li-Po 5 000 mAh 2S 50C (IC5) / chargeur 100 W S100	Smart Powerstage Bundle superficie: Batteria 5000 mAh 2S 50C LiPo (IC5) / Caricabatterie 100 W S100
SPMX50002S50H5	5000mAh 2S 7.4V 50C Smart LiPo Hardcase; IC5	5000 mAh 2S 7,4 V 50C Smart LiPo Hartschale; IC5	Coffret Smart Li-Po 5 000 mAh 2S 7,4 V 50C ; IC5	5000 mAh 2S 7,4 V 50 C Smart LiPo Hardcase; IC5
SPMX52S100H5	5000mAh 2S 7.4V Smart G2 LiPo 100C; IC5	5000 mAh 2S 7,4 V Smart G2 100C, IC5	5 000 mAh 2S 7,4 V Smart G2 100 C IC5	5000mAh 2S 7.4V Smart G2 100C IC5
SPMXC2010	Smart S2200 G2 AC Charger, 2x200W	Smart S2200 G2 2x200 W Wechselstrom-Ladegerät	Chargeur c.a. Smart S2200 G2 2x200 W	Caricabatterie Smart S2200 G2 AC 2x200 W
SPMXC2050	S155 55W AC G2 Smart Charger	Smart S155 G2 1x55 W Wechselstrom-Ladegerät	Chargeur c.a. Smart S155 G2 1x55 W	Caricabatterie Smart S155 G2 AC 1x55 W
SPMXC2090	Smart S100 G2 USB-C Charger	S100 G2 USB-C Smart-Ladegerät	Chargeur Smart USB-C G2 S100	Caricabatterie Smart USB-C S100 G2
SPMXCA200	Avian and Firma Smart ESCs Programming Update Box	Avian Firma Smart ESC Programmierer	Programmeur variateur de vitesse électronique Smart Firma Avian	Programmer Smart ESC Avian Firma
SPMXCA300	Smart Lipo Bag, 16 x 7.5 x 6.5 cm	Smart Lipo Tasche, 16 x 7,5 x 6,5 cm	Pochette Li-Po Smart, 16 x 7,5 x 6,5 cm	Borsa Smart LiPo, 16 x 7,5 x 6,5 cm

#	DESCRIPTION	BESCHREIBUNG	DESCRIPTION	DESCRIZIONE
TLR243024	X-Ring Seals (8), Lower Cap Seals (4): All 8IGHT	X-Ring 8 Stoßdämpferendkappen unten 4: alle 8	Joint X-Ring (8) Joints de couvercle inférieur (4) : All8	Guarnizioni X-Ring 8 tappo inf. 4: All8
TLR74008	SILICONE SHOCK OIL, 35WT, 420CST, 2OZ	SIL Stoßdämpferöl, 35 WT, 420 CST, 2 OZ	Huile silicone pour amortisseur, 35 WT, 420CST, 59,15 ml (2 oz)	SIL Olio per ammortizzatori, 35WT, 420CST, 2OZ
TLR74010	SILICONE SHOCK OIL, 40WT, 516CST, 2OZ	SIL Stoßdämpferöl, 40 WT, 516 CST, 2 OZ	Huile silicone pour amortisseur, 40 WT, 516CST, 59,15 ml (2 oz)	SIL Olio per ammortizzatori, 40WT, 516CST, 2OZ
TLR74012	SILICONE SHOCK OIL, 45WT, 610CST, 2OZ	SIL Stoßdämpferöl, 45 WT, 610 CST, 2 OZ	Huile silicone pour amortisseur, 45 WT, 610CST, 59,15 ml (2 oz)	SIL Olio per ammortizzatori, 45WT, 610CST, 2OZ
TLR74013	SILICONE SHOCK OIL, 50WT, 710CST, 2OZ	STOSSDÄMPFER-SILIKONÖL, 50 WT, 710 CST, 2 OZ	HUILE SILICONE POUR AMORTISSEUR, 50 WT, 710 CST, 59,15 ml (2 oz)	OLIO SIL AMM,50WT,710CST,2OZ
TLR74014	SILICONE SHOCK OIL, 60WT, 810CST, 2OZ	SIL Stoßdämpferöl, 60 WT, 810 CST, 2 OZ	Huile silicone pour amortisseur, 60 WT, 810CST, 59,15 ml (2 oz)	SIL Olio per ammortizzatori, 60WT, 810CST, 2OZ
TLR74032	SILICONE SHOCK OIL, 55WT, 760CST, 2OZ	SIL Stoßdämpferöl, 55 WT, 760 CST, 2 OZ	Huile silicone pour amortisseur, 55 WT, 760CST, 59,15 ml (2 oz)	SIL Olio per ammortizzatori, 55WT, 760CST, 2OZ
TLR76007	Tire Glue, 1oz, STANDARD	Reifenklebemittel, 28 g (1 oz), STANDARD	Colle de pneu, 28 g, STANDARD	Colla pneumatici, 28,5 g, STD

