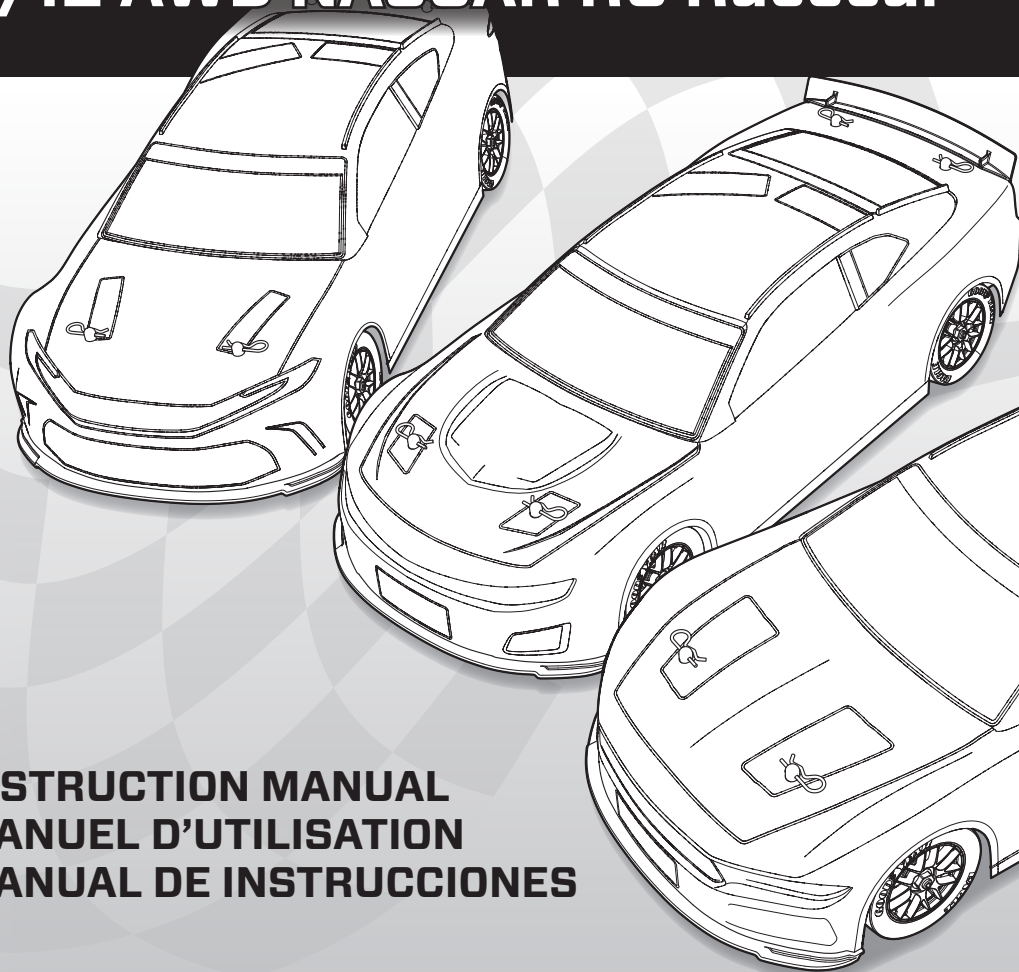


1/12 AWD NASCAR RC Racecar



**INSTRUCTION MANUAL
MANUEL D'UTILISATION
MANUAL DE INSTRUCCIONES**

NOTICE

All instructions, warranties and other collateral documents are subject to change at the sole discretion of Horizon Hobby, LLC. For up-to-date product literature, visit horizonhobby.com and click on the support tab for this product.


MEANING OF SPECIAL LANGUAGE


The following terms are used throughout the product literature to indicate various levels of potential harm when operating this product:

WARNING: Procedures, which if not properly followed, create the probability of property damage, collateral damage, and serious injury OR create a high probability of superficial injury.

CAUTION: Procedures, which if not properly followed, create the probability of physical property damage AND a possibility of serious injury.

NOTICE: Procedures, which if not properly followed, create a possibility of physical property damage AND a little or no possibility of injury.

 **WARNING:** Read the ENTIRE instruction manual to become familiar with the features of the product before operating. Failure to operate the product correctly can result in damage to the product, personal property and cause serious injury. This is a sophisticated hobby product. It must be operated with caution and common sense and requires some basic mechanical ability. Failure to operate this Product in a safe and responsible manner could result in injury or damage to the product or other property. This product is not intended for use by children without direct adult supervision. Do not use with incompatible components or alter this product in any way outside of the instructions provided by Horizon Hobby, LLC. This manual contains instructions for safety, operation and maintenance. It is essential to read and follow all the instructions and warnings in the manual, prior to assembly, setup or use, in order to operate correctly and avoid damage or serious injury.

 **WARNING AGAINST COUNTERFEIT PRODUCTS:** Always purchase from a Horizon Hobby authorized dealer to ensure authentic high-quality Spektrum product. Horizon Hobby, LLC disclaims all support and warranty with regards, but not limited to, compatibility and performance of counterfeit products or products claiming compatibility with DSM or Spektrum technology.

Age Recommendation: Not for children under 14 years. This is not a toy.

SAFETY PRECAUTIONS AND WARNINGS

- Always keep a safe distance in all directions around your model to avoid collisions or injury. This model is controlled by a radio signal subject to interference from many sources outside your control. Interference can cause momentary loss of control.
- Always operate your model in open spaces away from full-size vehicles, traffic and people.
- Always carefully follow the directions and warnings for this and any optional support equipment (chargers, rechargeable battery packs, etc.).
- Always keep all chemicals, small parts and anything electrical out of the reach of children.
- Always avoid water exposure to all equipment not specifically designed and protected for this purpose. Moisture causes damage to electronics.
- Never place any portion of the model in your mouth as it could cause serious injury or even death.
- Never operate your model with low transmitter batteries.

REGISTER YOUR LOSI PRODUCT ONLINE

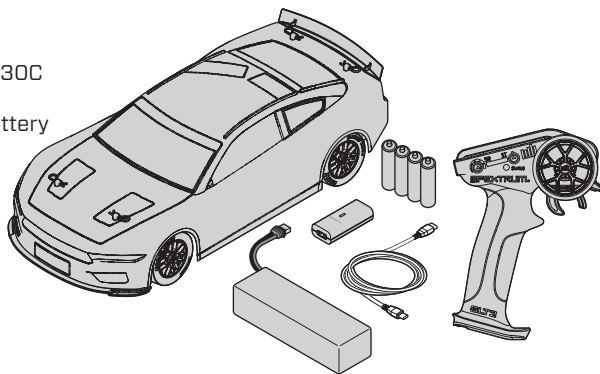
Register your vehicle now and be the first to find out about the latest option parts, product updates and more. Click on the Support tab at www.losi.com and follow the product registration link to stay connected.

TABLE OF CONTENTS

Box Contents	3	Driving Precautions	11
Water-resistant Vehicle with Waterproof Electronics	3	Vehicle Maintenance	11
Getting Started	5	Tire Rotation	12
General Charging Warnings	6	Troubleshooting	12
Operating the Charger	7	Limited Warranty	14
Install the transmitter batteries	7	Warranty and Service Contact Information	15
Transmitter functions	8	FCC Information	16
Install the Vehicle Battery	9	IC Information	16
Control Test	10	Replacement Parts List	17
Range Check	10	Optional Parts List	18
Operating the Vehicle	10	Exploded Views	52

BOX CONTENTS

- LOSI 1/12 AWD NASCAR RC Racecar
- Spektrum™ SLT2 2.4GHz Transmitter
- Spektrum 1400 mAh 2S 7.4V Smart G2 30C LiPo Battery with IC2 Connector
- Spektrum S10 Smart G2 USB-C LiPo Battery Charger
- USB-C Charging Adapter
- 4 AA Alkaline Batteries



WATER-RESISTANT VEHICLE WITH WATERPROOF ELECTRONICS

Your new Horizon Hobby vehicle has been designed and built with a combination of waterproof and water-resistant components to allow you to operate the product in many “wet conditions,” including puddles, creeks, wet grass, snow and even rain.

While the entire vehicle is highly water-resistant, it is not completely waterproof and your vehicle should NOT be treated like a submarine. The various electronic components used in the vehicle, such as the Electronic Speed Control (ESC), servo(s) and receiver are waterproof, however, most of the mechanical components are water-resistant and should not be submerged. Metal parts, including the bearings, hinge pins, screws and nuts, as well as the contacts in the electrical cables, will be susceptible to corrosion if additional maintenance is not performed after running in wet conditions. To maximize the long-term performance of your vehicle and to keep the warranty intact, the procedures described in

the “Wet Conditions Maintenance” section below must be performed regularly if you choose to run in wet conditions. If you are not willing to perform the additional care and maintenance required, then you should not operate the vehicle in those conditions.

⚠ CAUTION: Failure to exercise caution while using this product and complying with the following precautions could result in product malfunction and/or void the warranty.

GENERAL PRECAUTIONS

- Read through the wet conditions maintenance procedures and make sure that you have all the tools you will need to properly maintain your vehicle.
- Not all batteries can be used in wet conditions. Consult the battery manufacturer before use. Caution should be taken when using Li-Po batteries in wet conditions.

- Most transmitters are not water-resistant. Consult your transmitter's manual or the manufacturer before operation.
- Never operate your transmitter or vehicle where lightning may be present.
- Do not operate your vehicle where it could come in contact with salt water (ocean water or water on salt-covered roads), contaminated or polluted water. Salt water is very conductive and highly corrosive, so use caution.
- Even minimal water contact can reduce the life of your motor if it has not been certified as water-resistant or waterproof. If the motor becomes excessively wet, apply very light throttle until the water is mostly removed from the motor. Running a wet motor at high speeds may rapidly damage the motor.
- Driving in wet conditions can reduce the life of the motor. The additional resistance of operating in water causes excess strain. Alter the gear ratio by using a smaller pinion or larger spur gear. This will increase torque (and motor life) when running in mud, deeper puddles, or any wet conditions that will increase the load on the motor for an extended period of time.

WET CONDITIONS MAINTENANCE

- Drain any water that has collected in the tires by spinning them at high speed. With the body removed, place the vehicle upside down and pull full throttle for a few short bursts until the water has been removed.

- Remove the battery pack(s) and dry the contacts. If you have an air compressor or a can of compressed air, blow out any water that may be inside the recessed connector housing.
- Remove the tires/wheels from the vehicle and gently rinse the mud and dirt off with a garden hose. Avoid rinsing the bearings and transmission.

NOTICE: Never use a pressure washer to clean your vehicle.

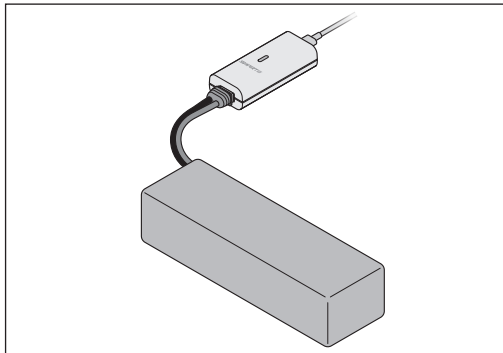
- Use an air compressor or a can of compressed air to dry the vehicle and help remove any water that may have gotten into small crevices or corners.
- Spray the bearings, drive train, fasteners and other metal parts with a water-displacing light oil. Do not spray the motor.
- Let the vehicle air dry before you store it. Water (and oil) may continue to drip for a few hours.
- Increase the frequency of disassembly, inspection and lubrication of the following:
 - Front and rear axle hub assembly bearings.
 - All transmission cases, gears and differentials.
 - Motor—clean with an aerosol motor cleaner and re-oil the bushings with lightweight motor oil.



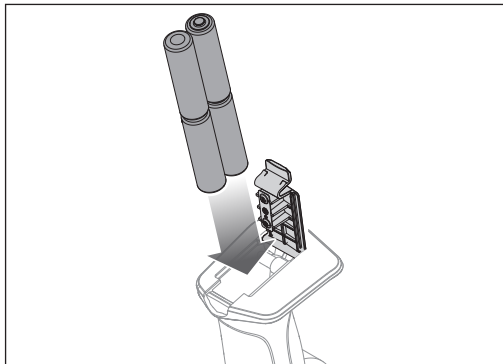
CAUTION: Always keep hands, fingers, tools and any loose or hanging objects away from rotating parts when performing the above drying technique.

GETTING STARTED

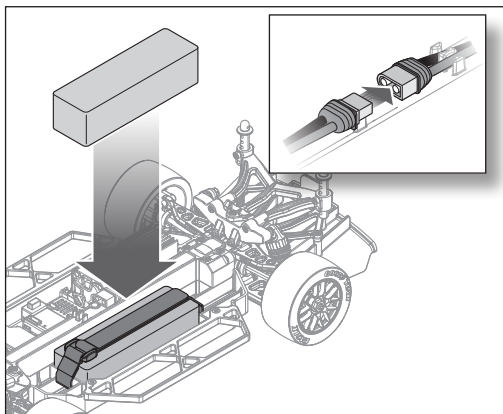
1. CHARGE THE VEHICLE BATTERY



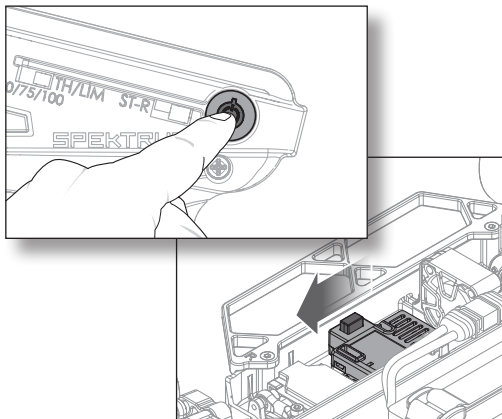
2. INSTALL THE TRANSMITTER BATTERIES



3. INSTALL THE VEHICLE BATTERY

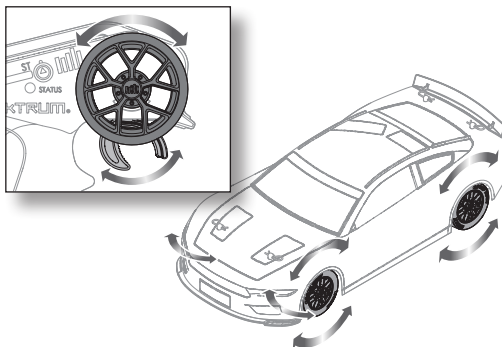


4. POWER ON

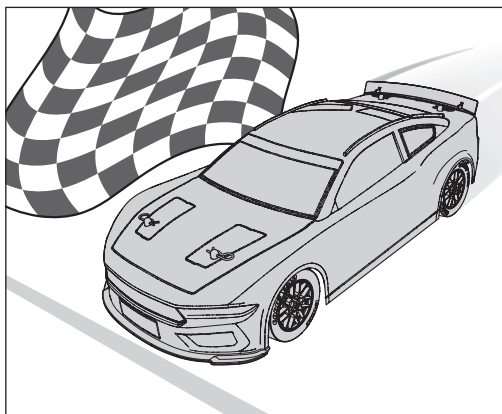


NOTICE: ALWAYS power on the transmitter before you power on the vehicle.

5. CHECK THE CONTROLS



6. HAVE FUN!



GENERAL CHARGING WARNINGS

⚠ WARNING: Failure to exercise caution while using this product and comply with the following warnings could result in product malfunction, electrical issues, excessive heat, FIRE, and ultimately injury and property damage.

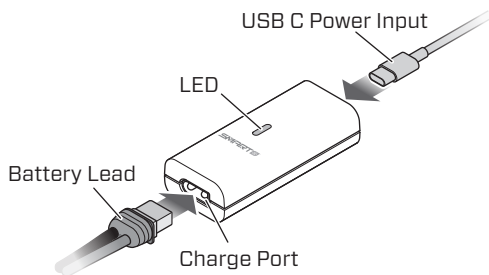
- **NEVER LEAVE CHARGING BATTERIES UNATTENDED DURING USE.**
- **NEVER CHARGE BATTERIES OVERNIGHT.**
- The power supply must deliver power at Safety Extra Low Voltage (SELV).
- Never attempt to charge dead, damaged or wet battery packs.
- Never attempt to charge a battery pack containing different types of batteries.
- Never allow children under 14 years of age to charge battery packs.
- Never charge batteries in extremely hot or cold places or place in direct sunlight.
- Never charge a battery if the cable has been pinched or shorted.
- Never connect the charger if the power cable has been pinched or shorted.
- Never connect the charger to an automobile 12V battery while the vehicle is running.
- Never attempt to dismantle the charger or use a damaged charger.
- Never attach your charger to both an AC and a DC power source at the same time.
- Never connect the input jack (DC input) to AC power.
- Always use only rechargeable batteries designed for use with this type of charger in the correct programming mode.
- Always inspect the battery before charging.
- Always keep the battery away from any material that could be affected by heat.

- Always monitor the charging area and have a fire extinguisher available at all times. Always end the charging process if the battery becomes hot to the touch or starts to change form (swell) during the charge process.
- Always connect the charge cable to the charger first, then connect the battery to avoid short circuit between the charge leads. Reverse the sequence when disconnecting.
- Always connect the positive red leads (+) and negative black leads (-) correctly.
- Always disconnect the battery after charging, and let the charger cool between charges.
- Always charge in a well-ventilated area.
- Always terminate all processes and contact Horizon Hobby if the product malfunctions.
- Charge only rechargeable batteries. Charging non-rechargeable batteries may cause the batteries to burst, resulting in injury to persons and/or damage to property.
- The socket-outlet shall be installed near the equipment and shall be easily accessible.

⚠ WARNING: Never leave charger unattended, exceed maximum charge rate, charge with non-approved batteries or charge batteries in the wrong mode. Failure to comply may result in excessive heat, fire and serious injury.

⚠ CAUTION: Always ensure the battery you are charging meets the specifications of this charger and that the charger settings are correct. Not doing so can result in excessive heat and other related product malfunctions, which can lead to user injury or property damage. Please contact Horizon Hobby or an authorized retailer with compatibility questions.

OPERATING THE CHARGER



1. Plug the USB-C connector into the charger power port and an appropriate 5V, 3.0A max power supply (not included). The LED on the charger will flash red / green to indicate the charger is ready.
2. Plug the vehicle battery lead into the charge port.
 - The LED flashes green while charging.
 - The LED glows solid green to indicate charging is complete.
3. Disconnect the battery from the charger.

STOPPING THE CHARGING CYCLE

WARNING: Always stop the charging cycle or remove power supplied to the charger if you notice any irregularities (like a swollen battery) during charging.

To stop the charging cycle, disconnect the battery from the charger.

CHARGER SPECIFICATIONS

S10	
Output Port Connector	IC2
Power Supply Input Voltage (not included)	DC 5.0V (3.0A Max)
Charge Current	1-8.4V (1.5A Max)
Supported Battery Type	Smart G2 LiPo 2S
Related Battery Capacity (Max.)	500-5300mAh
Display	LED
Operating Temperature	0-40°C (32-104°F)
Storage Temperature	-20-60°C (-4-140°F)
Length	44mm
Width	24mm
Height	14.5mm
Weight	25g

Charger LED Indicator

Solid Red*	Charging error; ensure battery is healthy and properly connected to the charger
Green Flashing	Charging in progress
Solid Green	Charging complete
Red/Green Flashing	Charger is ready to charge

*A solid red LED indicates a charging error. Make the necessary changes, and restart the charger to clear the error.

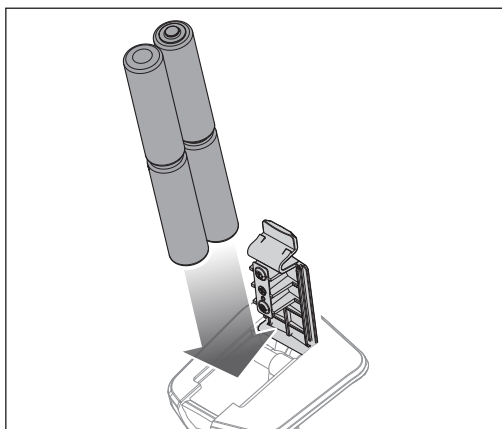
INSTALL THE TRANSMITTER BATTERIES

This transmitter requires 4 AA batteries.

1. Open the battery cover on the bottom of the transmitter.
2. Install the included AA batteries as shown, noting the proper polarity.
3. Fully close the battery cover.

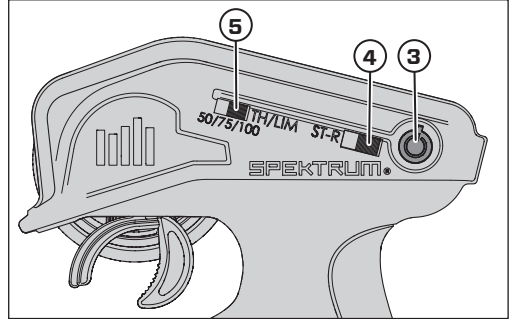
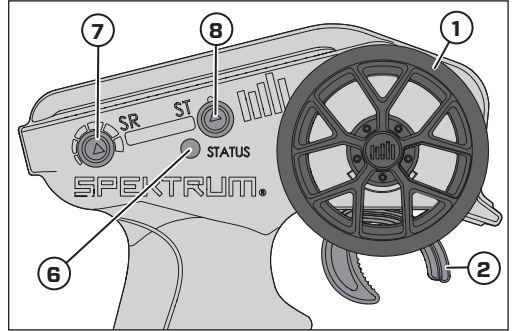
CAUTION: NEVER remove the transmitter batteries while the model is powered on. Loss of model control, damage, or injury may occur.

CAUTION: Risk of explosion if battery is replaced by an incorrect type. Dispose of used batteries according to national regulations.



TRANSMITTER FUNCTIONS

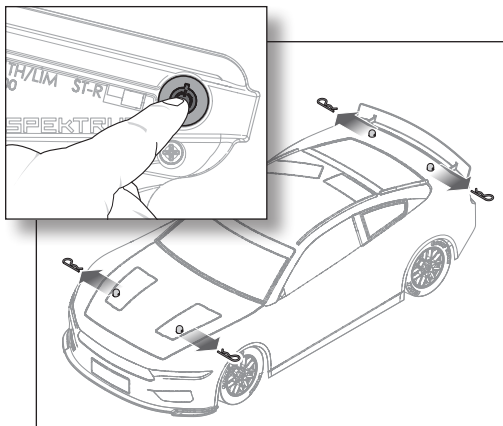
1. **Steering Wheel** Controls direction (left/right) of the model
2. **Throttle Trigger** Controls speed and direction (forward/brake/reverse) of the model
3. **Power Button** Turns the power on/off
4. **Steering (ST-R) Servo Reversing** Reverses the steering channel
5. **Throttle Limit** Limits throttle output to 50/75/100%
Select 50% or 75% for less experienced drivers or when you are driving the vehicle in a small area
6. **Indicator Lights**
Solid red light—Indicates radio connectivity and adequate battery power
Flashing red light—Indicates the battery voltage is critically low. Replace the batteries
7. **Steering Rate** Adjusts the steering end points
8. **Steering Trim** Adjusts the steering center point



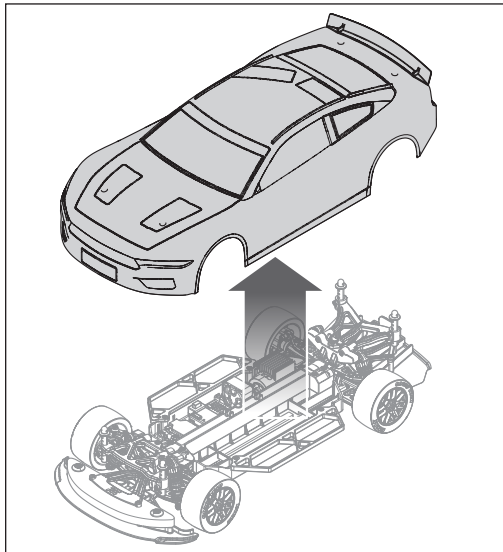
INSTALL THE VEHICLE BATTERY

NOTICE: ALWAYS power on the transmitter before you power on the vehicle.

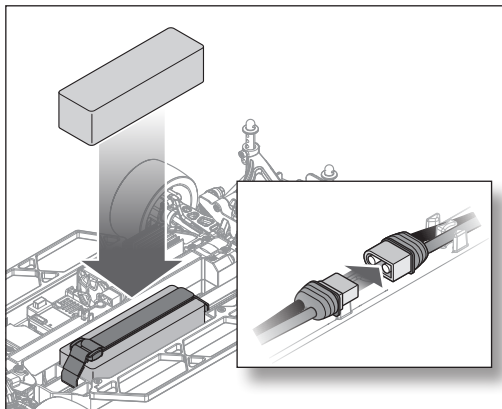
1. Power on the transmitter.
2. Remove the four body mount pins.



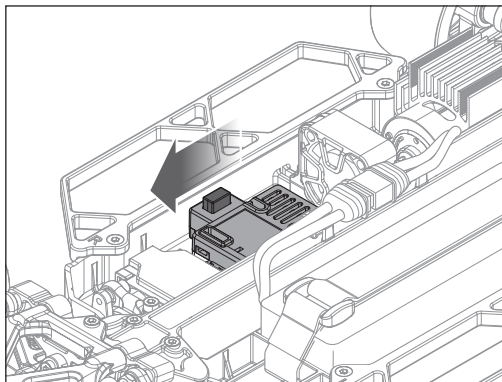
3. Lift the body off the chassis.



4. Install the battery in the tray on the chassis.
5. Secure the battery with the hook and loop strap.
6. Connect the battery lead to the vehicle power lead. The IC2 connectors will only fit together one way. Do not force the connectors together.



7. Power on the receiver/speed control.
8. Re-install the body and body pins on the chassis.

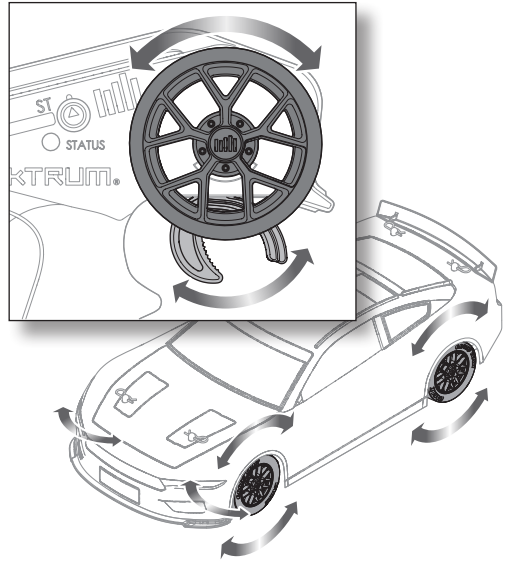


CONTROL TEST

With the vehicle wheels off the ground, test the throttle and steering controls. Ensure the wheels spin in the proper direction and the front wheels turn in the proper direction with steering input.

After checking for proper direction of controls, place the vehicle on a smooth surface and start driving slowly. If the vehicle veers to either side without steering input, adjust the steering trim dial on the transmitter until the vehicle holds a straight line with no steering input.

Have FUN driving your vehicle!



RANGE CHECK

The radio system should be checked before operating the vehicle to ensure proper operation and adequate range.

1. Turn on the transmitter.
2. Install the battery in the vehicle.
3. Have a friend hold the vehicle while keeping hands and loose clothing away from moving parts.
4. Walk away until you are at the maximum planned operating distance from the vehicle.
5. Turn the steering wheel side to side and operate the throttle, both forward and reverse, checking for any erratic behavior.
6. If any erratic behavior is exhibited, DO NOT operate the vehicle. Check the troubleshooting guide. If problem persists, call customer service for assistance.

OPERATING THE VEHICLE

- ALWAYS power on your transmitter before you power on the receiver in the vehicle.
 - ALWAYS power off the receiver before powering off the transmitter.
 - ALWAYS operate your vehicle in a wide open area. Operating the vehicle in a small space or indoors can cause overheating at low speeds. Operating at low speed increases heat in the electronic speed control (ESC). Overheating can damage the vehicle and failure may result.
1. Center the ST TRIM dial on the transmitter.
 2. Power on the transmitter.
 3. Open the body as described in the Installing the Vehicle Battery section.
 4. Install and connect a fully charged battery pack to the ESC.
 5. Power on the ESC.
 6. Close and latch the body.
 7. Perform a test of the transmitter's control of the vehicle with the vehicle's wheels off the ground.
 8. Start driving slowly. If the vehicle does not go straight, adjust the ST trim dial on the transmitter right or left to correct the vehicle path.

DRIVING PRECAUTIONS

- Maintain sight of the vehicle at all times.
- Inspect the vehicle for loose wheel hardware.
- Inspect the steering assembly for any loose hardware.
- Do not drive the vehicle in tall grass. Doing so can damage the vehicle or electronics.
- Stop driving the vehicle when you notice a lack of power. Driving the vehicle when the battery is discharged can cause the receiver to power off, causing loss of control.
- Do not apply the throttle in forward or reverse if the vehicle is stuck. Applying throttle in this instance can damage the motor or ESC.
- After driving the vehicle, allow the electronics to cool to ambient temperature before using the next battery pack.

NOTICE: ALWAYS power off the vehicle before you power off the transmitter.

VEHICLE MAINTENANCE

⚠ CAUTION: Power off the vehicle, and remove the battery from the chassis prior to doing any maintenance on your vehicle.

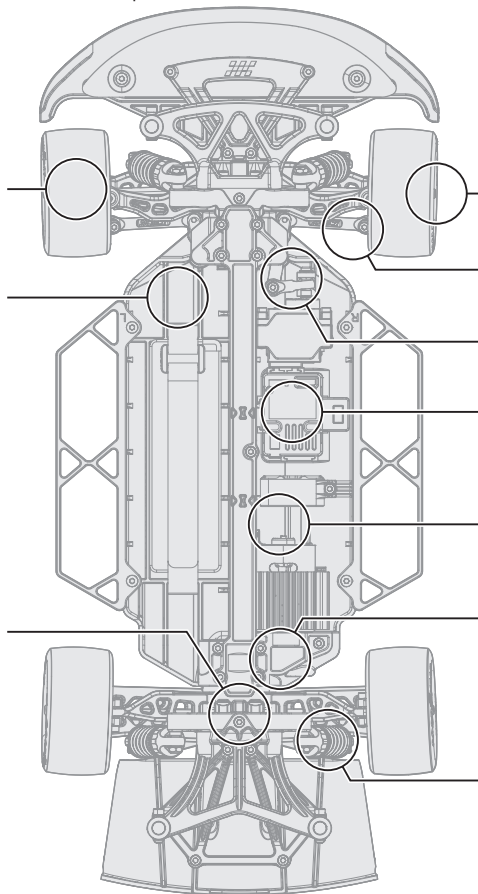
After every run, do a visual inspection of the vehicle, including the following:

- Check for loose screws on the chassis
- Replace any noticeably bent or broken parts

- Check the tires for excessive wear. Rotate the tires as necessary to prolong the life of the tires

- Clear the chassis of dirt and debris

- Check the driveline for smooth, bind free operation



- Check the wheel nuts for tightness

- Check for wear on the ball joints in the steering and suspension links

- Check the steering operation for any binding

- Check the receiver antenna for damage

- Check for any loose connections or frayed wiring

- Inspect the spur and pinion gears for damage

- Inspect the shock absorbers for smooth dampened operation

TIRE ROTATION

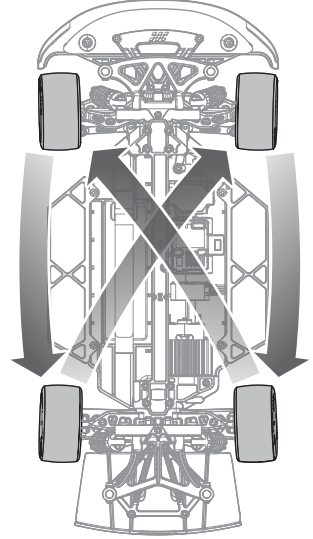
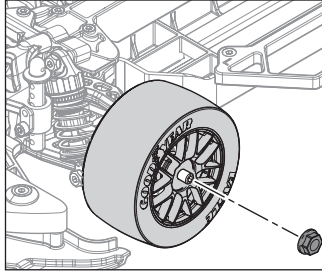
To improve the handling and extend the lifespan of the tires, the tires should be rotated approximately every 4 battery runs, particularly if you are racing on a paved oval for extended periods.

To rotate the tires:

1. Using a 7mm hex driver, remove the wheel nut.
2. Pull the wheel from the axle.
3. Re-position the wheel on the chassis, as shown in the illustration. Move the front wheels to the back, and the back wheels to the opposite side of the front.

IMPORTANT: When installing the wheels, ensure the hex on the inside of the wheel lines up with the hex on the axle, and the wheel is fully seated on the axle.

4. Replace the wheel nut on the axle. Do not overtighten the wheel nut.



TROUBLESHOOTING

Problem	Possible Cause	Solution
The system will not connect	Your transmitter and receiver are too close together	Move transmitter 8 to 12 feet away from receiver
	You are near metal objects	Move to an area with less metal
	The receiver is bound to a different transmitter	Rebind the transmitter and receiver
	The receiver was placed into bind mode and is no longer bound to the transmitter	Rebind the transmitter and receiver, and then re-calibrate
The receiver goes into failsafe a short distance away from the transmitter	Check for damage on the receiver antenna	Make sure your receiver antenna is protected and located as high as practical
		Replace the receiver or contact Horizon Product Support
The receiver stops responding during operation	Low receiver battery voltage. If the battery voltage is low, it may drop below 3.5V momentarily, causing the receiver to brown-out, then reconnect	Charge the receiver or vehicle battery. Spektrum receivers require at least 3.5V to operate
	Loose or damaged wires or connectors between battery and receiver	Check the wires and connection between the battery and receiver. Repair or replace wires and/or connectors

Problem	Possible Cause	Solution
Vehicle does not move	Batteries are not installed properly in the transmitter	Ensure the transmitter batteries are properly installed
	Weak or no battery in the vehicle	Install a freshly charged vehicle battery
	Damaged motor	Replace the motor
	Frayed or broken wiring	Replace any damaged wiring
	ESC is shut down by heat protection circuit	Allow the ESC to cool down completely
Loss of vehicle control	Improper antenna placement	Ensure the transmitter antenna is not blocked and the receiver antenna is located properly
	Weak or no batteries in the transmitter or vehicle	Install a freshly charged vehicle battery and new transmitter batteries
	Neutral or trim position is incorrect	Adjust the steering trim
	Receiver and/or battery not connected properly	Check all receiver and battery connections
Steering and/or throttle function is reversed	Servo travel is reversed at the transmitter	Set the transmitter servo reversing switch to the correct position
	Motor wires are not connected properly	Check all motor wires for correct polarity and secure connection
ESC ON - No motor function, audible tone or LED	Battery/connection issue	Recharge/replace battery. Secure all connections
	Damaged ESC	Repair/replace ESC
	Damaged motor	Repair/replace
Motor- Stops and LED blinks	Low voltage protection	When the ESC LED blinks, recharge/replace battery
	Overheat protection	When the LED blinks, let motor/ESC cool, change set up or gearing to avoid overheating
Motor- Accelerates irregularly	Battery issue	Repair damaged wiring/replace battery
	Incorrect gearing	Adjust/replace gearing
	Worn or damaged motor	Repair/replace motor
Motor- Does not turn continuously in response to throttle	Binding in the drive train	Check the drive shafts and gears for any foreign objects and remove debris.
	ESC/motor damaged	Repair/replace wiring or motor/ESC
Steering servo- Operates; motor does not run	Damaged motor	Test the motor apart from the vehicle system, repair/replace motor as needed
	Low battery voltage cutoff	Replace battery in the vehicle with fully charged battery.

Problem	Possible Cause	Solution
Steering/motor- not functioning	Low battery voltage	Recharge/replace
	Transmitter not powered on	Check the power button and indicator light is illuminated. Check for correct polarity of the transmitter batteries.
	Receiver not bound to transmitter	Bind transmitter to receiver, refer to transmitter and/or receiver manual
Vehicle- Does not operate at full speed	Weak vehicle battery	Check the charge level of battery. Replace the vehicle battery if it is no longer performing as expected.
	Incorrect transmitter setting	Check transmitter setting is set to 100%
	Motor brushes are worn	Replace the motor

LIMITED WARRANTY

What this Warranty Covers

Horizon Hobby, LLC, (Horizon) warrants to the original purchaser that the product purchased (the "Product") will be free from defects in materials and workmanship for a period of 2 years from the date of purchase.

What is Not Covered

This warranty is not transferable and does not cover (i) cosmetic damage, (ii) damage due to acts of God, accident, misuse, abuse, negligence, commercial use, or due to improper use, installation, operation or maintenance, (iii) modification of or to any part of the Product, (iv) attempted service by anyone other than a Horizon Hobby authorized service center, (v) Product not purchased from an authorized Horizon dealer, or (vi) Product not compliant with applicable technical regulations or (vii) use that violates any applicable laws, rules, or regulations.

OTHER THAN THE EXPRESS WARRANTY ABOVE, HORIZON MAKES NO OTHER WARRANTY OR REPRESENTATION, AND HEREBY DISCLAIMS ANY AND ALL IMPLIED WARRANTIES, INCLUDING, WITHOUT LIMITATION, THE IMPLIED WARRANTIES OF NON-INFRINGEMENT, MERCHANTABILITY AND FITNESS FOR A PARTICULAR PURPOSE. THE PURCHASER ACKNOWLEDGES THAT THEY ALONE HAVE DETERMINED THAT THE PRODUCT WILL SUITABLY MEET THE REQUIREMENTS OF THE PURCHASER'S INTENDED USE.

Purchaser's Remedy

Horizon's sole obligation and purchaser's sole and exclusive remedy shall be that Horizon will, at its option, either (i) service, or (ii) replace, any Product determined by Horizon to be defective. Horizon reserves the right to inspect any and all Product(s) involved in a warranty claim. Service or replacement decisions are at the sole discretion of Horizon. Proof of purchase is required for all warranty claims. SERVICE OR REPLACEMENT AS PROVIDED UNDER THIS WARRANTY IS THE PUR-

CHASER'S SOLE AND EXCLUSIVE REMEDY.

Limitation of Liability

HORIZON SHALL NOT BE LIABLE FOR SPECIAL, INDIRECT, INCIDENTAL OR CONSEQUENTIAL DAMAGES, LOSS OF PROFITS OR PRODUCTION OR COMMERCIAL LOSS IN ANY WAY, REGARDLESS OF WHETHER SUCH CLAIM IS BASED IN CONTRACT, WARRANTY, TORT, NEGLIGENCE, STRICT LIABILITY OR ANY OTHER THEORY OF LIABILITY, EVEN IF HORIZON HAS BEEN ADVISED OF THE POSSIBILITY OF SUCH DAMAGES. Further, in no event shall the liability of Horizon exceed the individual price of the Product on which liability is asserted. As Horizon has no control over use, setup, final assembly, modification or misuse, no liability shall be assumed nor accepted for any resulting damage or injury. By the act of use, setup or assembly, the user accepts all resulting liability. If you as the purchaser or user are not prepared to accept the liability associated with the use of the Product, purchaser is advised to return the Product immediately in new and unused condition to the place of purchase.

Law

These terms are governed by Illinois law (without regard to conflict of law principals). This warranty gives you specific legal rights, and you may also have other rights which vary from state to state. Horizon reserves the right to change or modify this warranty at any time without notice.

WARRANTY SERVICES

Questions, Assistance, and Services

Your local hobby store and/or place of purchase cannot provide warranty support or service. Once assembly, setup or use of the Product has been started, you must contact your local distributor or Horizon directly. This will enable Horizon to better answer your questions and service you in the event that you may need any assistance. For questions or assistance, please visit our website at www.horizonhobby.com,

submit a Product Support Inquiry, or call the toll free telephone number referenced in the Warranty and Service Contact Information section to speak with a Product Support representative.

Inspection or Services

If this Product needs to be inspected or serviced and is compliant in the country you live and use the Product in, please use the Horizon Online Service Request submission process found on our website or call Horizon to obtain a Return Merchandise Authorization (RMA) number. Pack the Product securely using a shipping carton. Please note that original boxes may be included, but are not designed to withstand the rigors of shipping without additional protection. Ship via a carrier that provides tracking and insurance for lost or damaged parcels, as Horizon is not responsible for merchandise until it arrives and is accepted at our facility. An Online Service Request is available at http://www.horizonhobby.com/content/service-center_render-service-center. If you do not have internet access, please contact Horizon Product Support to obtain a RMA number along with instructions for submitting your product for service. When calling Horizon, you will be asked to provide your complete name, street address, email address and phone number where you can be reached during business hours. When sending product into Horizon, please include your RMA number, a list of the included items, and a brief summary of the problem. A copy of your original sales receipt must be included for warranty consideration. Be sure your name, address, and RMA number are clearly written on the outside of the shipping carton.

NOTICE: Do not ship Li-Po batteries to Horizon. If you have any issue with a Li-Po battery, please contact the appropriate Horizon Product Support office.

Warranty Requirements

For Warranty consideration, you must include your original sales receipt verifying the proof-of-purchase date. Provided warranty conditions have been met, your Product will be serviced or replaced free of charge. Service or replacement decisions are at the sole discretion of Horizon.

Non-Warranty Service

Should your service not be covered by warranty, service will be completed and payment will be required without notification or estimate of the expense unless the expense exceeds 50% of the retail purchase cost. By submitting the item for service you are agreeing to payment of the service without notification. Service estimates are available upon request. You must include this request with your item submitted for service. Non-warranty service estimates will be billed a minimum of 1/2 hour of labor. In addition you will be billed for return freight. Horizon accepts money orders and cashier's checks, as well as Visa, MasterCard, American Express, and Discover cards. By submitting any item to Horizon for service, you are agreeing to Horizon's Terms and Conditions found on our website http://www.horizonhobby.com/content/service-center_render-service-center.

ATTENTION: Horizon service is limited to Product compliant in the country of use and ownership. If received, a non-compliant Product will not be serviced. Further, the sender will be responsible for arranging return shipment of the un-serviced Product, through a carrier of the sender's choice and at the sender's expense. Horizon will hold non-compliant Product for a period of 60 days from notification, after which it will be discarded.

10/15


WARRANTY AND SERVICE CONTACT INFORMATION

Country of Purchase	Horizon Hobby	Contact Information	Address
United States of America	Horizon Service Center (Repairs and Repair Requests)	servicecenter.horizonhobby.com/RequestForm/	2904 Research Rd Champaign, IL 61822
	Horizon Product Support (Product Technical Assistance)	productsupport@horizonhobby.com 877-504-0233	
	Sales	websales@horizonhobby.com 800-338-4639	



FCC INFORMATION

FCC ID: BRWSPMSLT200F SUPPLIER'S DECLARATION OF CONFORMITY LOSI 1/12 AWD LOSI NASCAR RC Racecar (LOSI1224--)

 This device complies with part 15 of the FCC Rules. Operation is subject to the following two conditions: (1) This device may not cause harmful interference, and (2) this device must accept any interference received, including interference that may cause undesired operation.



CAUTION: Changes or modifications not expressly approved by the party responsible for compliance could void the user's authority to operate the equipment.

NOTE: This equipment has been tested and found to comply with the limits for a Class B digital device, pursuant to part 15 of the FCC Rules. These limits are designed to provide reasonable protection against harmful interference in a residential installation. This equipment generates, uses and can radiate radio frequency energy and, if not

installed and used in accordance with the instructions, may cause harmful interference to radio communications. However, there is no guarantee that interference will not occur in a particular installation. If this equipment does cause harmful interference to radio or television reception, which can be determined by turning the equipment off and on, the user is encouraged to try to correct the interference by one or more of the following measures:

- Reorient or relocate the receiving antenna.
- Increase the separation between the equipment and receiver.
- Connect the equipment into an outlet on a circuit different from that to which the receiver is connected.
- Consult the dealer or an experienced radio/TV technician for help.

Horizon Hobby, LLC
2904 Research Rd.,
Champaign, IL 61822
Email: compliance@horizonhobby.com
Web: HorizonHobby.com

IC INFORMATION

CAN ICES-3 (B)/NMB-3(B) IC: 6157A-SPMSLT200F

This device contains license-exempt transmitter(s)/receivers(s) that comply with Innovation, Science, and Economic Development Canada's license-exempt RSS(s). Operation is subject to the following 2 conditions:

1. This device may not cause interference.
2. This device must accept any interference, including interference that may cause undesired operation of the device.

REPLACEMENT PARTS LIST

Part #	Description
LOS-1907	28T 380 Sized Brushed Motor: GROM
LOS-1914	Goodyear Eagle Mounted Tires, Medium (4): NG
LOS-1915	Rear Diffuser: NASCAR GROM
LOS-1916	Composite Chassis 225mm: GROM
LOS-1919	Top Deck 225mm: GROM
LOS-1920	380 Motor Heatsink: GROM
LOS-1921	Nerf Bar Set 225mm: GROM
LOS-1926	Front Bumper & Splitter: NASCAR GROM
LOS-1927	Camber & Steering Link Set: GROM
LOS-1928	Body Mount Set: GROM
LOS-1930	Center Driveshaft 225mm: GROM
LOS-1932	Servo & Motor Plate (17-19t) Set: GROM
LOS-1934	Spoiler Set: NASCAR GROM
LOS-1935	Wheel Axle & Hex Set: GROM
LOS-1936	Shocks, Assembled (2), On-Road: GROM
LOS-1937	Goodyear Eagle Mounted Tires, Soft (4): NG
LOS216001	Body Clips (6): Mini
SPMSSX110	Micro Metal Gear Servo
SPMX142S30H2	1400mAh 2S 7.4V Smart G2 30C LiPo; IC2 Connector
SPMXC0040	S10 Smart G2 LiPo USB-C Charger w/ IC2 Connector
SPMXSE3125RX	SLT RX / 25A BRUSHED ESC, IC2
ARA-1251	Motor Fan & Mount Set GROM
ARA-1254	M2.5x8mm Button Head Screw with M3 Head (10pcs)
ARA-1418	Battery Strap Set for 204mm Chassis - GROM
ARA311177V2	Assembled Differential 30T 0.8Mod V2 (1pc) - GROM
ARA311181	CVD Rebuild Set
ARA311182	Input Gear Set
ARA311196	Metal Spur Gear 59T

Part #	Description
ARA311205	Pinion Gear 19T MOD 0.5 CNC 2.3mm Bore
ARA311226	CVD Driveshaft 44mm (2pcs)
ARA311227	Dogbone 40.5mm (2pcs)
ARA311229	Wheel Axle and Hub Set B - GROM
ARA320744	Motor Mount Set (8pcs)
ARA320749	Diff Cover Set (2pcs) - GROM
ARA320750	Hingepin 2.5x37mm (4pcs)
ARA330803	Ball 5.3x5.9x2.5mm (10pcs)
ARA330804	Ball 4.8x4.9x2.5mm (10pcs)
ARA330839	Front Suspension Arm Set B - GROM
ARA330840	Rear Suspension Arm Set B - GROM
ARA330841	Hub Set B (F+R) - GROM
ARA340202	Steering Set
ARA340203V2	Servo Saver Set
ARA610052	Ball Bearing 8x12x3.5mm (2RS) (4pcs)
ARA610053	Ball Bearing 7x11x3mm (2RS) (4pcs)
ARA702009	Flat Head Screw M2x10mm (10pcs)
ARA702010	Cap Head Screw M2.5x8mm (10pcs)
ARA702011	Cap Head Screw M2.5x12mm (10pcs)
ARA702012	Cap Head Screw M2x10mm (10pcs)
ARA702013	Button Head Screw Pin M3x24mm (10pcs)
ARA702014	Flanged Cap Head Screw M2x12mm (10pcs)
ARA702015	Step Screw M2.5x16mm (10pcs)
ARA702017	Flat Head Screw M2.5x12mm (10pcs)
ARA702018	Flat Head Screw M1.6x12mm (10pcs)
ARA702019	M2.5x12mm 5.5mm Hex Head (10pcs)
ARA724304	Set Screw M3x4mm (10pcs)



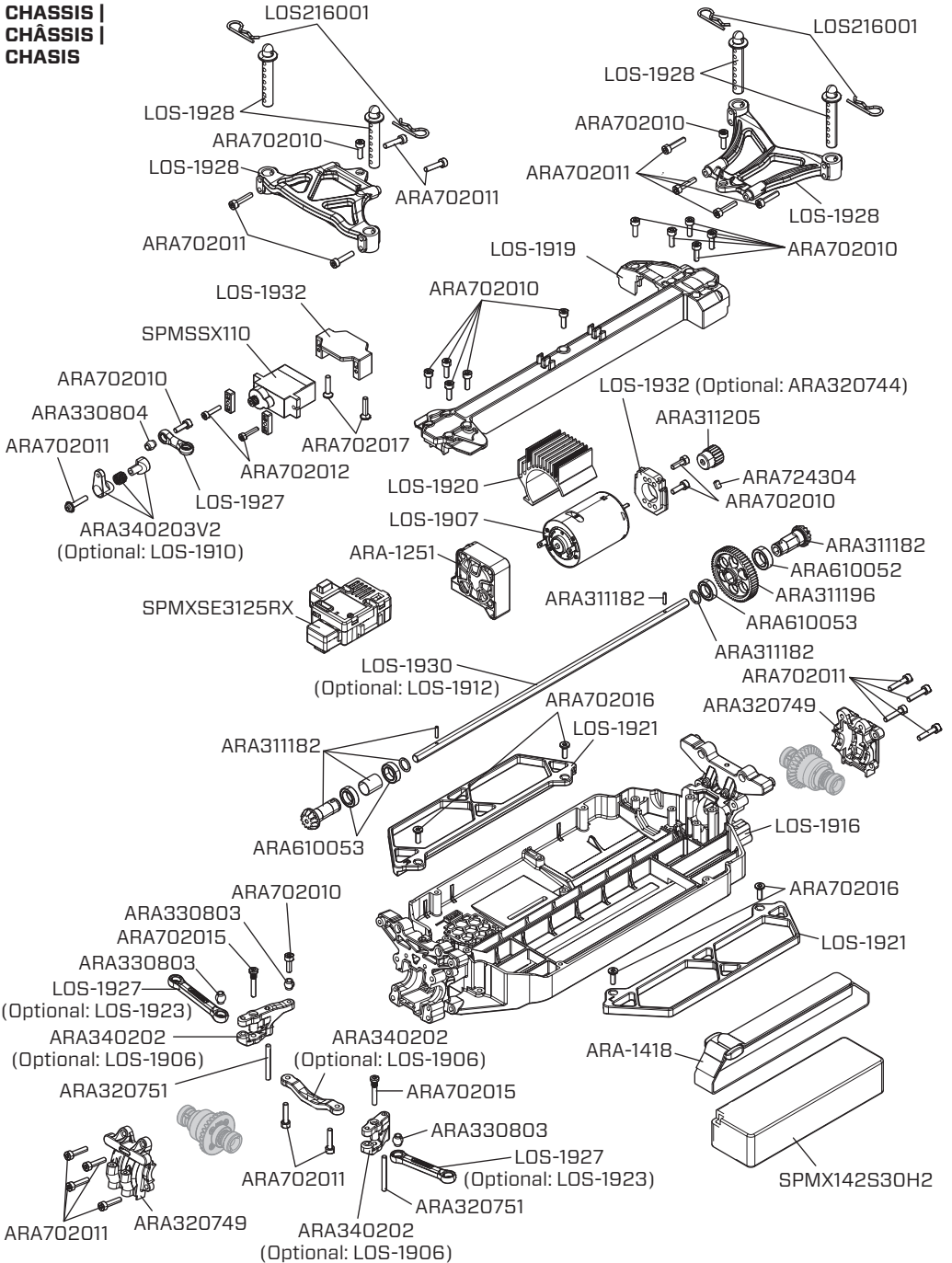
OPTIONAL PARTS LIST

Part #	Description
LOS-1906	Aluminum Bell Crank Set, Red: GROM
LOS-1908	Truex Jr #19 Bass Pro 2024 Body: NASCAR GROM
LOS-1909	Blaney #12 Menards 2024 Body: NASCAR GROM
LOS-1910	Aluminum Servo Horn, 20T, Red: GROM
LOS-1911	Elliot #9 NAPA 2024 Body: NASCAR GROM
LOS-1912	Center Driveshaft, Aluminum, Red, 225mm: GROM
LOS-1913	Busch #8 Lucas Oil 2024 Body: NASCAR GROM
LOS-1917	Ford Clear Body: NASCAR GROM
LOS-1918	Toyota Clear Body: NASCAR GROM
LOS-1922	McDowell #34 Horizon Hobby 2024 Body: NASCAR GROM
LOS-1923	Adjustable Camber & Steering Link Set: GROM
LOS-1924	Battery Spacer, Foam: GROM
LOS-1925	Larson #5 HendrickCars 2024 Body: NASCAR GROM
LOS-1929	Aluminum Hex Drive Set, Red: GROM
LOS-1931	Aluminum Shock Set, On-Road, Assembled, Red (4): GROM
LOS-1933	Tuning Spring Set (7-11lb/in, 2), On-Road: GROM
LOS-1938	Chevy Clear Body: NASCAR GROM

Part #	Description
LOS-1947	Rear Hubs, Aluminum, Red: GROM
LOS-1948	Spindle Set, Aluminum, Red: GROM
LOS-1949	Motor Mount, Aluminum, Adjustable, Red: GROM
LOS-1950	Spur Gear, Machined Delrin, 59T MOD 0.5: GROM
LOS-1951	Car Stand, Red, Foam: GROM
ARA311193	Assembled Oil Filled Differential 30T 0.8Mod, 3000cSt Oil (2pcs) - GROM
ARA311203	Pinion Gear 17T MOD 0.5 CNC 2.3mm Bore
ARA311204	Pinion Gear 18T MOD 0.5 CNC 2.3mm Bore
ARA311206	Pinion Gear 20T MOD 0.5 CNC 2.3mm Bore
ARA311207	Pinion Gear 21T MOD 0.5 CNC 2.3mm Bore
ARA311208	Pinion Gear 22T MOD 0.5 CNC 2.3mm Bore
SPMX812SH2	810mAh 2S 7.4V Smart G2 50C LiPo; IC2
SPMXCA320	Adapter: IC3 Battery / IC2 Device; 6
ARA311208	Pinion Gear 22T MOD 0.5 CNC 2.3mm Bore
SPMXCA320	Adapter: IC3 Battery / IC2 Device
SPMXPSS215	Smart Powerstage Surface Bundle: 1400mAh 2S 30C LiPo Battery (IC2) / 100W S100 Charger / 65W Power Adapter/ Adapter

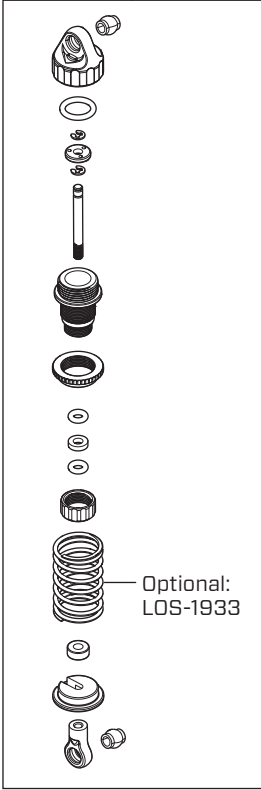
EXPLODED VIEWS // VUES ÉCLATÉES // VISTAS EXPLOSIONADAS

**CHASSIS |
CHÂSSIS |
CHASIS**

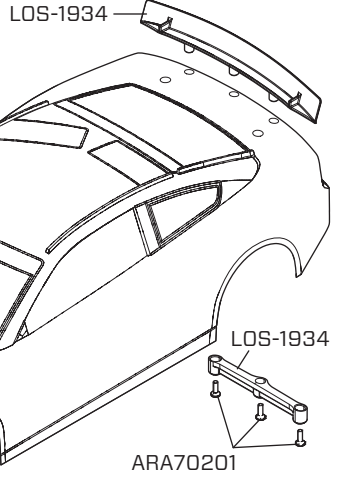


SHOCKS AND BODIES | AMORTISSEURS ET CARROSSERIES | AMORTIGUADORES Y CARROCERÍAS

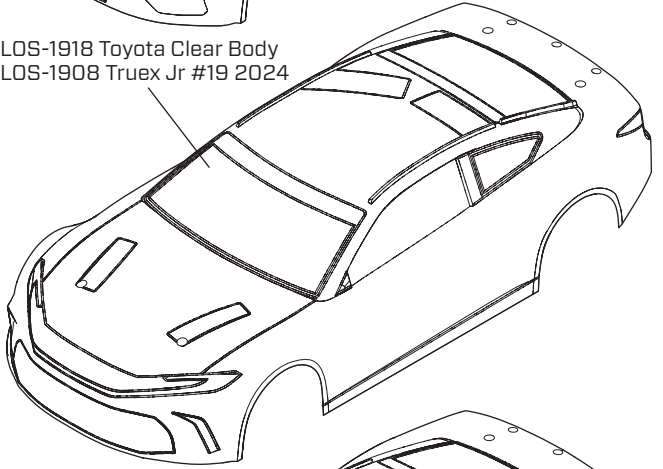
LOS-1936 (Optional: LOS-1931)



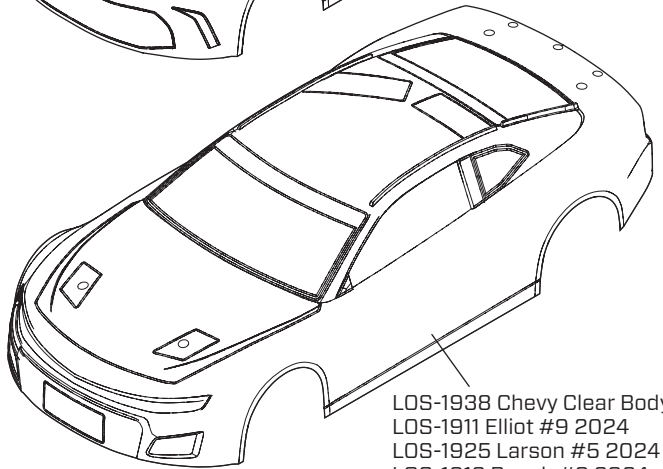
LOS-1917 Ford Clear Body
 LOS-1909 Blaney #12 2024
 LOS-1922 McDowell #34 2024



LOS-1918 Toyota Clear Body
 LOS-1908 Truex Jr #19 2024



LOS-1938 Chevy Clear Body
 LOS-1911 Elliot #9 2024
 LOS-1925 Larson #5 2024
 LOS-1913 Busch #8 2024





© 2024 Horizon Hobby, LLC.

Losi, IC2, and the Horizon Hobby logo

are trademarks or registered trademarks of Horizon Hobby, LLC. The Spektrum trademark is used with permission of Bachmann Industries, Inc. NASCAR® is a registered trademark of the National Association for Stock Car Racing, LLC.

Other patents pending.

Created 05/24

LOS11224--

778229