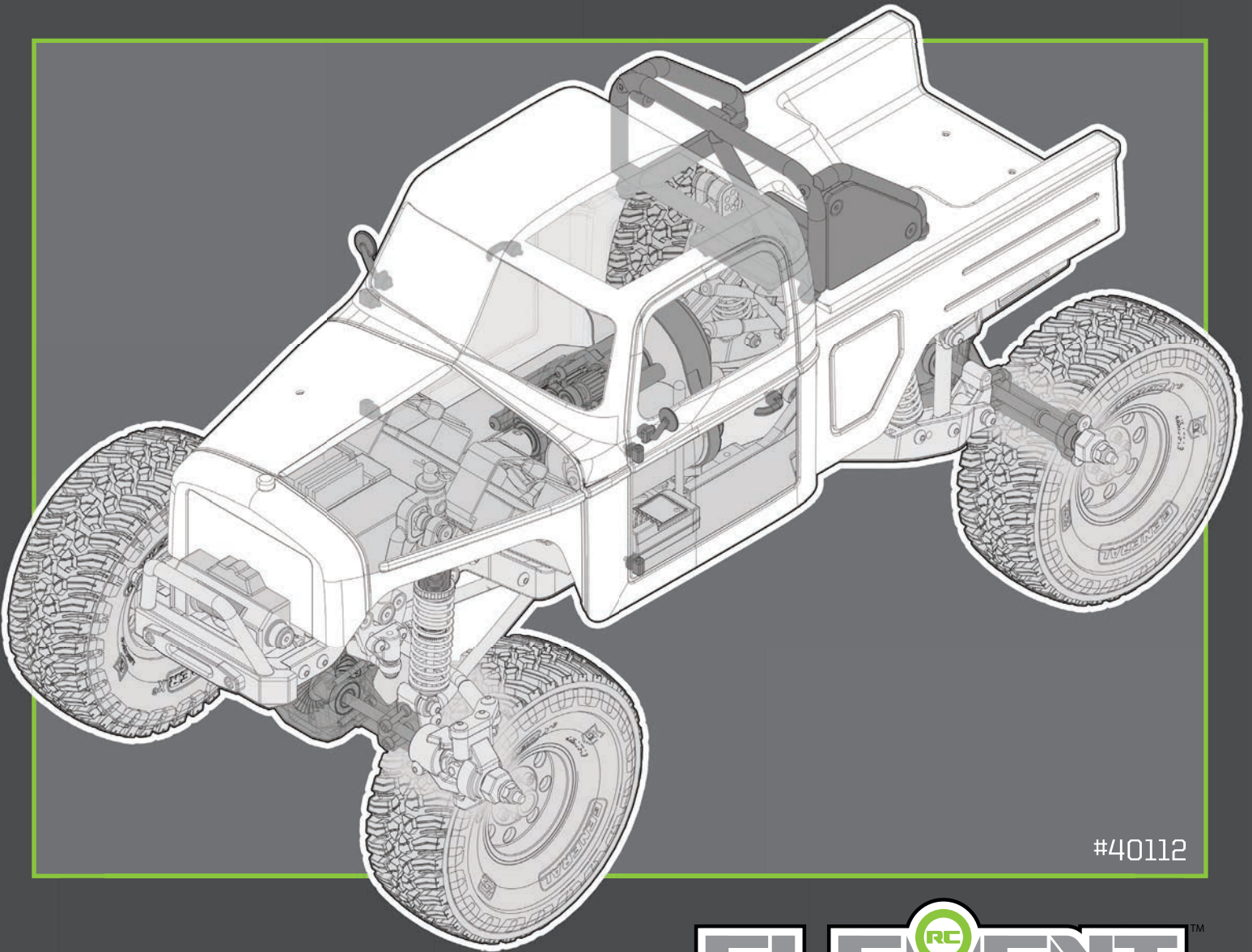


ENDURO

WITH TRAILING ARM SUSPENSION

ECTO TRAIL TRUCK

OWNERS BUILD MANUAL



#40112





Associated Electrics, Inc.
21062 Bake Parkway.
Lake Forest, CA 92630

Customer Service
Tel: 949.544.7500
Fax: 949.544.7501

Follow Us On Social Media



ElementRC



@Element_RC

www.ElementRC.com

AE is a Registered Trademark of Associated Electrics, Inc.

TEAM ASSOCIATED is a Registered Trademark of Associated Electrics, Inc.

REEDY is a Registered Trademark of Associated Electrics, Inc.

FACTORY TEAM is a Registered Trademark of Associated Electrics, Inc.

ELEMENT™ is a Trademark of Associated Electrics, Inc.

AREA 51 is a Registered Trademark of Associated Electrics, Inc.

STEALTH is a Registered Trademark of Associated Electrics, Inc.

GREEN SLIME is a Registered Trademark of Associated Electrics, Inc.

ITEMS NEEDED

The following items are required to build or maintain your Enduro vehicle.

- 1.5mm Allen Wrench (#1500)
- 2mm Allen Wrench (#1501)
- 2.5mm Allen Wrench (#1503)
- Pliers
- Long Nose Pliers
- 5.5mm Nut Driver (#1507)
- 7mm Nut Driver (#1508)

OTHER HELPFUL ITEMS

The following items aren't required, but will aid in the building and maintaining of your Enduro vehicle.

- Threadlock (#1596) *Not Included
- Green Slime (#1105) *Not Included

Your journey begins here.



INTRODUCTION

Thank you for purchasing this Element RC product. This assembly manual contains instructions and tips for building and maintaining your new Enduro chassis. Please take a moment to read through this manual to help familiarize yourself with these steps. We are continually changing and improving our designs; therefore, actual parts may appear slightly different than in the illustrations. New parts will be noted on supplementary sheets located in the appropriate parts bags.

ECTO RTR

A PERFORMANCE RIG BUILT TO ENDURE. When hitting the trail, you want to do it with performance and confidence. So, we bring you the all-new Enduro Ecto Trail Truck RTR!

Aimed towards the serious RC rock crawler enthusiast, the new Enduro Ecto Trail Truck RTR is packed full of performance features that are sure to impress.

What makes the Enduro Ecto Trail Truck special? The all-new Gatekeeper Suspension package (GKS™)! This package consists of rear trailing arms that move the shocks forward, allowing a larger window for shock tuning and providing improved weight bias. The trailing arms are paired with a rear anti-roll bar for a more stable and consistent suspension when crawling on the rocks. An adjustable aluminum track bar mount firmly bolted to the chassis rail gives the Enduro Ecto more reliable and responsive steering without the flex. Our shock mount inserts with multiple mounting positions allow for precise suspension tuning, whether they're moving the shocks up, down, forward, or back.

The performance doesn't stop there. The Enduro Ecto Trail Truck is built on our proven stamped steel C-channel Enduro chassis and retains the same awesome features as before.

The behind-the-axle (BTA) steering link greatly improves approach angle and front-end clearance, making rough terrain much easier to handle. The Stealth® X features the ability to adjust the rear drive ratio independently of the front drive across three levels: stock overdrives the front end 5.7% (installed in RTR), option 1 provides a one-to-one drive ratio front-to-rear (available separately), and option 2 overdrives the front end 11.83% (included with RTR).

Feeding the power to the tires are 3-piece telescopic driveshafts with an extruded aluminum center section, universal front drive axles, and hardened steel ring and pinion gears. With the Enduro drivetrain, delivering useful and reliable power will not be an issue.

With all these amazing features packed in one box, we know the Enduro Ecto Trail Truck RTR is a high-performance rock crawling machine that's ready to take on the terrain. – Are you?






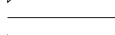
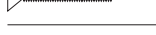

FEATURES

- Behind-the-axle (BTA) steering
- Aluminum steering plates
- CMS (Chassis Mounted Steering)
- Steel 25T servo horn
- Integrated servo winch mount
- Threaded aluminum shock bodies
- Stamped steel frame rails
- Aluminum motor plate
- Optimized ball cups for more fluid axle articulation
- Telescopic driveshafts front and rear
- Extruded aluminum driveshaft splines
- One-piece rear axle design
- Splined front axle with adjustable caster
- Universal front drive axles
- Machined input pinion gear
- Metal ring gear
- Machined steel top shaft
- Heavy duty 5mm diameter steel links
- Metal ball bearings
- 12mm steel wheel hexes
- Shock mount inserts
- Aluminum track bar that is mounting directly to the steel frame rail
- Adjustable front track bar
- GKS [trailing arm rear suspension]
- Anti-roll bar included for the rear








HARDWARE 1:1 SCALE VIEW

HARDWARE USED WITH OPTIONAL REPLACEMENT PART NUMBERS




FLAT HEAD SCREWS (FHCS)

	2.5x10mm (31350)
	2.5x14mm (41077)
	3x8mm (25201)
	3x10mm (25202)
	3x12mm (25203)
	3x14mm (89208)
	3x20mm (89210)
	3x24mm (89233)

SOCKET HEAD SCREWS (SHCS)

	Aluminum (8566)
	2x8mm (7187)
	2.5x6mm (41079)
	2.5x8 (89222)
	2.5x10 (41087)
	2.5x14 (71032)
	2.5x16 (41086)



LP SOCKET HEAD SCREWS (LP SHCS)

	3x6mm (41089)
	3x10mm (41090)
	3x20mm (41091)














SET SCREWS

	3x3mm (25225)
	3x16mm (4689)



PIVOT BALLS

	Pivot Ball, 6mm (42041) FT Pivot Ball, 6mm (42056)
	Pivot Ball, Upper Shock (42041) FT Pivot Ball, Upper Shock (42055)




BUTTON HEAD SCREWS (BHCS)

	2.5x10mm (41088)
	3x5mm (31530)
	3x6mm (31531) Titanium (91580)
	3x8mm (31532) Titanium (91581)
	3x10mm (25211) Titanium (91582)
	3x12mm (89202) Titanium (91583)
	3x14mm (25187) Titanium (91584)
	3x16mm (89203) Titanium (91585)
	3x18mm (2308)
	3x20mm (25188) Titanium (91587)
	3x22mm (25189)
	3x24mm (89204)
	3x28mm (41078)






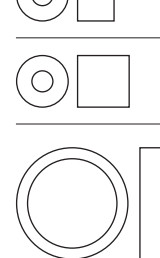
LOCK NUTS

	M3 Nuts (91477) M3 Locknuts (25215) Aluminum (31550)
	M4 Locknut W/Flange (25391)



BEARINGS

	5x10x4mm (91560)
	7x14x3.5mm (91474)
	10x15x4mm (91563)

SHIMS AND WASHERS

	3x7mmx1mm (42260)
	3x7mmx2mm (42260)
	3x7x3mm (42260)
	3x7x5mm (42260)
	3x7x7mm (42260)
	Drive Gear Shim (42027)

MISC. SCREWS

	Shoulder Screw 3x4x10mm (42070)
	Screw Pin (42022)

LINKS






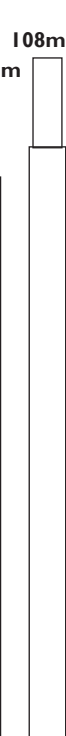
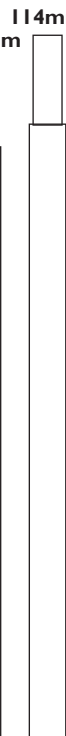
	73mm
	83mm
	93mm
	96mm
	100mm
	108mm
	114mm

TABLE OF CONTENTS

12/3/2020

01	COVER	12	DRIVESHAFTS BUILD (BAG 8)
02	INTRODUCTION	13	SHOCKS BUILD (BAG 9)
03	1:1 HARDWARE "FOLD OUT"	15	CAGE BUILD (BAG 10)
04	TABLE OF CONTENTS	18	CATALOG
05	CHASSIS BUILD (BAG 1, 2)	28	OPTIONAL GEARBOX BUILD
06	ELECTRONIC MOUNTS BUILD (BAG 3)	29	TRAIL TIPS
06	GEARBOX BUILD (BAG 4)	30	BACK COVER
08	FRONT AXLES BUILD (BAG 5)		
08	REAR AXLES BUILD (BAG 6)		
09	LINKS BUILD (BAG 7)		

USING THIS MANUAL



This symbol indicates a special note or instruction in the manual.

x2

This symbol indicates the number of the same part that is required.



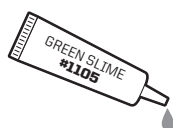
This symbol indicates the order within a step to assemble parts.



This symbol indicates a Trail Tip.



This symbol indicates where Black Grease should be applied.



This symbol indicates where Green Slime can be applied.



This symbol indicates where Thread Lock Adhesive should be applied.



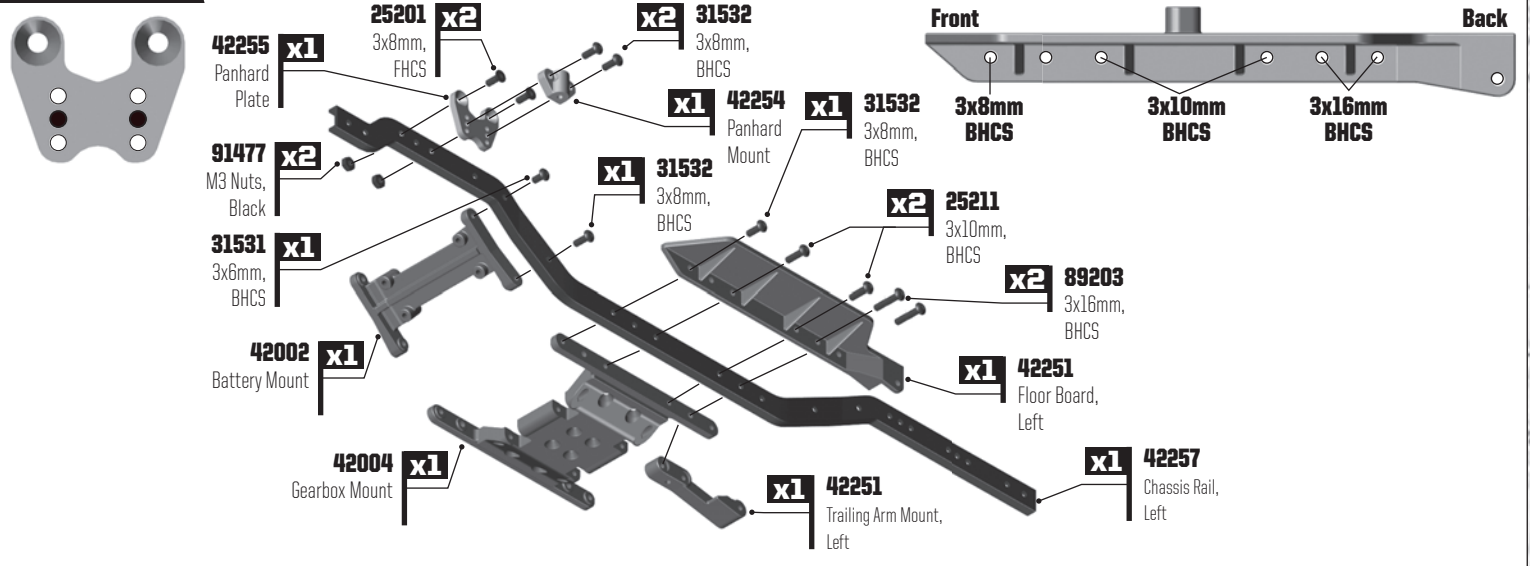
This symbol indicates where Shock Fluid should be applied.



There is a 1:1 hardware foldout page in the front of the manual. To check the size of a part, line up your hardware with the correct drawing until you find the exact size. Each part in the foldout has a number assigned to it for ordering replacement parts.

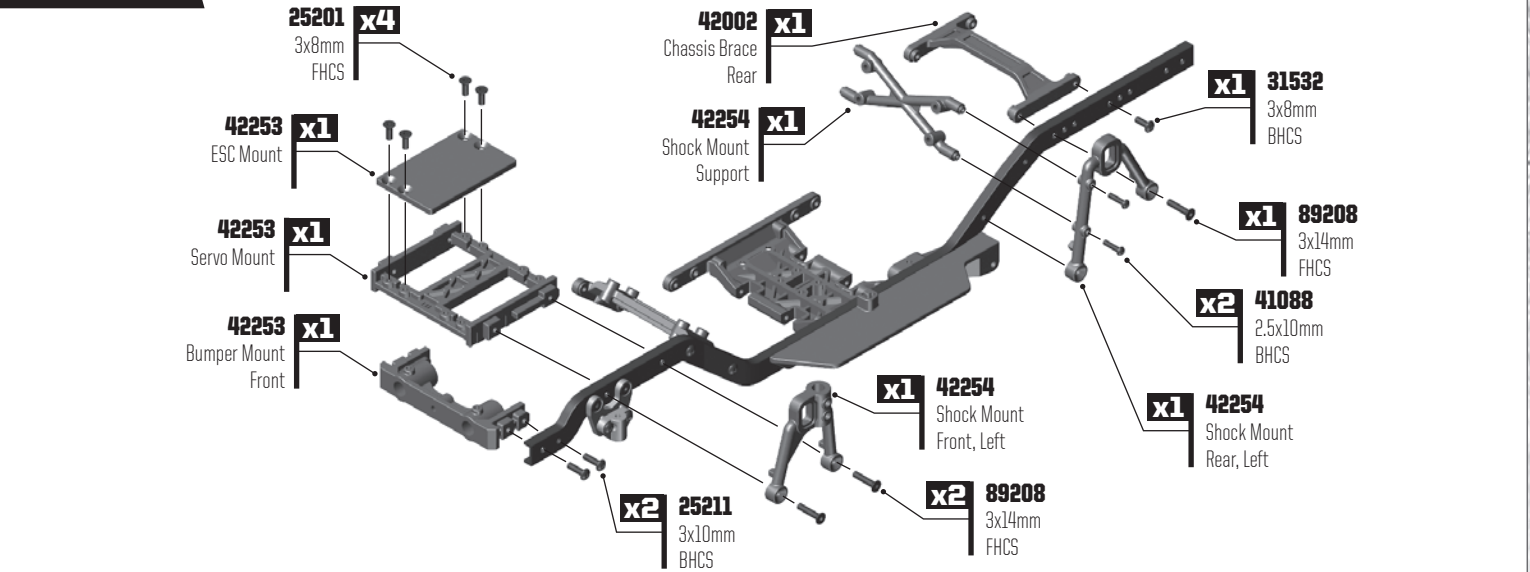
GATE 01

CHASSIS BUILD: BAGS 1, 2



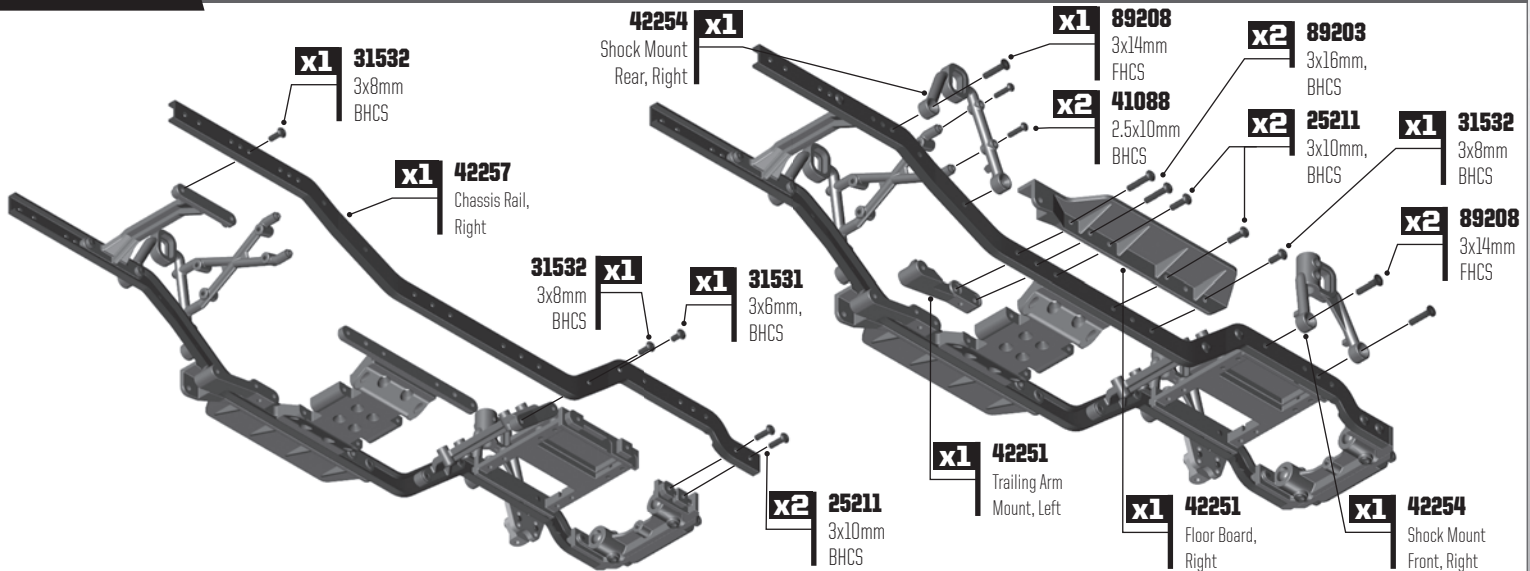
GATE 02

CHASSIS BUILD: BAGS 1, 2

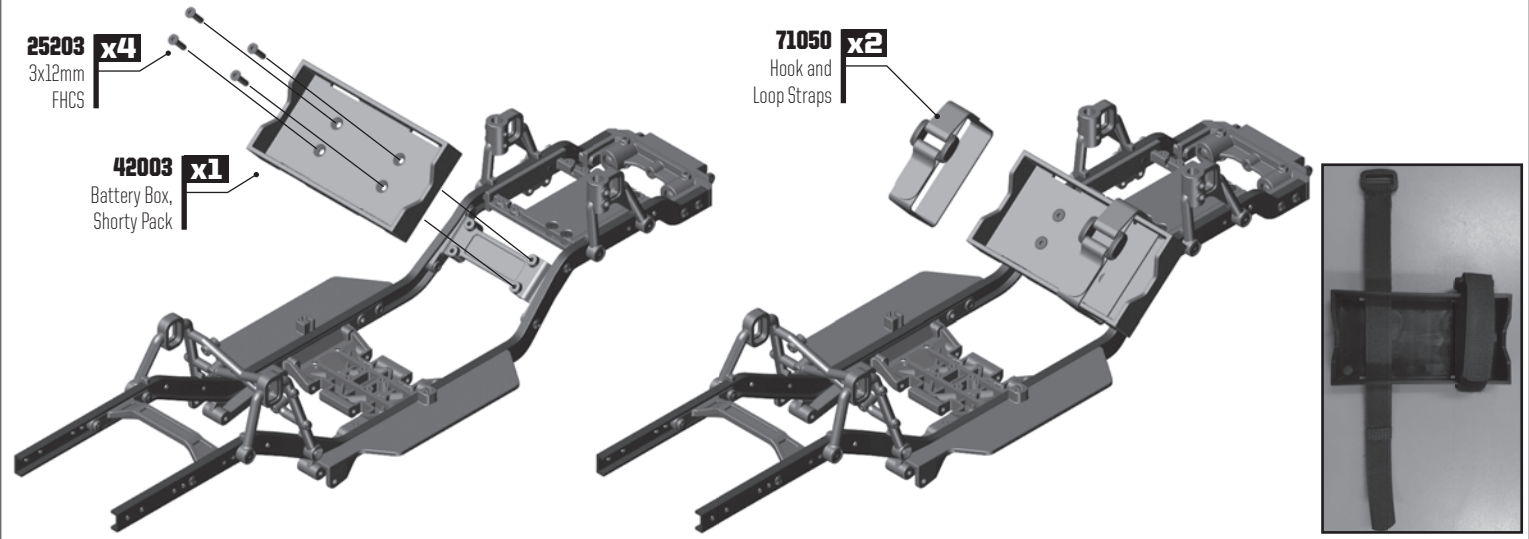


GATE 03

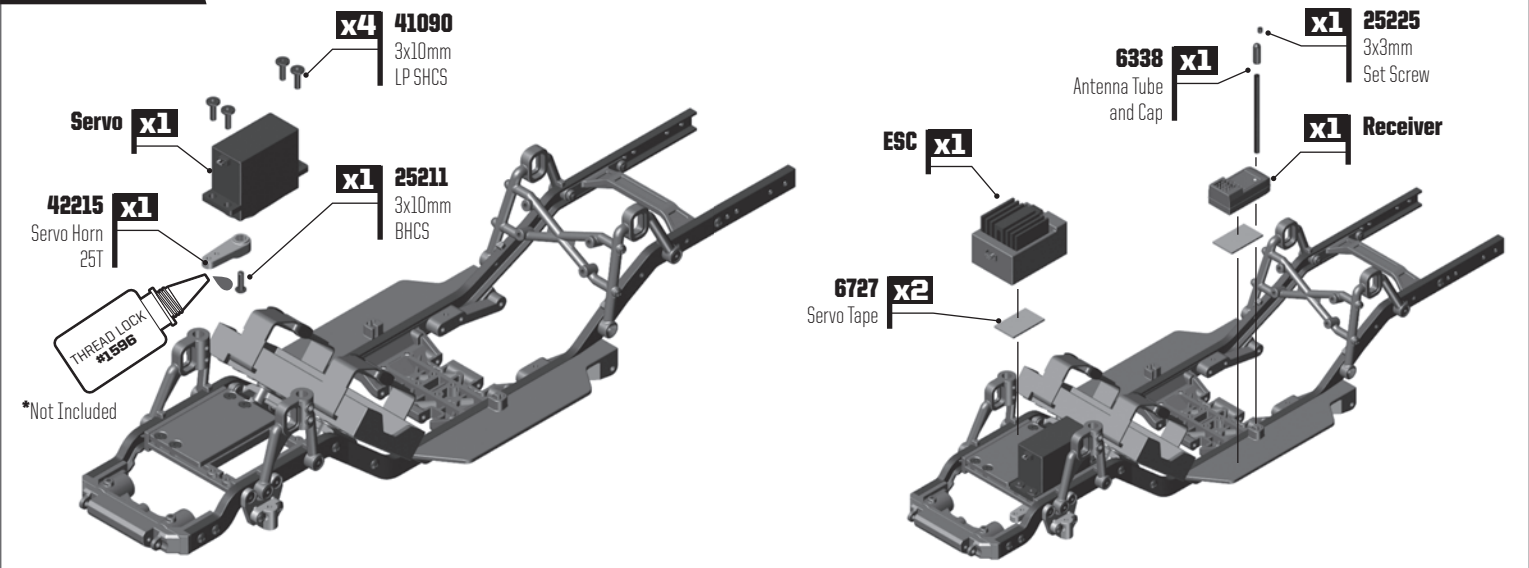
CHASSIS BUILD: BAGS 1, 2



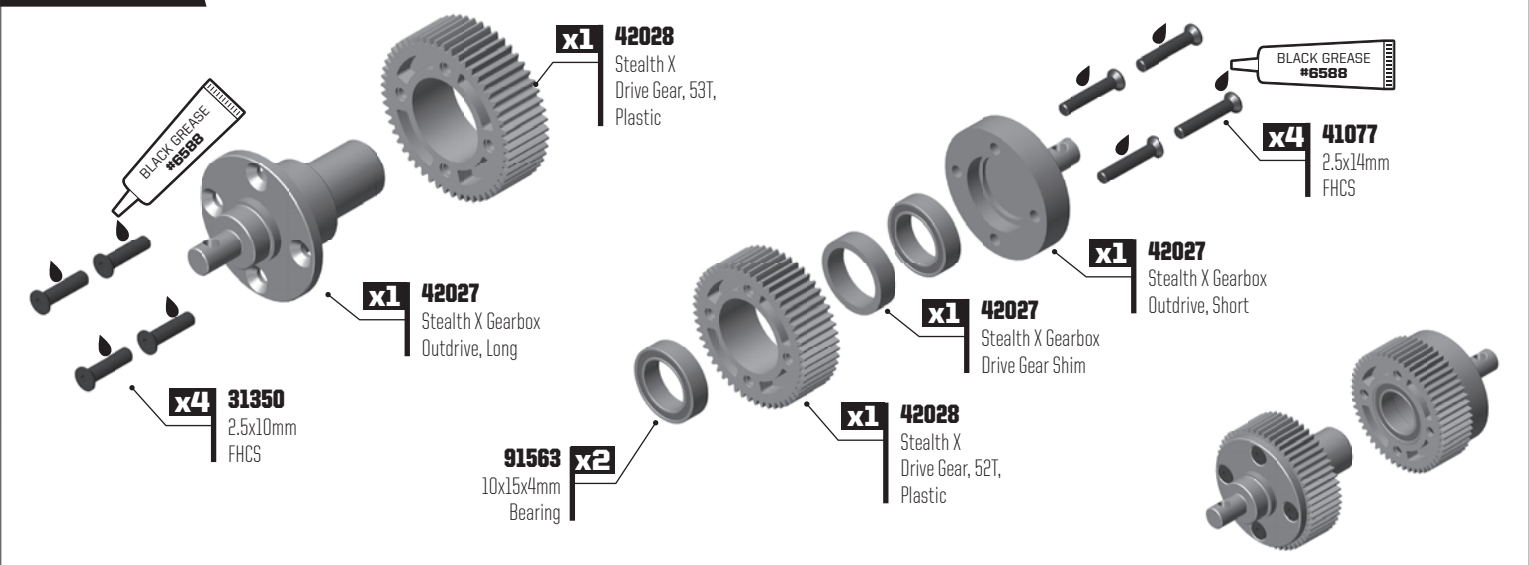
GATE 01 ELECTRONIC MOUNTS BUILD: BAG 3



GATE 02 ELECTRONIC MOUNTS BUILD: BAG 3



GATE 01 GEARBOX BUILD: BAG 4



GATE 02 GEARBOX BUILD: BAG 4

NOTE: There are optional gearbox builds on page 28

Over Drive Option I (Stock)

GATE 03 GEARBOX BUILD: BAG 4

GATE 04 GEARBOX BUILD: BAG 4

NOTE: Make sure the gear mesh between the spur gear and pinion has a slight amount of movement between the two gears.

GATE 01 FRONT AXLE BUILD: BAG 5

91560 x2
5x10x4mm Bearing

41086 x4
2.5x16mm SHCS

91474 x2
7x14x3.5mm Bearing

BLACK GREASE #6588

42066 x1
Pinion Gear, 8T

42061 x1
Axle Housing, Front

42060 x1
Axle Housing, Differential Cover

42065 x1
Ring Gear, 30T

91560 x1
5x10x4mm Bearing

42062 x1
Caster Block, Left

NOTE: Align the two arrows when installing the caster block!

NOTE: Install Left and right side caster blocks and bearings

GATE 02 FRONT AXLE BUILD: BAG 5

NOTE: Do not overtighten screws!

25187 x1
3x14mm BHCS

42067 x1
Universal, 80mm

91563 x1
10x15x4mm Bearing

91560 x1
5x10x4mm Bearing

42062 x1
Steering Block

71032 x2
2.5x14mm SHCS

42060 x1
Lower 4-Link Mount

42070 x2
3x4x10mm Shoulder Screw

NOTE: Install left and right side steering blocks and universals

NOTE: Install left and right side axle mounts and shoulder screws

GATE 03 FRONT AXLE BUILD: BAG 5

25211 x4
3x10mm BHCS

42064 x1
Steering Plate, Right

42064 x1
Steering Plate, Left

42019 x1
Wheel Hex Pin, 2x11mm

42069 x1
Wheel Hex, 6mm

NOTE: Install left and right side wheel hexes

GATE 01 REAR AXLE BUILD: BAG 6

91474 x2
7x14x3.5mm Bearing

42065 x1
Ring Gear, 30T

42060 x1
Axle Housing, Differential Cover

BLACK GREASE #6588

42066 x1
Pinion Gear, 8T

42061 x1
Axle Housing, Rear

41086 x4
2.5x16mm, SHCS

91560 x2
5x10x4mm Bearing

GATE 02 REAR AXLE BUILD: BAG 6

x1 42068 Driveshaft, Rear, 80mm

x1 91560 5x10x4mm Bearing

x2 41089 3x6mm LP SHCS

x2 71032 2.5x14mm SHCS

x1 42060 Lower 4-Link Mount

x1 42019 Wheel Hex Pin, 2x11mm

x1 42069 Wheel Hex, 6mm

NOTE: Install left and right side drive shafts

NOTE: Install left and right side axle mounts and wheel hexes

GATE 01 LINKS BUILD: BAG 7

x2 42041 Pivot Ball, 6mm

x2 42040 Rod End, Curved

x1 42043 Link, 83mm

BLACK GREASE #6588

x1 25187 3x14mm BHCS

x1 89203 3x16mm BHCS

112.50mm

GATE 02 LINKS BUILD: BAG 7

x2 42041 Pivot Ball, 6mm

x2 42040 Rod End, Curved

x1 42043 Link, 73mm

BLACK GREASE #6588

x1 25187 3x14mm BHCS

x2 25215 M3 Locknut, Black

x1 42260 Spacer 7mm

THREAD LOCK #1596

x1 25188 3x20mm BHCS

102.20mm

GATE 03 LINKS BUILD: BAG 7

x2 42040 Rod End, Curved

BLACK GREASE #6588

x1 42043 Link, 93mm

x2 42041 Pivot Ball, 6mm

NOTE: Check the rod end angles before installation

122.00mm

25188 **x1** 3x20mm, BHCS

41078 **x1** 3x28mm, BHCS

25215 **x2** M3 Locknut, Black

x1 42054 FT Pivot Ball, Steel, 6mm

GATE 04 LINKS BUILD: BAG 7

x2 42041 Pivot Ball, 6mm

BLACK GREASE #6588

x1 42043 Steering Link

x2 42040 Rod End, Straight

154.50mm

25187 **x2** 3x14mm, BHCS

25215 **x2** M3 Locknut, Black

GATE 05 LINKS BUILD: BAG 7

x2 42041 Pivot Ball, 6mm

BLACK GREASE #6588

x1 42043 Link, 100mm

x2 42040 Rod End, Curved

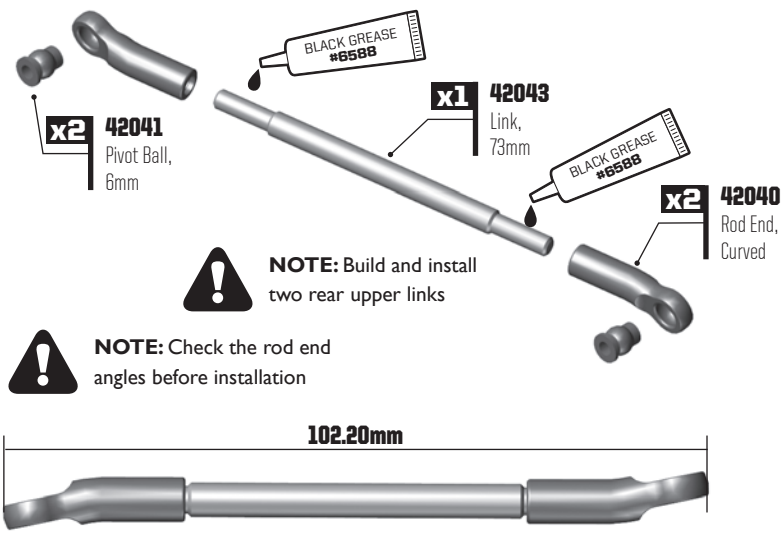
NOTE: Build and install two front lower links

129.50mm

25187 **x1** 3x14mm, BHCS

x1 4689 3x16mm, Set Screw

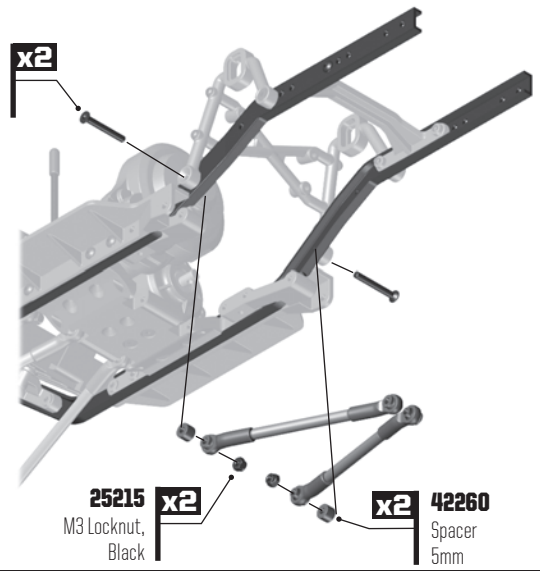
GATE 06 LINKS BUILD: BAG 7



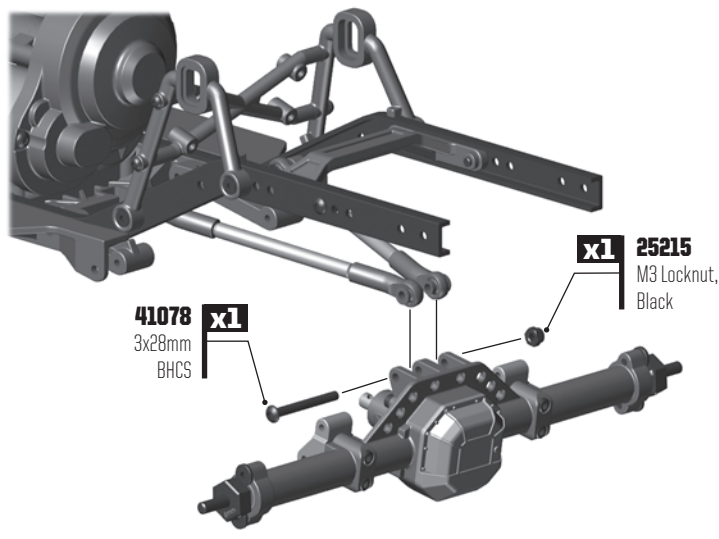
NOTE: Build and install two rear upper links

NOTE: Check the rod end angles before installation

x2 89233 3x24mm FHCS

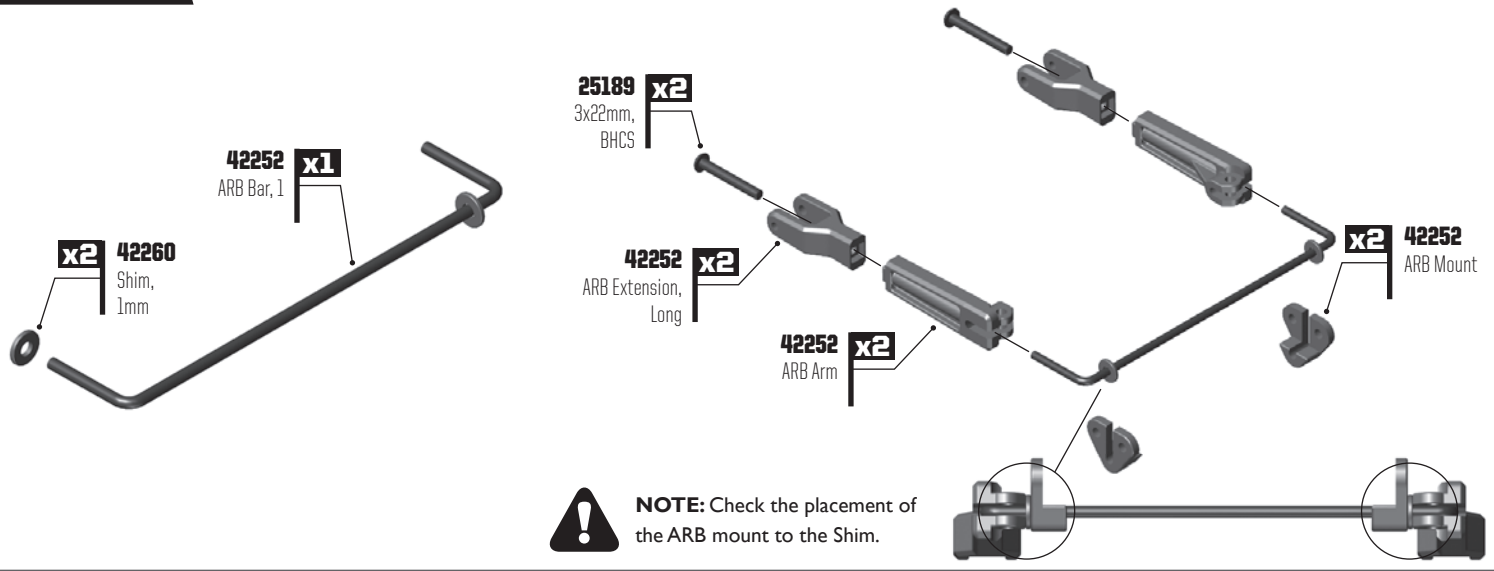


GATE 07 LINKS BUILD: BAG 7



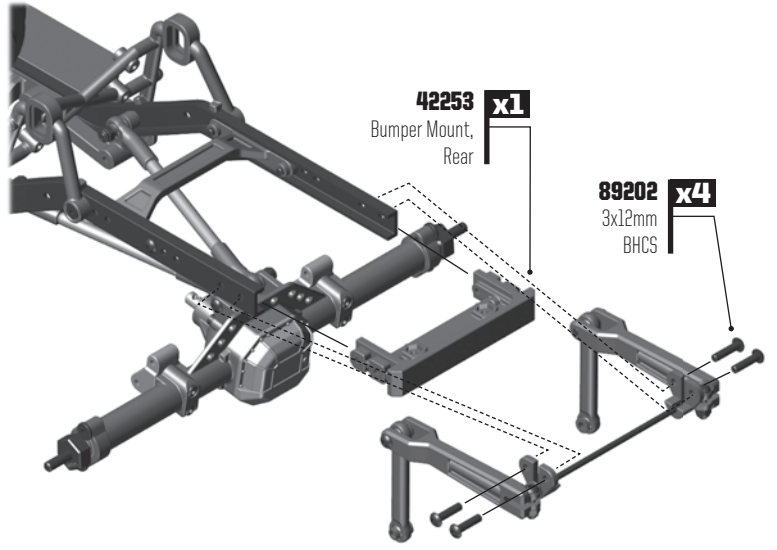
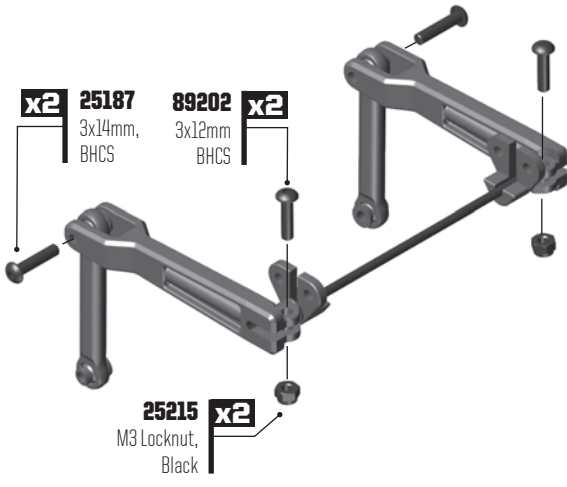
NOTE: Build and install two drop links

GATE 08 LINKS BUILD: BAG 7

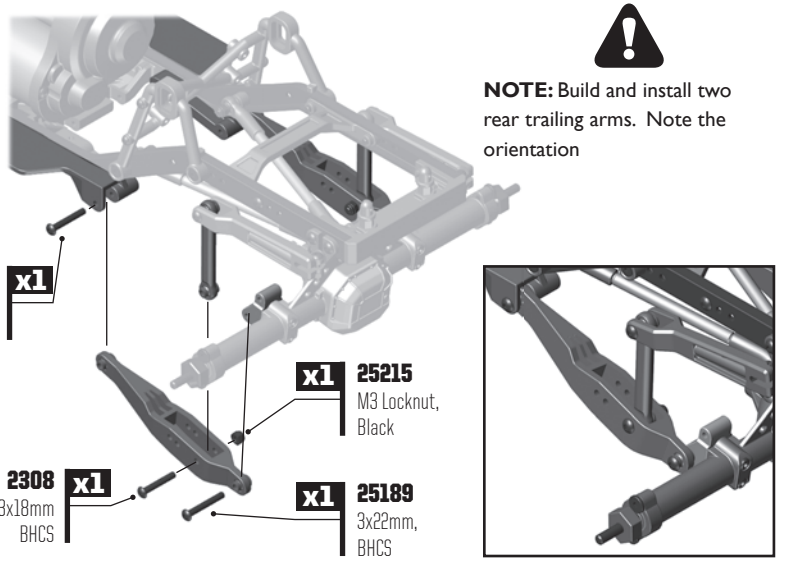
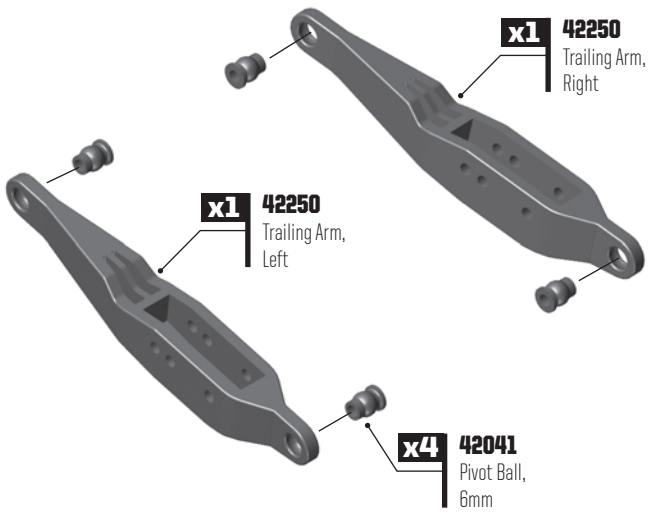


NOTE: Check the placement of the ARB mount to the Shim.

GATE 09 LINKS BUILD: BAG 7

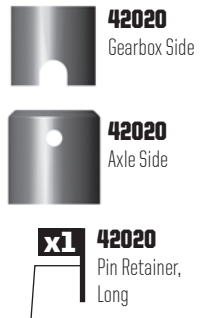
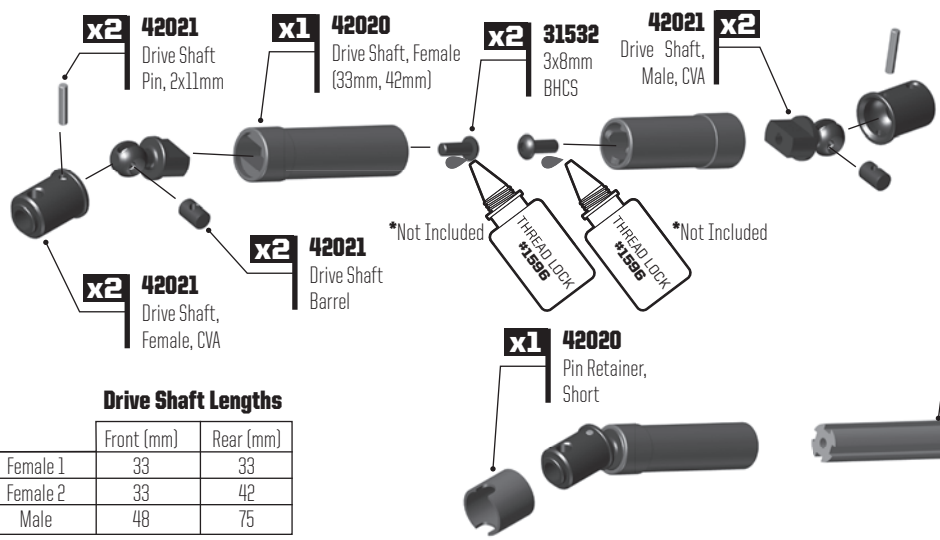


GATE 10 LINKS BUILD: BAG 7



NOTE: Build and install two rear trailing arms. Note the orientation

GATE 01 DRIVE SHAFT BUILD: BAG 8



Drive Shaft Lengths

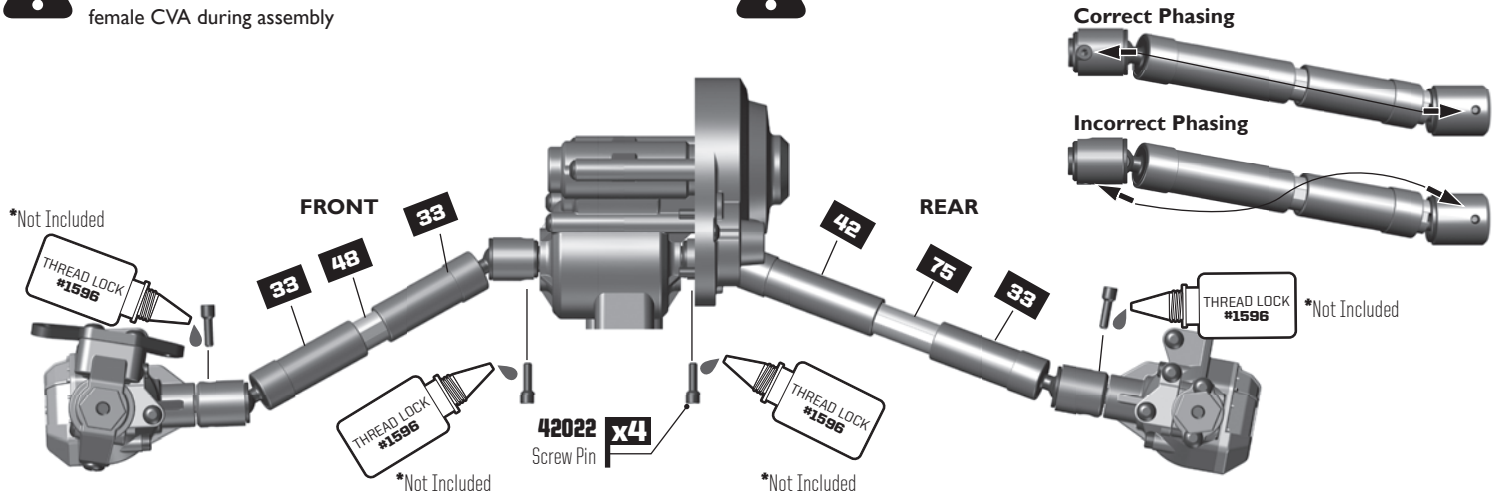
	Front (mm)	Rear (mm)
Female 1	33	33
Female 2	33	42
Male	48	75

NOTE: Build a front and rear drive shaft

GATE 02 DRIVESHAFT BUILD: BAG 8

NOTE: Make sure the screw pins are aligned with each female CVA during assembly

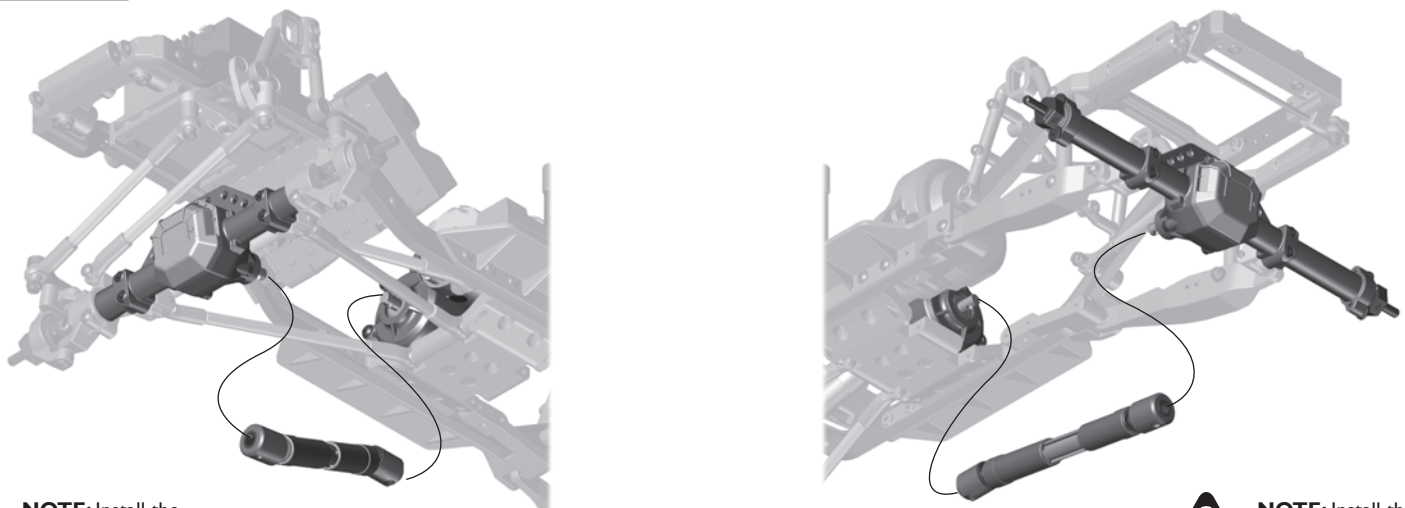
NOTE: Make sure the phasing of the drive shafts is correct when installing them to the axles and gearbox.



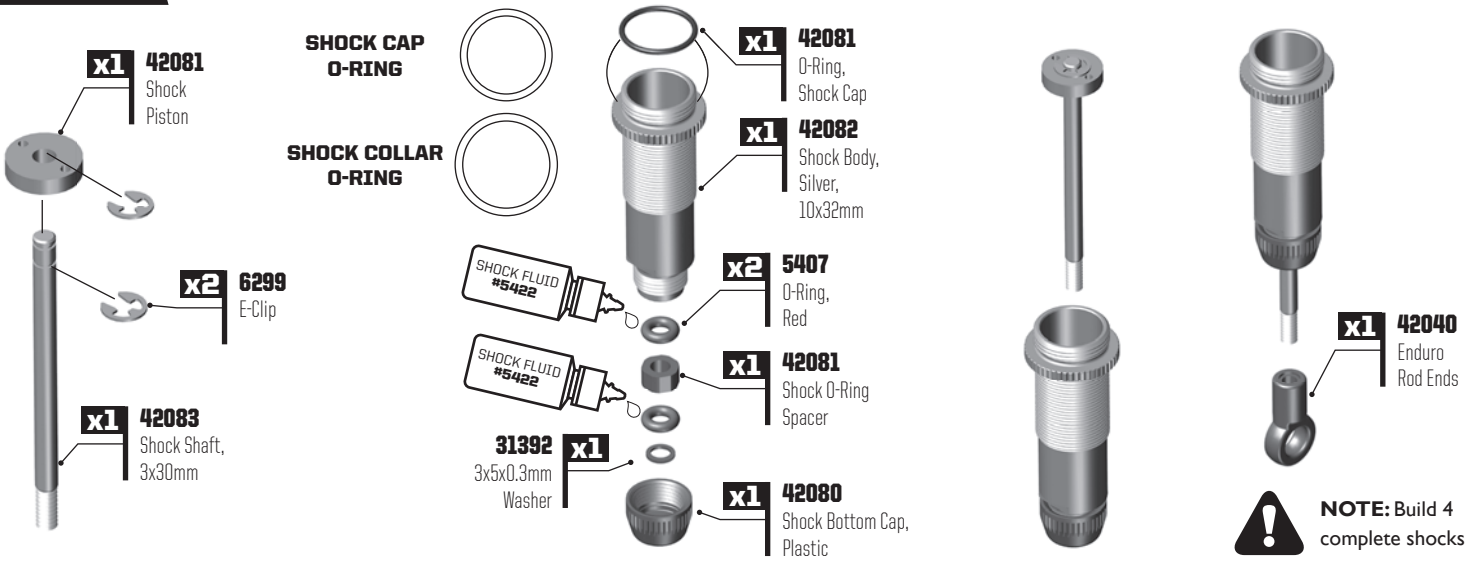
GATE 03 DRIVESHAFT BUILD: BAG 8

NOTE: Install the front drive shaft

NOTE: Install the rear drive shaft



GATE 01 SHOCK BUILD: BAG 9

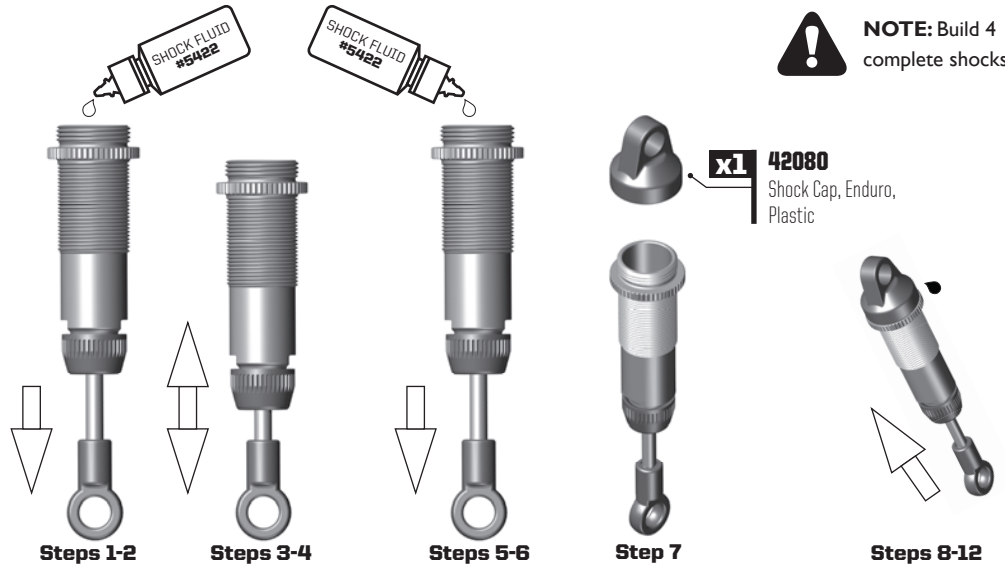


NOTE: Build 4 complete shocks

GATE 02 SHOCK BUILD: BAG 9

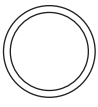
Shock Bleeding Steps:

1. Pull shock shaft down.
2. Fill shock body 3/4 full with shock fluid.
3. Slowly move the shock shaft up and down to remove air from under piston.
4. Wait for bubbles to come to surface.
5. Fill shock body to top with silicone fluid.
6. Place a drop of oil in the cap and on cap threads.
7. Install cap and tighten completely.
8. Slowly compress shaft all the way to the top. If there is pressure at the top of the stroke, there is too much oil or air. You must bleed it out.
9. Slowly pull shaft out.
10. Unscrew the cap 3/4 turn and tilt the shock at a slight angle.
11. Slowly compress the shaft to push out excess oil and air. You should see bubbles coming out from under the cap.
12. With the shaft compressed, tighten the cap and re-check for pressure at the top of the stroke. If there is still pressure, repeat steps 9 thru 11.

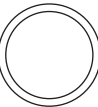


GATE 03 SHOCK BUILD: BAG 9

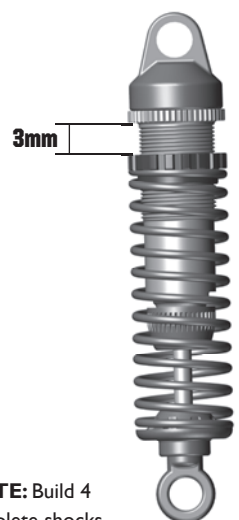
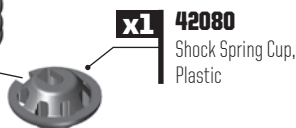
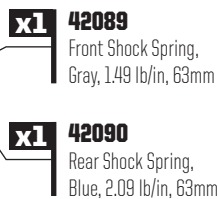
SHOCK CAP O-RING



SHOCK COLLAR O-RING

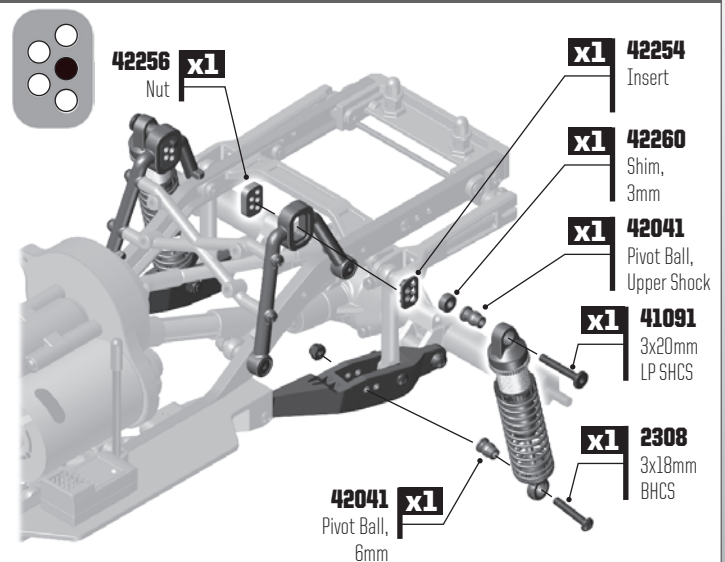
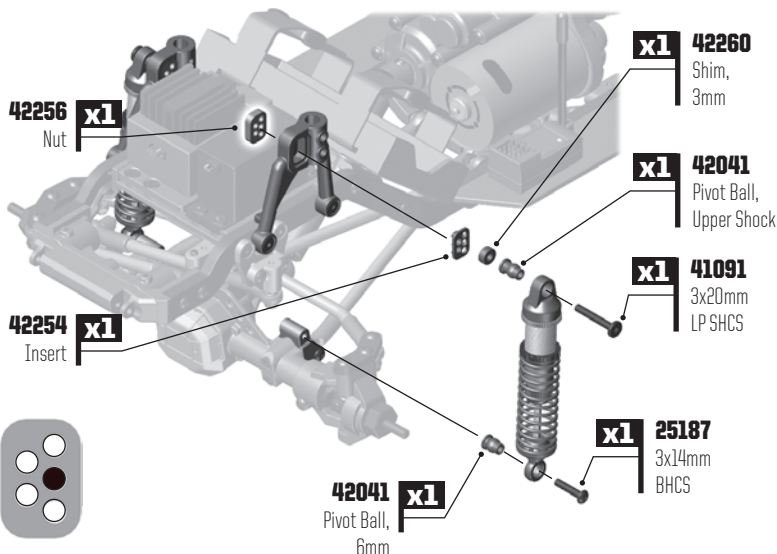


Pro Tip: Use your finger to rub shock fluid on the o-ring for smoother adjustment.

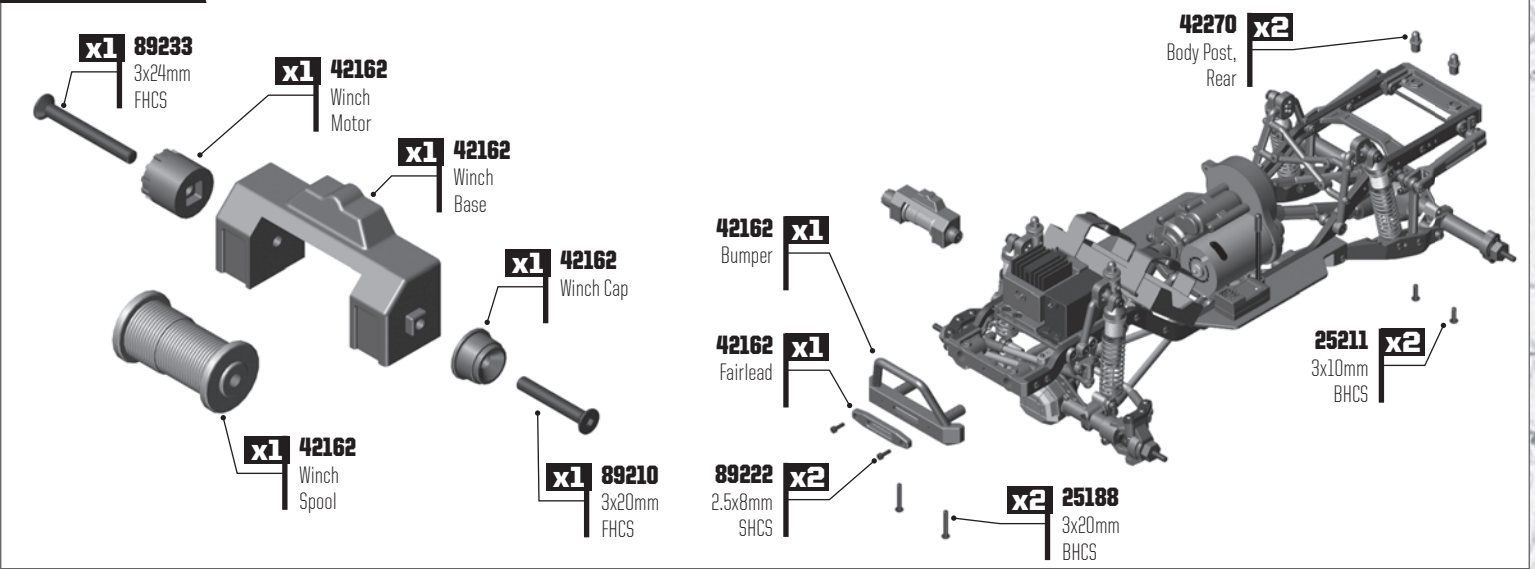


NOTE: Build 4 complete shocks

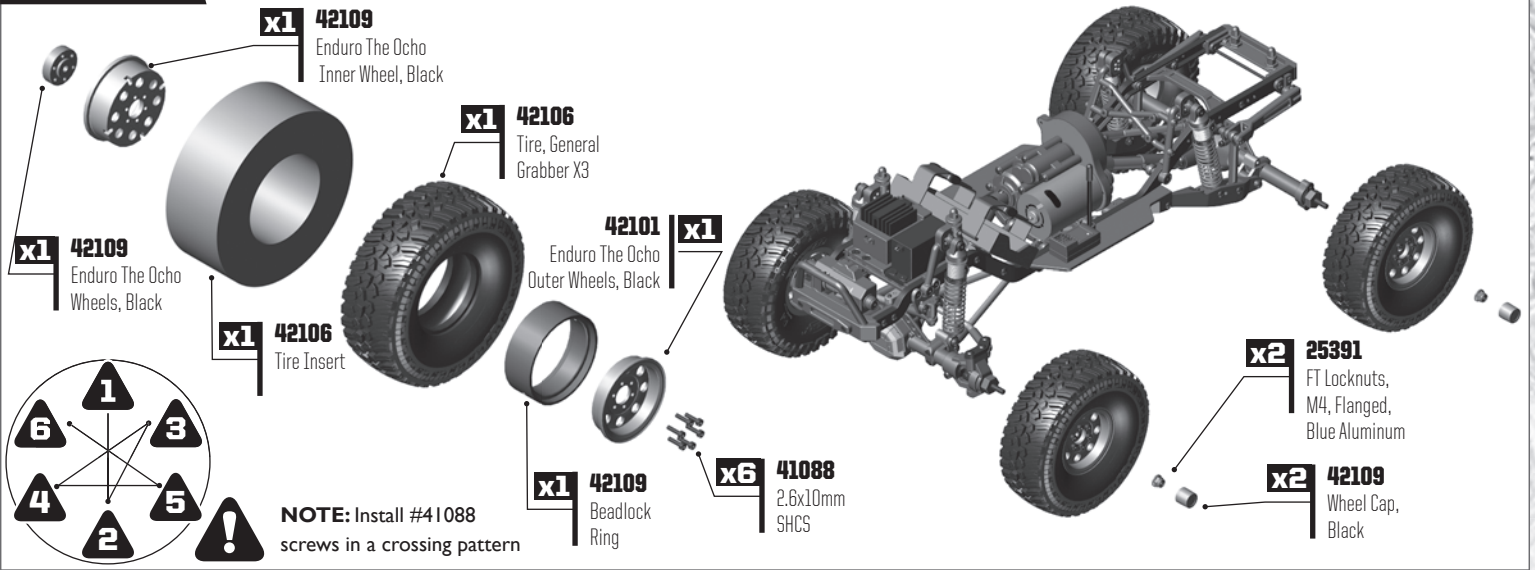
GATE 04 SHOCK BUILD: BAG 9



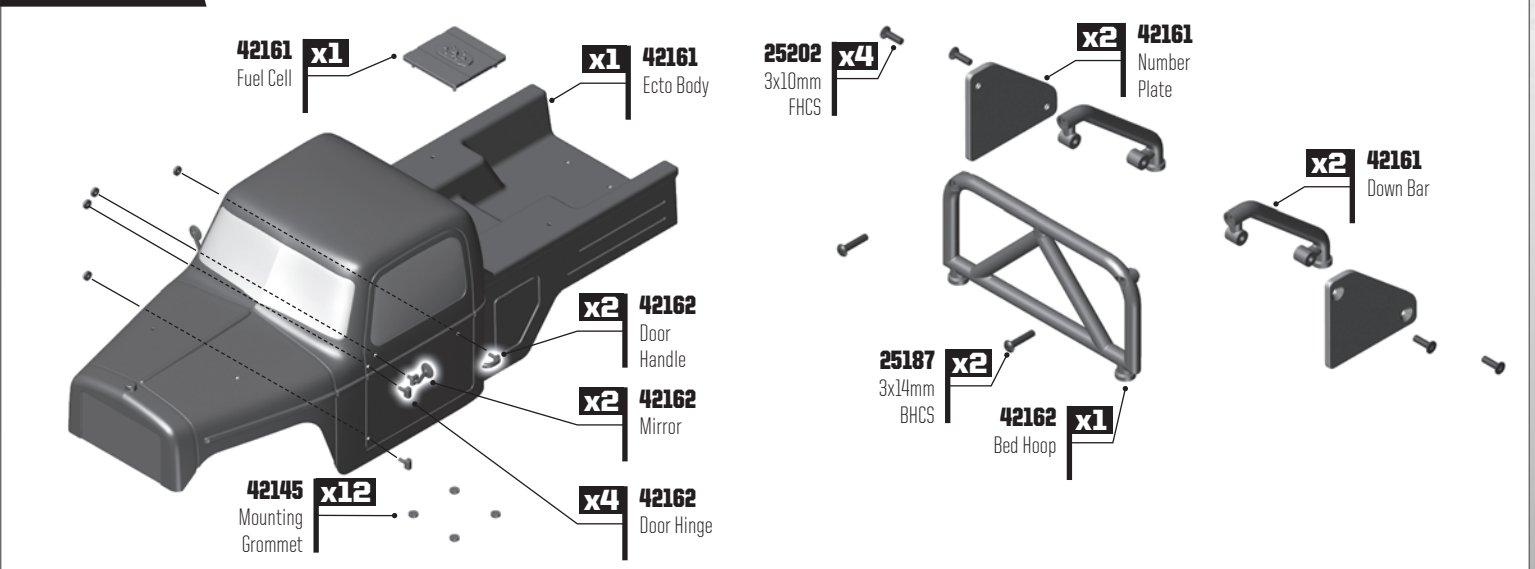
GATE 01 CAGE BUILD: BAG 10



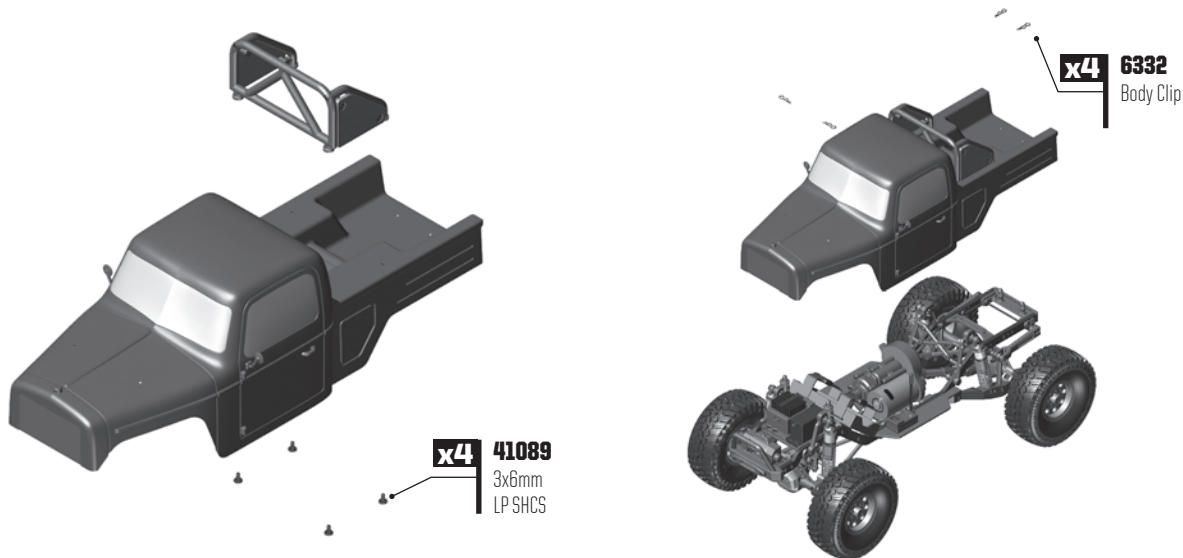
GATE 02 CAGE BUILD: BAG 10



GATE 03 CAGE BUILD: BAG 10

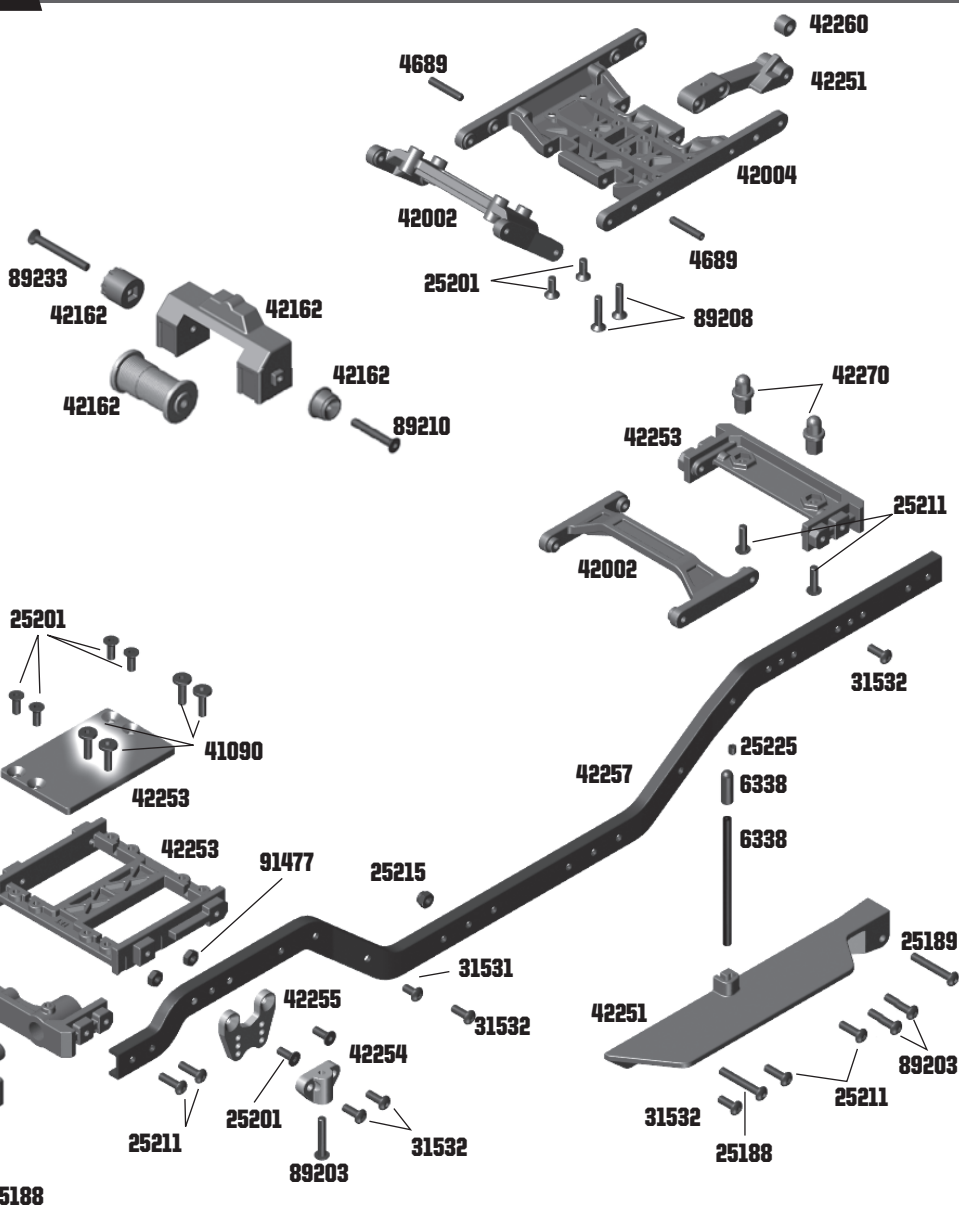


GATE 04 CAGE BUILD: BAG 10



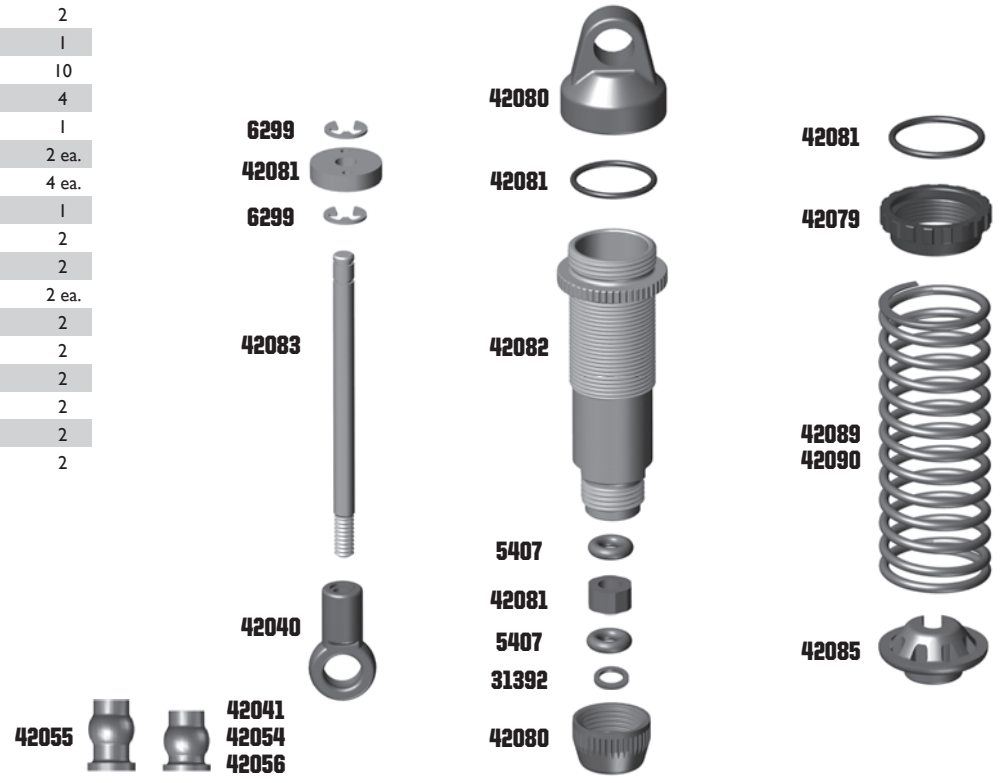
Chassis

4689	M3x16mm Set Screw	10
6338	Antenna Tube and Cap	1
25188	M3x20mm BHCS	10
25189	M3x22mm BHCS	10
25201	M3x8mm FHCS	10
25211	M3x10mm BHCS	10
25215	M3 Locknuts	10
25225	M3x3mm Set Screw	10
31531	M3x6mm BHCS	10
31532	M3x8mm BHCS	10
41090	M3x10mm LP SHCS	10
42002	Enduro Frame Mounting Plates	1 ea.
42004	Enduro Gearbox and Servo Mounts	1 ea.
42011	Frame Mounting Plates, hard	1 ea.
42012	Gearbox and Servo Mount, Hard	1 ea.
42162	Enduro Ecto Body Accessories	1
42251	Gatekeeper Floorboards	1 ea.
42252	Gatekeeper Anti-Roll Bar Set	1
42253	Gatekeeper Bumper Mounts	1 ea.
42254	GateKeeper Pan Hard Mount	1
42255	Gatekeeper Bumper Mounts	1 ea.
42257	Gatekeeper Chassis Rails	1
42260	Gatekeeper Shims	4 ea.
42262	Gatekeeper Bumper Mounts, Hard	1 ea.
42270	Gatekeeper Cage	1
89203	M3x16mm BHCS	10
89208	M3x14mm FHCS	10
89210	M3x20mm FHCS	10
89222	M2.5x8mm SHCS	10
89233	M3x24mm FHCS	10
91477	M3 Nut	10



Shocks

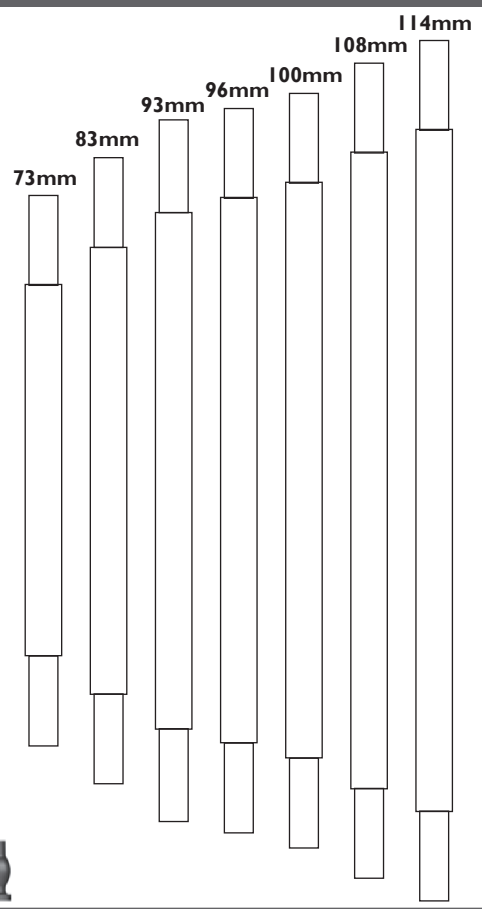
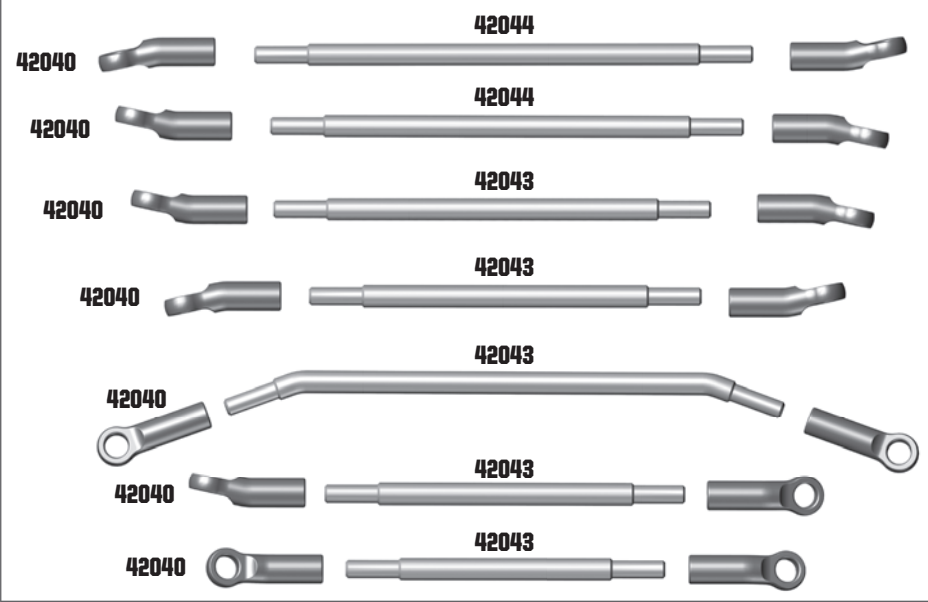
5407	O-Rings, Red, Silicone	8
6299	E-Clipp, 1/8"	12
31392	3x5x0.3mm Washer	10
42040	Enduro Rod Ends	2
42041	Enduro Pivot Balls Set - KIT	1
42054	FT Enduro Pivot Ball, Steel	10
42055	FT Enduro Shock Bushing, Steel	4
42056	FT Enduro Pivot Ball Set, Steel, Set (28)	1
42079	Enduro Shock Parts, Black Aluminum	2 ea.
42080	Enduro Shock Parts	4 ea.
42081	Enduro Shock Internals	1
42082	Enduro Shock Body, Silver, 10x32mm - KIT	2
42083	Enduro Shock Shaft, 3x30mm	2
42085	Enduro Shock Parts, Blue Aluminum	2 ea.
42086	FT Enduro Shock Body, Bronze, 10x32mm	2
42087	Shock Spring, Green 0.71 lb/in, 63mm Long	2
42088	Shock Spring, White, 0.95 lb/in, 63mm Long	2
42089	Shock Spring, Gray, 1.49 lb/in, 63mm Long - KIT	2
42090	Shock Spring, Blue, 2.09 lb/in, 63mm Long	2
42091	Shock Spring, Yellow, 2.47 lb/in, 63mm Long	2



Tie Rods/Links

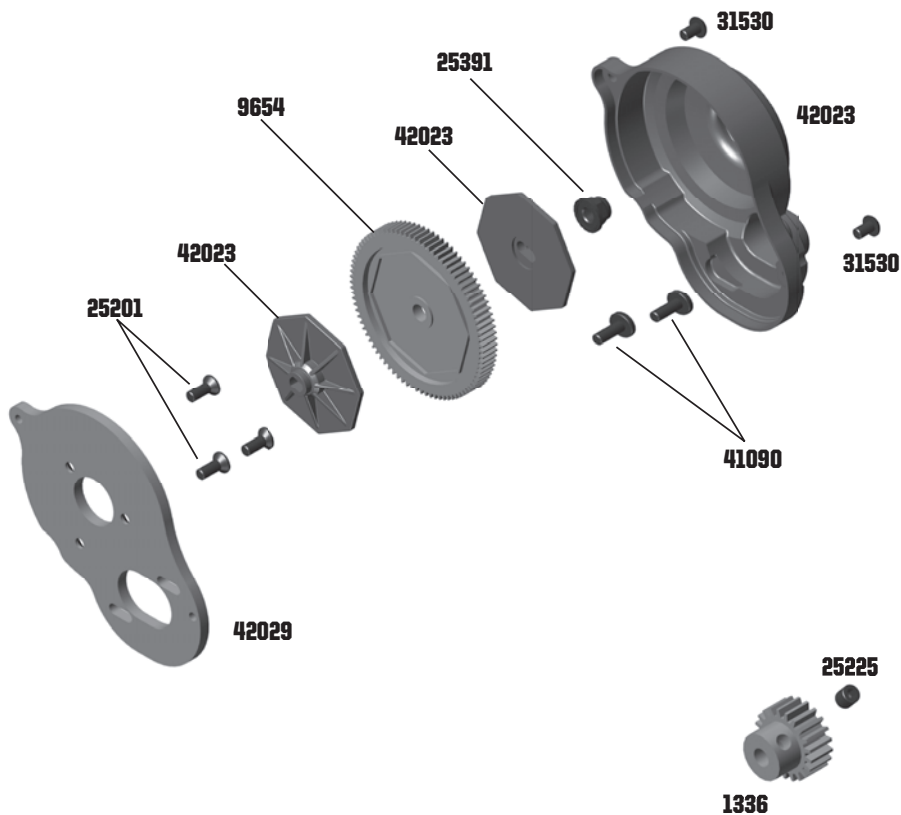
42040	Enduro Rod Ends	1
42041	Enduro Pivot Balls Set	1
42043	Enduro Front Links Set (Steering, 73mm, 83mm, 90mm, 100mm)	1
42044	Enduro Rear Links Set (96mm, 100mm, 108mm, 114mm)	1
42054	FT Enduro Pivot Balls, Steel	10
42055	FT Enduro Shock Bushings, Steel	4
42056	FT Enduro Pivot Balls, Steel, Set (28)	1

Wheelbase (in/mm)	Upper Length	Lower Length
11.8" / 299.7mm	3.78" / 96mm	3.93" / 100mm
12" / 304.8mm	3.93" / 100mm	4.05" / 108mm
12.3" / 312.4mm	4.25" / 108mm	4.45" / 114mm



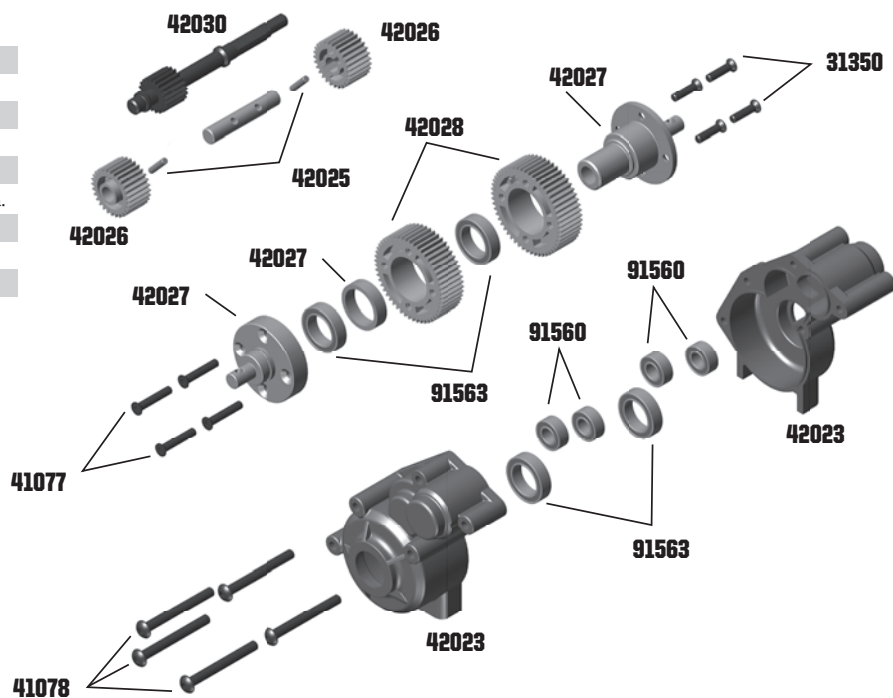
Motor Mount

1336	18T 48P Aluminum Pinion	1
9654	Spur Gear, 87T, 48P	1
25201	M3x8mm FHCS	10
25225	M3x3mm Set Screw	10
25391	FT M4 Locknuts, Blue	10
31530	M3x5mm BHCS	10
41090	M3x10mm LP SHCS	10
42023	Stealth X Gearbox (Case, Gear cover, Spur Gear Hubs)	1
42029	Stealth X (Motor Plate)	1



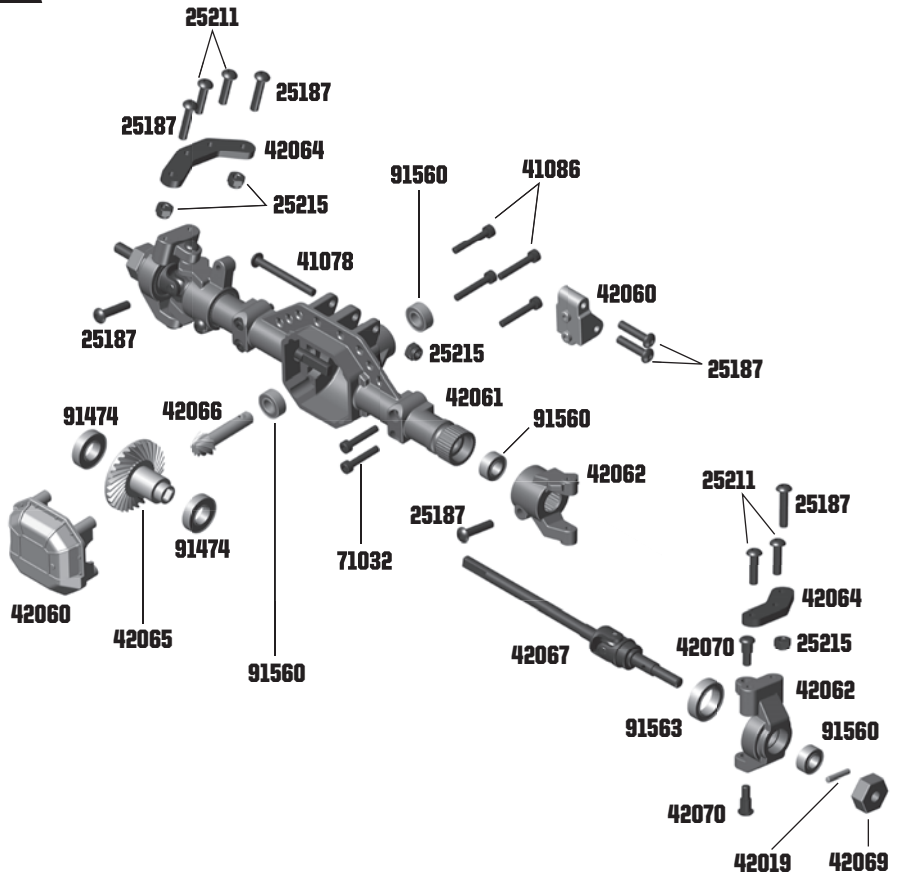
Transmission

31350	M2.5x10mm FHCS	10
41077	M2.5x14mm FHCS	10
41078	M3x28mm BHCS	10
42023	Stealth X Gearbox (Case, Spur Gear Hubs, Gear Cover)	1
42025	Stealth X Idler Shaft, Idler Shim, Pins	1
42026	Stealth(R) X Idler Gear Set	1
42027	Stealth X Outdrives	1
42028	Stealth(R) X Drive Gear Set	1
42030	Stealth X Top Shaft (Stock Gearbox)	1
42031	FT Stealth X Idler Gear, Machined (26T, 27T, 28T)	1 ea.
42032	FT Stealth X Drive Gear Set, Machined	1
91560	FT Bearings, 5x10x4mm	4
91563	FT Bearings, 10x15x4mm	4



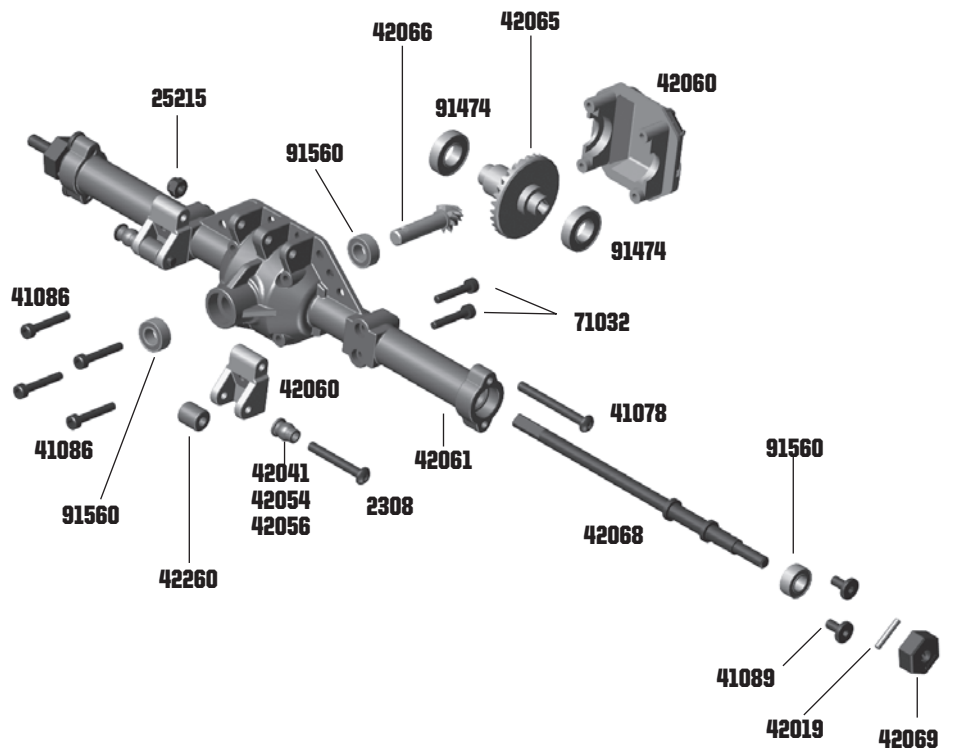
Front Axle

25187	M3x14mm BHCS	10
25211	M3x10mm BHCS	10
25215	M3 Locknut	10
25225	M3x3mm Set Screw	10
41078	M3x28mm BHCS	10
41086	M2.5x16mm SHCS	10
42019	Enduro 2x11mm Pin	10
42060	Enduro Diff Cover and Lower 4-Link Mounts	1
42061	Enduro Axle Housing (Front, Rear)	1 ea.
42062	Enduro Caster Blocks and Steering Blocks	1 ea.
42064	Enduro Steering Block Arms	1 ea.
42065	Enduro Ring Gear, 30T	1
42066	Enduro Pinion Gear, 8T	1
42067	Enduro Front Universal, Driveshaft, 80mm	2
42069	Enduro Wheel Hex, 6mm, Steel	4
42076	FT Enduro Wheel Hex, 6mm, Steel	4
42070	Enduro Shoulder Screw (M3x10mm)	6
71032	M2.5x14mm SHCS	10
91474	FT Bearings, 7x14x3.5mm	4
91560	FT Bearings, 5x10x4mm	4
91563	FT Bearings, 10x15x4mm	4



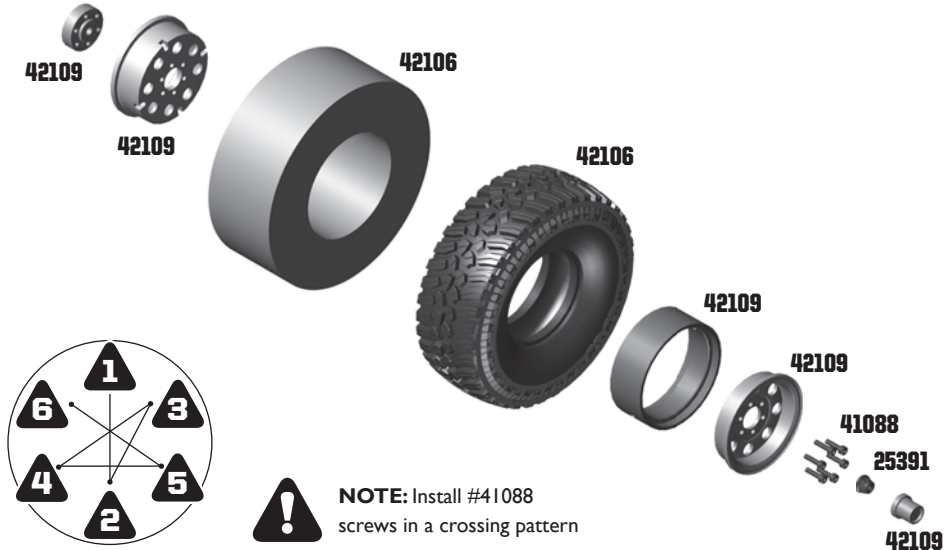
Rear Axle

230	M3x18mm BHCS	10
25215	M3 Locknut	10
41078	M3x28mm BHCS	10
41086	M2.5x16mm SHCS	10
41089	M3x6mm LP SHCS	10
42019	Enduro 2x11mm Pin	10
42041	Enduro Pivot Balls Set	1
42054	FT Enduro Pivot Balls, Steel	10
42056	FT Enduro Pivot Balls, Steel, Set (28)	1
42060	Enduro Diff Cover and Lower 4-Link Mounts	1
42061	Enduro Axle Housing (Front, Rear)	1 ea.
42065	Enduro Ring Gear, 30T	1
42066	Enduro Pinion Gear, 8T	1
42068	Enduro Rear Drive Shaft, 80mm	2
42069	Enduro Wheel Hex, 6mm, Steel	4
42071	Diff Cover and Lower 4-Link Mounts, Hard	1
42072	Enduro Axle Housing, Hard (Front, Rear)	1 ea.
42076	FT Enduro Wheel Hex, 6mm, Steel	4
42260	Gatekeeper Shims	4 ea.
71032	M2.5x14mm SHCS	10
91474	FT Bearings, 7x14x3.5mm	4
91560	FT Bearings, 5x10x4mm	4



Wheel/Tire

25391	FT M4 Locknuts, Blue	10
41088	M2.6x10mm	10
42100	Enduro Method 701 Trail Series Wheel, 1.9" Bronze	4
42101	Enduro Method 701 Trail Series Wheel, 1.9" Black	4
42102	FT Enduro Beadlock Rings, Brass	4
42103	FT Enduro Beadlock Hex Adapter, Aluminum	4
42104	FT Enduro Beadlock Hex Adapter, Brass	4
42105	FT Tire Insert, 1.9"	2
42106	General Grabber X3 Tire w/Inserts, (1.9x4.65" DIA)	2
42107	General Grabber A/T X Tires w/Inserts, (1.55x3.85" DIA)	2
42108	Enduro The Ocho Wheels, 1.90", Silver	4
42109	Enduro The Ocho Wheels, 1.90", Black	4
42110	Enduro Trigon Wheels, 1.55", Silver	4
42111	Enduro Trigon Wheels, 1.55", Black	4



PINIONS / SPUR GEARS

1335	17T 48P Aluminum Pinion Gear	1
1336	18T 48P Aluminum Pinion Gear	1
1337	19T 48P Aluminum Pinion Gear	1
1338	20T 48P Aluminum Pinion Gear	1
1339	21T 48P Aluminum Pinion Gear	1
1340	22T 48P Aluminum Pinion Gear	1
1341	23T 48P Aluminum Pinion Gear	1
1342	24T 48P Aluminum Pinion Gear	1
1343	25T 48P Aluminum Pinion Gear	1
1344	26T 48P Aluminum Pinion Gear	1
1345	27T 48P Aluminum Pinion Gear	1
9652	78T 48P Spur Gear	1
9653	84T 48P Spur Gear	1
9654	87T 48P Spur Gear (Kit)	1

OPTION PARTS

42010	Enduro Bumper Mounts, Hard	1
42013	Enduro Shock Mount Set, Hard	1
42014	Enduro Floor Board, Receiver Box, Hard	1
42015	Enduro Rock Slider, Hard	1
42024	Stealth X Gearbox Top Shaft, Inverse Gearbox	1
42031	FT Stealth X Gearbox Idler Gear Set, Machined	1
42032	FT Stealth X Gearbox Drive Gear Set, Machined	1
42033	FT Stealth X Spur Gear Hub, Aluminum	2
42034	Stealth X Gearbox, Complete	1
42054	FT Pivot Ball, Steel (6mm)	10
42055	FT Pivot Ball, Shock Bushing, Steel	4
42058	FT Enduro Ring Gear Spool	1
42059	FT Enduro Ring Gear, Machined 30T	1
42071	Enduro Diff Cover and Lower 4-Link Mounts, Hard	1
42072	Enduro Axle Housing (Front, Rear), Hard	1 ea
42073	Enduro Caster and Steering Blocks, Hard	1
42076	FT Enduro Wheel Hex, 6mm (w/Set Screw) Steel	4
42077	Enduro Axle Kit, Complete (Builds either 1 front or 1 rear axle)	1
42078	FT Enduro Shock Set, 10x90mm	1
42103	FT Enduro Beadlock Hex Adapters, Aluminum	4
42104	FT Enduro Beadlock Hex Adapters, Brass	4

BODIES & DECALS

727	Reedy 2020 Sticker Sheet	1
5407	O-Rings, Red, Silicone	8
6332	Body Clips	10
7187	M2x8mm SHCS	10
21173	Body Clips, Small	10
25203	M3x12mm FHCS	10
31509	M2x3mm BHCS	10
31531	M3x6mm BHCS	10
41079	M2.5x6mm SHCS	10
42120	Sendero Body Set, Clear (with Black Body Accessories)	1
42121	Sendero Body, Clear (Cab, Bed, Window Masks)	1
42122	Sendero Body Decal Sheet	1
42123	Sendero Body Accessories, Black	1
42124	Sendero Body Accessories, Chrome	1
42125	Sendero Body Accessories, Satin Chrome	1
42126	Sendero Bumpers (Front, Rear, and Fairlead), Black	1
42127	FT Sendero Fairlead, Aluminum	1
42128	FT Sendero Fairlead, Gunmetal Aluminum	1
42129	FT Sendero Fairlead, Green Aluminum	1
42130	FT Sendero Fairlead, Blue Aluminum	1
42132	Sendero Inner Fenders	1
42133	Element Decal Sheet	1
42160	Enduro Ecto Body Set, RTR	1
42161	Enduro Ecto Body Set, Clear	1
42162	Enduro Ecto Body Accessories	1
42163	Enduro Ecto Decal Sheet	1

XP / AE ELECTRONICS

29204	AE XP-R4 2.4GHz 4CH Receiver	
	AE XP130 2.4GHz 3CH Radio System	
29262	ESS-One+ 2017 Engine Sound System	
29263	ESS-Dual+ Engine Sound System	
29264	ESS-Air Engine Sound System	
29265	XP Police Light Bar, 1:10 Scale	
29266	XP LED RC Light Kit (12 LED's)	
29267	XP LED Roof Light Kit (4 LED's)	
29268	XP LED Roof Light Kit (6 LED's)	
29272	XP 5 LED Aluminum Light Bar, 88mm	
29273	XP 7 LED ALuminum Light Bar, 120mm	
29274	XP 10 LED Aluminum Light Bar, 170mm	
29275	XP LED Light Bar Hardware	
29277	XP Head and Tail Light Kit	
29279	XP LED Rock Light Set, 150mm	
29290	XP DSV System	

REEDY ELECTRONICS

MOTORS

27424	Reedy Radon2 Crawler 16T 5-Slot 1850kV Brushed Motor	
27430	Reedy Crawler 540 16T 5-Slot RTR Brushed Motor	
27431	Reedy Radon2 Crawler 12T 5-Slot 2700kV Brushed Motor	
27432	Reedy Radon2 Crawler 20T 5-Slot 1500kV Brushed Motor	
27433	Reedy Radon 2 Brush/Spring Set	
27434	Reedy Radon 2 Wire Set	
27461	Reedy Crawler 550 14T 5-Slot RTR Brushed Motor	

COMPETITION ESC's (SPEED CONTROLLERS)

27011	Reedy SC480X Brushed Crawler ESC	
27034	Reedy SC480X Program Card	

SPORT ESC's (SPEED CONTROLLERS)

29198	Reedy SC400 Brushed ESC w/Crawler Mode	
29199	Reedy SC400X Brushed Crawler ESC	

SERVOS & SERVO ACCESSORIES

27116	RC2312 Digital HV Competition Crawler Servo	
27122	Reedy Aluminum Servo Horn (25)	
27123	Reedy Aluminum Clamping Servo Horn (25)	
27140	RC2312 Gear Set	
27141	RC2312 Case Set	
27150	1320MG Digital RTR Servo	
27151	RC4020A Gear Set	

REEDY ACCESSORIES

643	Low Profile Bullet Plug 4mm x 14mm (2)	
644	Low Profile Bullet Plug 4mm x 14mm (10)	
645	Low Profile Bullet Plug 5mm x 14mm (2)	
646	Low Profile Bullet Plug 5mm x 14mm (10)	
647	Silicone Wire 12AWG-Black (1m)	
648	Silicone Wire 14AWG-Black (1m)	
650	Shrink Tubing - 15pcs 4.5mm x 20mm	
747	Silicone Wire 12AWG-Black (30m)	
790	Silicone Wire 13AWG-Black (1m)	
791	Silicone Wire 13AWG-Black (30m)	
792	Low Profile Caged Bullet Plug 4mm x 14mm (2)	
794	Low Profile Caged Bullet Plug 5mm x 14mm (2)	
27304	LiPo Battery Weight Set - Shorty	
27355	Shorty Battery Weight Set - 20g, 34g, 50g	
27356	Stick Battery Weight Set - 29g, 39g, 48g	

REEDY BATTERIES / CHARGERS

BATTERIES

302	AA Alkaline 1.5V (4)	
758	Wolfpack LiPo 3000mAh 30C 7.4V w/T-Plug	
759	Wolfpack LiPo 3000mAh 30C 11.1V w/T-Plug	
27313	LiPo Pro TX/RX 2400mAh 7.4V Flat	
27315	LiFe Pro TX/RX 1600mAh 6.6V Flat	
27318	Wolfpack HV LiPo 50C 4200mAh 7.6V Shorty	
27363	Zappers SG4 6100mAh 85C 7.6V Shorty	
27364	Zappers SG4 4800mAh 115C 7.6V Shorty	
27365	Zappers SG4 4100mAh 85C 7.6V LP Shorty	
27366	Zappers SG4 3600mAh 115C 7.6V LP Shorty	

CHARGERS

27201	324-S AC LiPo/LiFe Compact Balance Charger	
27202	123-S AC LiPo Compact Balance Charger	
27203	1416-C2L Dual AC/DC Competition Battery Charger	

CHARGER ACCESSORIES

27220	Reedy 7-in-1 Universal Charge Lead (4mm)	
27221	Reedy T-plug Charge Lead (4mm)	
27222	Reedy XH 2-6S Balance Board (4mm)	
27223	Reedy RX Charger Lead FUT (4mm)	
27224	Reedy US to IEC 320 C5 angle 1M AC Power Cord	
27226	Reedy EU to IEC 320 C5 angle 1M AC Power Cord	
27233	Reedy 1-2S 4mm/5mm Pro Charge Lead	
27234	Reedy 4S 5mm Pro Charge Lead	
27235	Reedy 2S RX/TX Pro Charge Lead	
27236	Reedy 2S-4S T-plug Pro Charge Lead	
27237	Reedy 2S-4S XT60 Pro Charge Lead	

SHOCK FLUIDS

5420	10 Weight Silicone Shock Fluid	2oz.
5421	20 Weight Silicone Shock Fluid	2oz.
5422	30 Weight Silicone Shock Fluid	2oz.
5423	40 Weight Silicone Shock Fluid	2oz.
5424	22.5 Weight Silicone Shock Fluid	2oz.
5425	80 Weight Silicone Shock Fluid	2oz.
5426	27.5 Weight Silicone Shock Fluid	2oz.
5427	15 Weight Silicone Shock Fluid	2oz.
5428	25 Weight Silicone Shock Fluid	2oz.
5429	35 Weight Silicone Shock Fluid	2oz.
5430	45 Weight Silicone Shock Fluid	2oz.
5431	55 Weight Silicone Shock Fluid	2oz.
5432	32.5 Weight Silicone Shock Fluid	2oz.
5433	37.5 Weight Silicone Shock Fluid	2oz.
5434	42.5 Weight Silicone Shock Fluid	2oz.
5435	50 Weight Silicone Shock Fluid	2oz.
5436	60 Weight Silicone Shock Fluid	2oz.
5437	70 Weight Silicone Shock Fluid	2oz.
5438	47.5 Weight Silicone Shock Fluid	2oz.

LUBES & ADHESIVES

1105	FT Green Slime Shock Lube	
1596	FT Locking Adhesive	
1597	FT Tire Adhesive, medium	
6588	Black Grease - 4cc	
6591	S.Diff Lube - 4cc	
6636	Silicone Grease - 4cc	
6727	Servo Tape	2

APPAREL / PROMOTIONAL

TEE SHIRTS

SP124*	AE 2017 Worlds Tee, Black (S, M, L, XL-5XL)	I
SP126*	Team Associated Tri T-Shirt, Black (S, M, L, XL-5XL)	I
SP140*	Reedy Heritage Tee, Black (S, M, L, XL-5XL)	I
SP200*	Element RC Logo Tee, Gray (S, M, L, XL-5XL)	I
SP201*	Element RC Rhombus Tee, Black (S, M, L, XL-5XL)	I
97000	Reedy S20 T-Shirt S	I
97001	Reedy S20 T-Shirt M	I
97002	Reedy S20 T-Shirt L	I
97003	Reedy S20 T-Shirt XL	I
97004	Reedy S20 T-Shirt XXL	I
97005	Reedy S20 T-Shirt XXXL	I

HOODIES/JACKETS

SP142*	Reedy W19 Hoodie - Black (S, M, L, XL-3XL)	I
SP230*	Element RC Zip Up, Black (S, M, L, XL-5XL)	I
SP231*	Element RC Hoodie, Black (S, M, L, XL-5XL)	I
SP250*	Element RC Jacket, Black (S, M, L, XL-2XL)	I
97012	Reedy W20 Pullover - Black S	I
97013	Reedy W20 Pullover - Black M	I
97014	Reedy W20 Pullover - Black L	I
97015	Reedy W20 Pullover - Black XL	I
97016	Reedy W20 Pullover - Black XXL	I
97017	Reedy W20 Pullover - Black XXXL	I

HATS

SP20	AE Patch Trucker Hat	I
SP430	Reedy Trucker Hat 2018	I
SP260	Element RC Hat, Curved Bill, Black	I
SP261	Element RC Hat, Flat Bill, Black	I
SP262	Element RC Beanie, Black	I

BANNERS/MATS CARRIERS

SP29	Team Associated Countertop/Setup Mat	I
SP30	Team Associated Pit Mat	I
SP31	Reedy Countertop/Setup Mat	I
SP115	Reedy Circuit Cloth Banner	I
SP116	Reedy Power Vinyl Banner, 48x24	I
SP117	Reedy Power Cloth Banner, 96x24	I
SP118	Reedy Power Cloth Banner, 48x24	I
SP280	Element RC Counter Top Mat	I
SP281	Element RC Pit Mat	I
SP282	Element RC Pit Towel	I
SP425	FT Fluid Carrier	I
SP426	Team Associated Countertop / Setup Mat	I
SP439	Reedy Countertop / Setup Mat	I
I10684	Team Associated Track Banner	I
I10685	Team Associated Cloth Banner	I

TOOLS

I111	FT Turnbuckle Wrench	I
I112	FT 4mm Turnbuckle Wrench	I
I114	FT Dual Turnbuckle Wrench	I
I449	Off Road Ride Height Gauge	I
I452	FT TC Ride Height Gauge	I
I498	FT Universal Tire Balancer	I
I499	FT Body Reamer	I
I500	FT 1.5mm Hex Driver	I
I501	FT 2.0mm Hex Driver	I
I502	FT 2.0mm Ball Hex Driver	I
I503	FT 2.5mm Hex Driver	I
I504	FT 2.5mm Ball Hex Driver	I
I505	FT 3.0mm Hex Driver	I
I506	FT 5.0mm Hex Driver	I
I507	FT 5.5mm Nut Driver	I
I508	FT 7.0mm Nut Driver	I
I510	FT 1.5mm Hex Replacement Tip	I
I511	FT 2.0mm Hex Replacement Tip	I
I512	FT 2.0mm Ball Replacement Tip	I
I513	FT 2.5mm Hex Replacement Tip	I
I514	FT 2.5mm Ball Replacement Tip	I
I515	FT 3.0mm Hex Replacement Tip	I
I518	FT HEX Driver Tool Set (3pcs)	I
I519	FT Hex/Nut Driver Tool Set (5pc)	I
I522	FT Digital Scale, 100/0.01g	I
I555	FT Clutch Gauge, 4 Shoe	I
I568	FT 5.5mm Short Nut Driver	I
I569	FT 7mm Nut Driver, T-Handle	I
I570	FT 5.5mm Short Nut Driver	I
I571	FT 1:8 Wheel Nut Wrench, 17mm Hex	I
I579	FT Ball Cup Wrench - (will not work on Enduro rod ends)	I
I595	Chassis Weights, 1/4 oz	I
I650	7 Piece Hex Driver Set	I
I657	FT 1/4" Hex Drive .050" Tip	I
I658	FT 1/4" Hex Drive 1/16" Tip	I
I659	FT 1/4" Hex Drive 5/64" - 2.0mm Tip	I
I660	FT 1/4" Hex Drive 3/32" Tip	I
I661	FT 1/4" Hex Drive 1.5mm Tip	I
I662	FT 1/4" Hex Drive 2.5mm Tip	I
I666	FT 1/4" Hex Drive 5.5mm Nut Driver Tip	I
I667	FT 1/4" Hex Drive 7.0mm Nut Driver Tip	I
I668	FT 1/4" Hex Drive 8.0mm Nut Driver Tip	I
I673	FT 1/4" Hex Drive 2.5mm Ball End Tip	I
I674	FT 1/4" 5 Piece Power Tool Tips Set (5/64-2.0mm, 1.5mm, 2.5mm, 5/64" - 2.0mm ball, 2.5mm ball)	I
I675	FT Shock Shaft Pliers	I
I679	FT T-Handle Ratchet Driver	I
I719	FT Camber + Track Width Tool	I
I737	FT Body Scissors	I
3718	12 Inch Nylon Wire Ties	12
3720	8 Inch Nylon Wire Ties	12
3987	FT Droop Gauge	I
7709	4 Inch Nylon Wire Ties	12
89240	RC8 FT Turnbuckle Wrench	I

* Use part number plus the desired size when ordering!

GATE 01**STEALTH X: BUILD CONFIGURATION: MOTOR MOUNT FACING REAR (STOCK)****OVERDRIVE:**

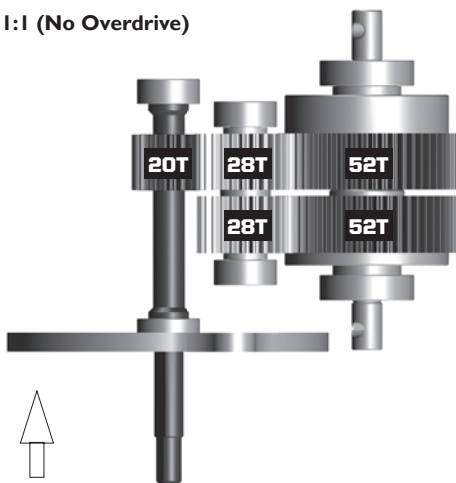
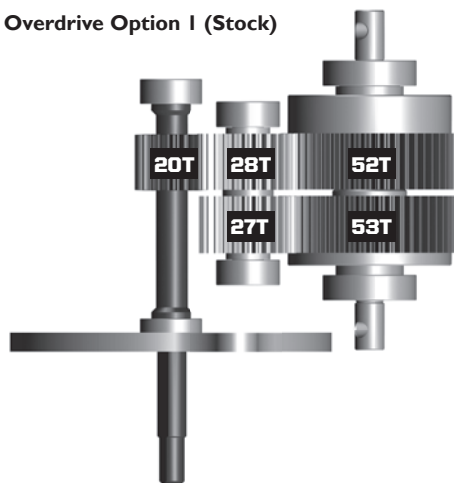
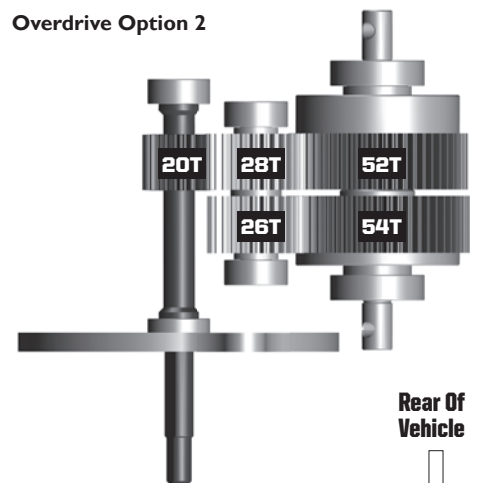
Overdrive is a scenario where the front and rear wheels do not rotate at the same speed. The Stealth X gearbox is designed to allow the front wheels to spin faster than the rear wheels. Overdrive is advantageous when climbing up rock faces because the front tires will want to pull the vehicle up the rock. On descents, the rear tires rotating slower than the front tires will help keep the chassis more stable and keep the rear tires planted on the ground.

Stealth X:

The Stealth X gearbox allows the driver to change the front-to-rear drive ratios with 3 separate ratio adjustments to the rear drive shaft. The driver has the option to flip the gearbox direction (motor mount facing the front). The optional inverse top shaft (#42024) is required.

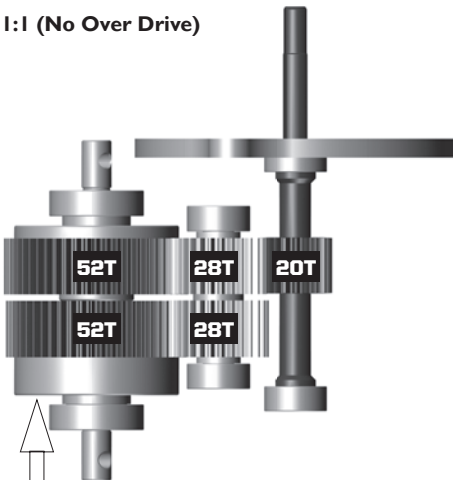
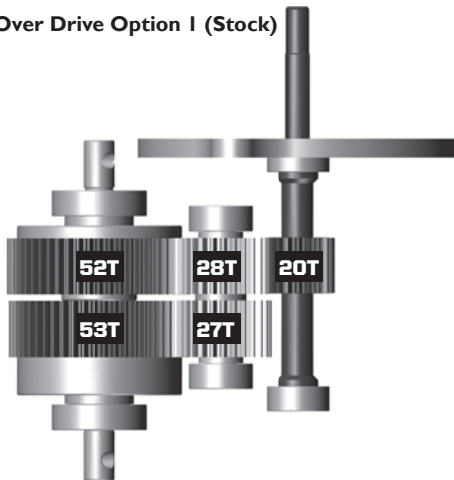
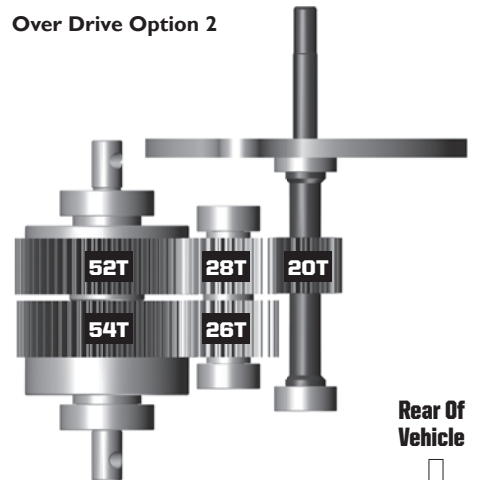
Please Note:

The 20T top shaft, 28T idler gear, and 52T drive gear will always be meshed together in all 6 gearbox configurations.

GATE 02**STEALTH X: BUILD CONFIGURATION: MOTOR MOUNT FACING REAR (STOCK)****1:1 (No Overdrive)****Overdrive Option 1 (Stock)****Overdrive Option 2**

Front Of Vehicle

Rear Of Vehicle

GATE 03**STEALTH X: BUILD CONFIGURATION: MOTOR MOUNT FACING FRONT (OPTIONAL - REQUIRES #42024 - TOP SHAFT)****1:1 (No Over Drive)****Over Drive Option 1 (Stock)****Over Drive Option 2**

Front Of Vehicle

Rear Of Vehicle

TRAIL TIPS AND CHECKLIST

PREPARING TO HIT THE TRAIL:

When preparing to hit the trail, it's a good idea to have a checklist to make sure you have everything and don't end up having to head back early. We've compiled a checklist of the things we think you'll need on the trail. We've also left some space for you to add your specific items to the list. Keep in mind these are suggestions and every person will require different items. Weather and altitude will also dictate how much food and water a person will require. Do a little research first before heading out for a full day on the trail.

- Vehicle with charged battery
- 1-2 spare charged batteries for your rig
- Radio with charged batteries
- Spare radio batteries
- Check all nuts and screws and tighten them. Including wheel nuts!
- Spare parts (nuts, screws, body clips, and anything that may wear or break)
- Backpack
- Water (2 liters per person minimum)
- Snacks (protein bars, trailmix, etc.)
- Sturdy shoes (Hiking boots preferably or something with grip and ankle support)
- Element hat or beanie
- Element hoodie or jacket
- Sunscreen
- Bug spray
- Lip balm
- Nut drivers (Factory Team Nut Drivers #1507, 1508)
- Allen wrenches (Factory Team Hex Driver set #1655)
- Cell phone and charger
- Headlight or flashlight with spare batteries
- Compact action camera
- Camera
- Tripod
- _____
- _____
- _____
- _____
- _____
- _____

TREAD LIGHTLY:

Remember, when driving your rig out on the trails, it's important to tread lightly. We all know that the best place to enjoy our hobby is out in nature, and that means we need to preserve it for future hobbyist so we all have a place to enjoy. Here are a few tips to remember when out on the trail.

• Pack In/Pack Out:

Don't leave anything behind. Whether it's trash, parts, or food. If you brought it, take it with you.

• National and Public Parks:

If visiting a national park, leave the RC cars at home. It is illegal to drive any radio-control vehicle within national park boundaries. Public parks are slightly different, some may allow radio-control vehicles and others may not.

Check with your local officials before driving in a public park.

• Be Considerate:

Wherever you drive your radio-control car, always be considerate of others. Hikers, bicyclists, and animals should always be given the right of way.

• Keep It Quiet:

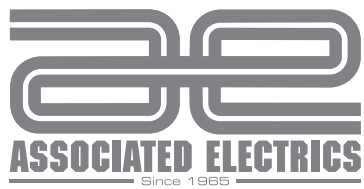
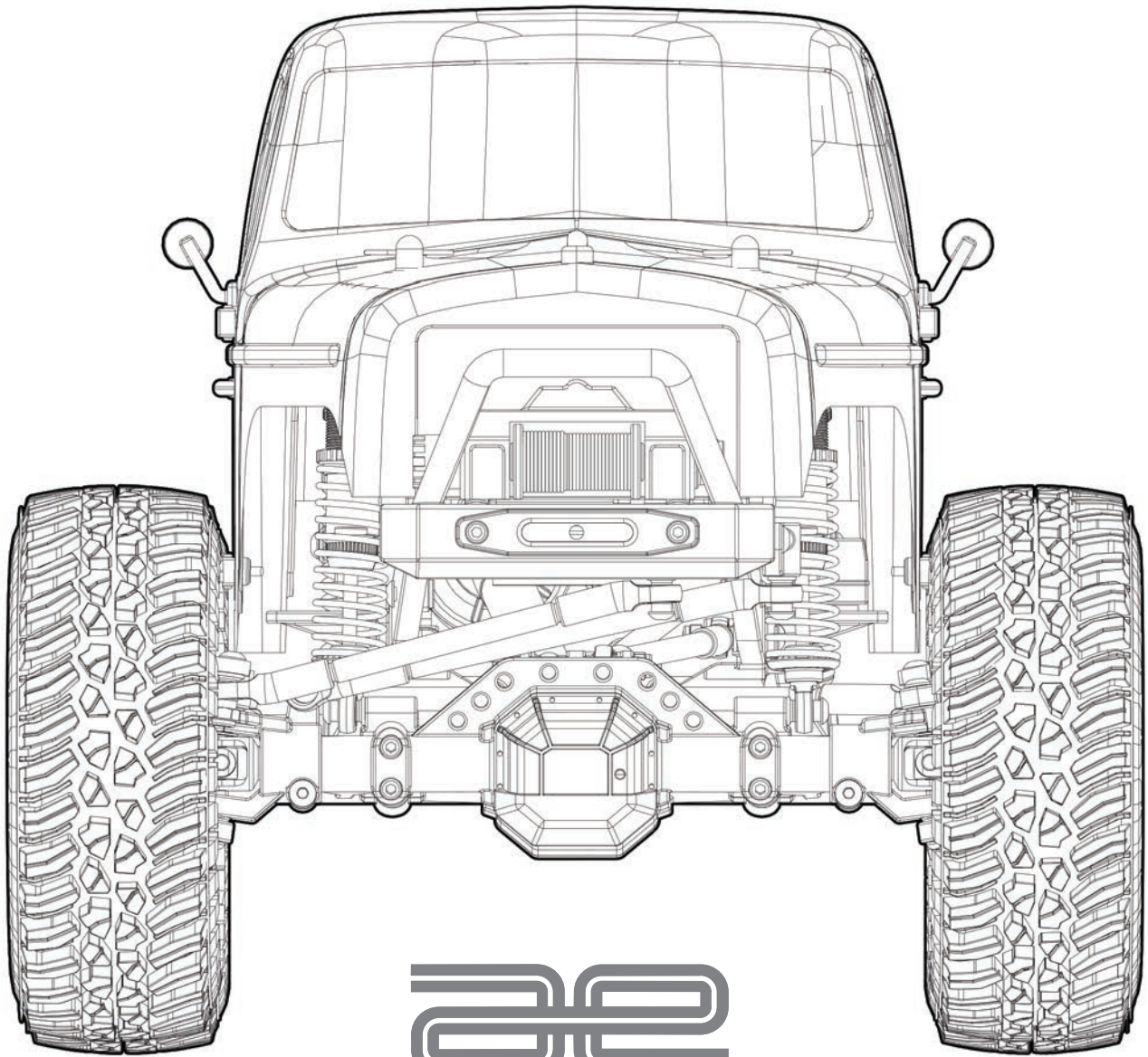
If you're sharing an area with other people, try to keep the noise to a minimum. If you come across animals or anglers, please be considerate and give them space.

• Give A Hoot, Don't Pollute:

When enjoying the outdoors take your trash with you. Not only is it bad for the environment, it's unsightly. If you see trash, pick it up, even if it isn't yours. If we all do our part we can work together to keep our planet beautiful for future generations.

• Only You Can Prevent Wild Fires:

Some of us like to mix camping with RC cars. This is great! Just remember to follow all safety precautions and put out any camp fires before calling it a night. Also, be sure to unplug and **store all LiPo batteries in LiPo sacks and a fire resistant storage device.**



ASSOCIATED ELECTRICS, INC.
21062 BAKE PARKWAY LAKE FOREST, CA 92630 USA

CALL: (949) 544-7500 - FAX: (949) 544-7501
CHECK OUT THE FOLLOWING WEB SITES FOR ALL OF OUR KITS,
CURRENT PRODUCTS, NEW RELEASES, SETUP HELP, TIPS, AND RACING INFO!
WWW.ASSOCIATEDELECTRICS.COM



ElementRC



@Element_RC