

Instruction Manual | Bedienungsanleitung | Manuel d'utilisation | Manuale di Istruzioni

NOTICE
 All instructions, warranties and other collateral documents are subject to change at the sole discretion of Horizon Hobby, LLC. For up-to-date product literature, visit horizonhobby.com or towerhobbies.com and click on the support or resources tab for this product.

Meaning of Special Language
 The following terms are used throughout the product literature to indicate various levels of potential harm when operating this product:
WARNING: Procedures, which if not properly followed, create the probability of property damage, collateral damage, and serious injury OR create a high probability of superficial injury.
CAUTION: Procedures, which if not properly followed, create the probability of physical property damage AND a possibility of serious injury.
NOTICE: Procedures, which if not properly followed, create a possibility of physical property damage AND a little or no possibility of injury.

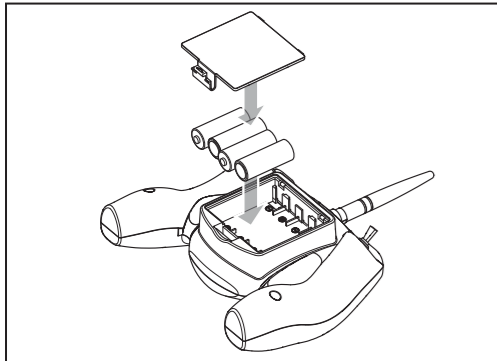
WARNING: Read the ENTIRE instruction manual to become familiar with the features of the product before operating. Failure to operate the product correctly can result in damage to the product, personal property and cause serious injury.
 This is a sophisticated hobby product. It must be operated with caution and common sense and requires some basic mechanical ability. Failure to operate this Product in a safe and responsible manner could result in injury or damage to the product or other property. This product is not intended for use by children without direct adult supervision. Do not attempt disassembly, use with incompatible components or augment product in any way without the approval of Horizon Hobby, LLC. This manual contains instructions for safety, operation and maintenance. It is essential to read and follow all the instructions and warnings in the manual, prior to assembly, setup or use, in order to operate correctly and avoid damage or serious injury.

Age Recommendation: Not for children under 14 years. This is not a toy.
Pilot Safety Precautions and Warnings

- Always make sure all batteries are fully charged before flying.
- Time flights so you can fly safely within the time allotted by your battery.
- Make sure all control surfaces correctly respond to transmitter controls before flying.
- Do NOT fly a model near spectators, parking areas or any other area that could result in injury to people or damage to property.
- Do NOT fly during adverse weather conditions. Poor visibility, wind, moisture and ice can cause pilot disorientation and/or loss of control of a model.
- When a flying model does not respond correctly to controls, land the model and correct the cause of the problem.

Installing the Transmitter Batteries

Replace the transmitter batteries when the LED glows red and the transmitter beeps.

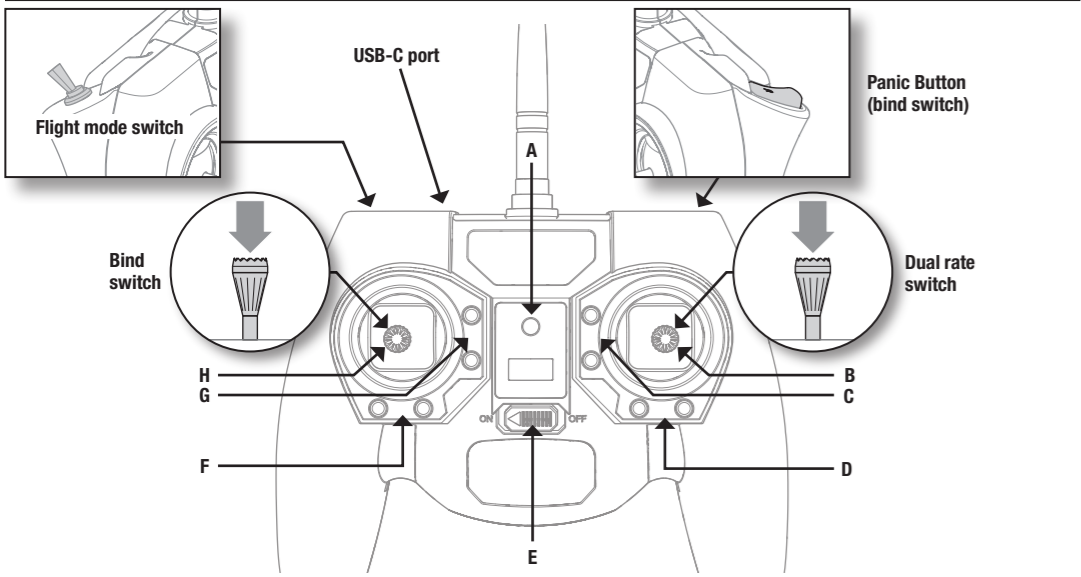


Transmitter and Receiver Binding

- MLP6DSM Binding Procedure**
- Disconnect the flight battery from the aircraft.
 - Center all trims on your transmitter.
 - Power off the transmitter and move the throttle stick to the down/off position.
 - Power on the aircraft, following the binding instructions included with the aircraft.
 - Push in and hold down the left transmitter stick* while powering on the transmitter (you will hear a 'click').
 - Release the left stick. The transmitter will beep and the LED will rapidly blink blue.
 - When the aircraft indicates it is bound, disconnect the flight battery and power off the transmitter.

*The panic button may also be used for the binding procedure.
 If you encounter problems, obey the binding instructions and refer to the troubleshooting guide for other instructions. If needed, contact the appropriate Horizon Product Support office.

Transmitter Control



When pressed down, trim buttons make a sound that increases or decreases in pitch at each pressing. The middle or neutral trim position is heard as a middle tone in the pitch range of the sounds. The end of the control range is sounded by a series of beeps.
 The MLP6C transmitter may be connected to a PC with a standard USB-C cable to use with Real Flight simulator. New pilots can learn to fly successfully by practicing on a PC at home or on a laptop.

	A	B	C	D	E	F	G	H
Mode 2	LED/light mode indicator	Aileron (Left/Right) Elevator (Up/Down)	Elevator Trim	Aileron Trim	ON/OFF Switch	Rudder Trim	Throttle Trim	Rudder (Left/Right) Throttle (Up/Down)

Flight Mode and Rate Selection

Flight Modes
 Change flight modes by moving the three-position flight mode switch. Ensure the flight mode switch is in the desired position before flying.
 Consult your aircraft manual for a description of available flight modes.

Transmitter Rates
 When powered on, the transmitter is in high-rate mode by default. Change rates by pressing and releasing the right control stick.

- In low-rate mode, indicated by a slowly flashing LED, the aircraft control surfaces have a limited range of travel.
- In high-rate mode, indicated by a solid glowing LED, the aircraft control surfaces move through their full range of travel.

LED Indicator	Status	Transmitter LED/Buzzer Indication
Transmitter voltage	Transmitter LED color indicates transmitter battery voltage for 4 seconds after powering on. Green: over 5.6V Yellow: between 4.8V and 5.6V Red: below 4.8V, transmitter beeps (change the batteries)	Transmitter LED color indicates on-board aircraft battery voltage. When using the MLP6 transmitter with an aircraft that does not transmit telemetry, the LED will be solid blue. Green: over 3.7V per cell Yellow: between 3.3V and 3.7V per cell Red: below 3.3V per cell
Aircraft voltage* (the aircraft must be bound and include a telemetry capable receiver)	Transmitter LED color indicates on-board aircraft battery voltage. When using the MLP6 transmitter with an aircraft that does not transmit telemetry, the LED will be solid blue. Green: over 3.7V per cell Yellow: between 3.3V and 3.7V per cell Red: below 3.3V per cell	High rate: LED solid Low rate: LED flashes slowly
Control rate		
Binding		LED flashes blue rapidly
No signal		LED glows solid blue

* To take advantage of the telemetry features, the transmitter must be bound to a receiver that is telemetry capable. See your aircraft manual for more information.

Limited Warranty

What this Warranty Covers
 Horizon Hobby, LLC, (Horizon) warrants to the original purchaser that the product purchased the "Product" will be free from defects in materials and workmanship for a period of 1 year from the date of purchase.

What is Not Covered
 This warranty is not transferable and does not cover (i) cosmetic damage, (ii) damage due to acts of God, accident, misuse, abuse, negligence, commercial use, or due to improper use, installation, operation or maintenance, (iii) modification of to or any part of the Product, (iv) attempted service by anyone other than a Horizon Hobby authorized service center, (v) Product not purchased from an authorized Horizon dealer, (vi) Product not compliant with applicable technical regulations, or (vii) use that violates any applicable laws, rules, or regulations.
OTHER THAN THE EXPRESS WARRANTY ABOVE, HORIZON MAKES NO OTHER WARRANTY OR REPRESENTATION, AND HEREBY DISCLAIMS ANY AND ALL IMPLIED WARRANTIES, INCLUDING, WITHOUT LIMITATION, THE IMPLIED WARRANTIES OF NON-INFRINGEMENT, MERCHANTABILITY AND FITNESS FOR A PARTICULAR PURPOSE. THE PURCHASER ACKNOWLEDGES THAT THEY ALONE HAVE DETERMINED THAT THE PRODUCT WILL SUITABLY MEET THE REQUIREMENTS OF THE PURCHASER'S INTENDED USE.
Purchaser's Remedy
 Horizon's sole obligation and purchaser's sole and exclusive remedy shall be that Horizon will, at its option, either (i) service, or (ii) replace, any Product determined by Horizon to be defective. Horizon reserves the right to inspect any and all Product(s) involved in a warranty claim. Service or replacement decisions are at the sole discretion of Horizon. Proof of purchase is required for all warranty claims. SERVICE OR REPLACEMENT AS PROVIDED UNDER THIS WARRANTY IS THE PURCHASER'S SOLE AND EXCLUSIVE REMEDY.

NOTICE: Do not ship LiPo batteries to Horizon. If you have any issue with a LiPo battery, please contact the appropriate Horizon Product Support office.

Warranty Requirements
 For Warranty consideration, you must include your original sales receipt verifying the proof-of-purchase date. Provided warranty conditions have been met, your Product will be serviced or replaced free of charge. Service or replacement decisions are at the sole discretion of Horizon.

Non-Warranty Service
 Should your service not be covered by warranty, service will be completed and payment will be required without notification or estimate of the expense unless the expense exceeds 50% of the retail purchase cost. By submitting the item for service you are agreeing to payment of the service without notification. Service estimates are available upon request. You must include this request with your item submitted for service. Non-warranty service estimates will be billed a minimum of ½ hour of labor. In addition you will be billed for return freight. Horizon accepts money orders and cashier's checks, as well as Visa, MasterCard, American Express, and Discover cards. By submitting any item to Horizon for service, you are agreeing to Horizon's Terms and Conditions found on our website http://www.horizonhobby.com/content/service-center_render-service-center.
ATTENTION: Horizon service is limited to Product compliant in the country of use and ownership. If received, a non-compliant Product will not be serviced. Further, the sender will be responsible for arranging return shipment of the un-serviced Product, through a carrier of the sender's choice and at the sender's expense. Horizon will hold non-compliant Product for a period of 90 days from notification, after which it will be discarded.

Law
 These terms are governed by Illinois law (without regard to conflict of law principals). This warranty gives you specific legal rights, and you may also have other rights which vary from state to state. Horizon reserves the right to change or modify this warranty at any time without notice.
WARRANTY SERVICES
Questions, Assistance, and Services
 Your local hobby store and/or place of purchase cannot provide warranty support or service. (Once assembly, setup or use of the Product has been started, you must contact your local distributor or Horizon directly. This will enable Horizon to better answer your questions and service you in the event that you may need any assistance. For questions

Warranty and Service Contact Information

Country of Purchase	Horizon Hobby	Contact Information	Address
United States of America	Horizon Service Center (Repairs and Repair Requests) Horizon Product Support (Product Technical Assistance) Sales	servicecenter.horizonhobby.com/RequestForm/ productsupport@horizonhobby.com 677-504-0233 websales@horizonhobby.com 800-338-4639	2904 Research Rd Champaign, IL 61822
European Union	Horizon Technischer Service Sales: Horizon Hobby GmbH	service@horizonhobby.eu +49 (0) 4121 2655 100	Hanskamping 9 D 22885 Barsbüttel, Germany

FCC Information

Contains FCC ID: BRWWAC01T
 This device complies with part 15 of the FCC rules. Operation is subject to the following two conditions: (1) This device may not cause harmful interference, and (2) this device must accept any interference received, including interference that may cause undesired operation.

CAUTION: Changes or modifications not expressly approved by the party responsible for compliance could void the user's authority to operate the equipment.
 This product contains a radio transmitter with wireless technology which has been tested and found to be compliant with the applicable regulations governing a radio transmitter in the 2.400GHz to 2.4835GHz frequency range.

Supplier's Declaration of Conformity
Spektrum MLP6DSM Transmitter (SPMRMLP6C, SPMRMLP61C)
 This device complies with part 15 of the FCC Rules. Operation is subject to the following two conditions: (1) This device may not cause harmful interference, and (2) this device must accept any interference received, including interference that may cause undesired operation.

CAUTION: Changes or modifications not expressly approved by the party responsible for compliance could void the user's authority to operate the equipment.

NOTE: This equipment has been tested and found to comply with the limits for a Class B digital device, pursuant to part 15 of the FCC Rules. These limits are designed to provide reasonable protection against harmful interference in a residential installation. This equipment generates, uses and can radiate radio frequency energy and, if not installed and used in accordance with the instructions, may cause harmful interference to radio communications. However, there is no guarantee that interference will not occur in a particular installation. If this equipment does cause harmful interference to radio or television reception, which can be determined by turning the equipment off and on, the user is encouraged to try to correct the interference by one or more of the following measures:

- Reorient or relocate the receiving antenna.
- Increase the separation between the equipment and receiver.
- Connect the equipment into an outlet on a circuit different from that to which the receiver is connected.
- Consult the dealer or an experienced radio/TV technician for help.

Horizon Hobby, LLC
 2904 Research Rd.,
 Champaign, IL 61822
 Email: compliance@horizonhobby.com
 Web: HorizonHobby.com

IC Information

Contains IC: 6157A-WAC01T
CAN ICES-3 (B)/NMB-3(B)
 This device complies with Industry Canada licence-exempt RSS standard(s). Operation is subject to the following two conditions: (1) this device may not cause interference, and (2) this device must accept any interference, including interference that may cause undesired operation of the device.

Compliance Information for the European Union

EU Compliance Statement:
MLP6DSM Transmitter (SPMRMLP6C)
 Horizon Hobby, LLC hereby declares that this product is in compliance with the essential requirements and other relevant provisions of the RED Directive.

A copy of the EU Declaration of Conformity is available online at: http://www.horizonhobby.com/content/support-render-compliance.

Operating Frequency: 2404-2476 MHz
Max EIRP: 5 dBm

Instructions for disposal of WEEE by users in the European Union
 This product must not be disposed of with other waste. Instead, it is the user's responsibility to dispose of their waste equipment by handing it over to a designated collections point for the recycling of waste electrical and electronic equipment. The separate collection and recycling of your waste equipment at the time of disposal will help to conserve natural resources and ensure that it is recycled in a manner that protects human health and the environment. For more information about where you can drop off your waste equipment for recycling, please contact your local city office, your household waste disposal service or where you purchased the product.



HNWEIS
 Alle Anweisungen, Garantien und anderen zugehörigen Dokumente können im eigenen Ermessen von Horizon Hobby, LLC, jederzeit geändert werden. Die aktuelle Produktliteratur finden Sie auf horizonhobby.com unter der Registerkarte „Support“ für das betreffende Produkt.

Spezielle Bedeutungen

Die folgenden Begriffe werden in der gesamten Produktliteratur verwendet, um auf unterschiedlich hohe Gefahrenrisiken beim Betrieb dieses Produkts hinzuweisen:
WARNUNG: Wenn diese Verfahren nicht korrekt befolgt werden, ergeben sich wahrscheinlich Sachschäden, Kollateralschäden und schwere Verletzungen ODER mit hoher Wahrscheinlichkeit oberflächliche Verletzungen.
ACHTUNG: Wenn diese Verfahren nicht korrekt befolgt werden, ergeben sich wahrscheinlich Sachschäden UND die Gefahr von schweren Verletzungen.
HNWEIS: Wenn diese Verfahren nicht korrekt befolgt werden, können sich möglicherweise Sachschäden UND geringe oder keine Gefahr von Verletzungen ergeben.

WARNING: Lesen Sie die GESAMTE Bedienungsanleitung, um sich vor dem Betrieb mit den Produktfunktionen vertraut zu machen. Wird das Produkt nicht korrekt betrieben, kann dies zu Schäden am Produkt oder persönlichem Eigentum führen oder schwere Verletzungen verursachen.

Dies ist ein hochentwickeltes Hobby-Produkt. Es muss mit Vorsicht und gesundem Menschenverstand betrieben werden und benötigt gewisse mechanische Grundfähigkeiten. Wird dieses Produkt nicht auf eine sichere und verantwortungsvolle Weise betrieben, kann dies zu Verletzungen oder Schäden am Produkt oder anderen Sachwerten führen. Dieses Produkt eignet sich nicht für die Verwendung durch Kinder ohne direkte Überwachung eines Erwachsenen. Versuchen Sie nicht ohne Genehmigung durch Horizon Hobby, LLC, das Produkt zu zerlegen, es mit inkompatiblen Komponenten zu verwenden oder auf jegliche Weise zu erweitern. Diese Bedienungsanleitung enthält Anweisungen für Sicherheit, Betrieb und Wartung. Es ist unbedingt notwendig, vor Zusammenbau, Einrichtung oder Verwendung alle Anweisungen und Warnhinweise im Handbuch zu lesen und zu befolgen, damit es bestimmungsgemäß betrieben werden kann und Schäden oder schwere Verletzungen vermieden werden.

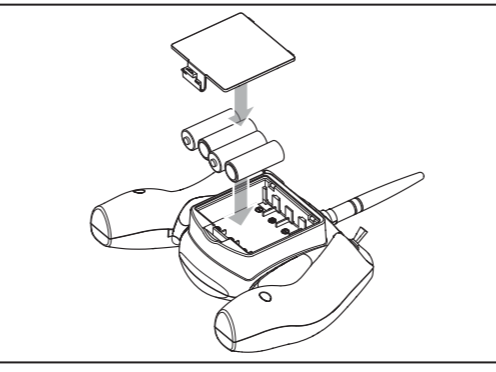
Nicht geeignet für Kinder unter 14 Jahren. Dies ist kein Spielzeug.

Piloten Sicherheit

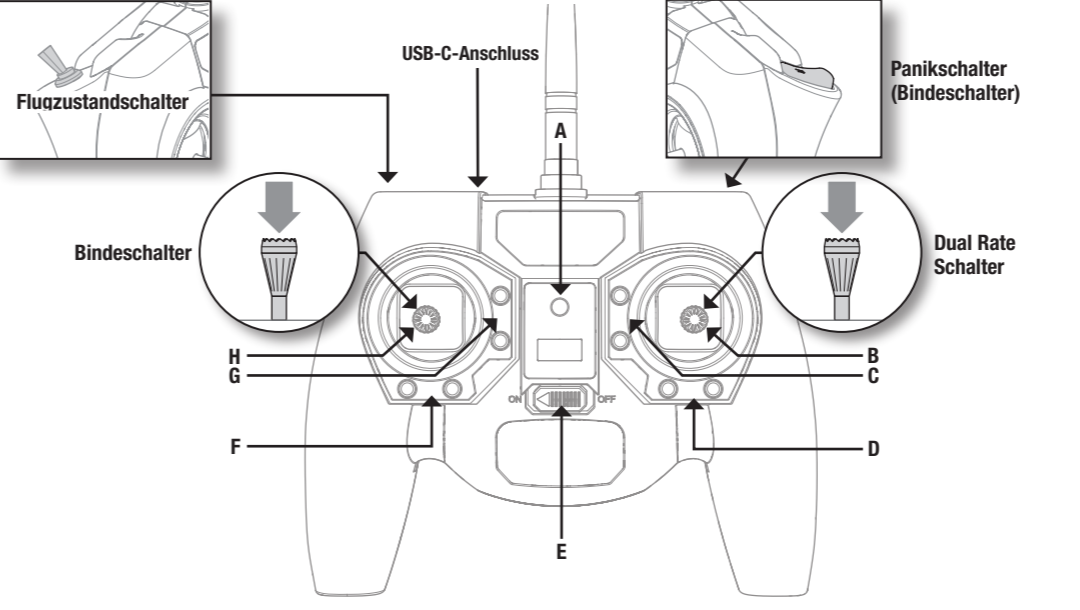
- Stellen Sie vor dem Flug sicher, dass die Akkus vollständig geladen sind.
- Aktivieren Sie vor dem Flug die Stopuhr, dass Sie den Flug unter Kontrolle haben.
- Stellen Sie sicher, dass alle Ruder in die richtige Richtung arbeiten.
- Fliegen Sie nicht in der Nähe von Zuschauern, Parkplätzen oder anderen Plätzen wo Menschen oder Gegenstände beschädigt werden können.
- Fliegen Sie nicht bei ungünstigen Wetterbedingungen. Schlechte Sicht kann zu Desorientierung und Kontrollverlust führen. Wind kann zu Kontrollverlust führen. Feuchtigkeit und Eis kann das Modell beschädigen.
- Zeigen Sie nicht mit der Antenne direkt auf das Modell. Das Signal, dass von der Antennenspitze erzeugt wird ist schwächer als das von der Antennenspitze.
- Sollte bei einem Flug das Modell nicht einwandfrei reagieren, landen Sie bitte unverzüglich und beseitigen Sie die Ursache des Problems.

Einlegen der Senderbatterien

Tauschen Sie die Batterien des Senders aus, wenn die LED rot leuchtet und der Sender piept.



Sendersteuerung



Wenn die Trimmastan gedrückt werden, geben sie einen Signalton von sich, der bei jedem erneuten Drücken höher oder tiefer wird. Die mittlere oder neutrale Trimmstellung erklingt in der mittleren Tonhöhe. An den äußeren Enden des Steuerbereichs erklingt eine Tonfolge.

Der MLP6C-Sender kann mit einem Standard-USB-C-Kabel an einen PC angeschlossen werden, um ihn mit dem Real Flight Simulator zu verwenden. Neue Piloten können das erfolgreiche Fliegen erlernen, indem sie zu Hause am PC oder am Laptop üben.

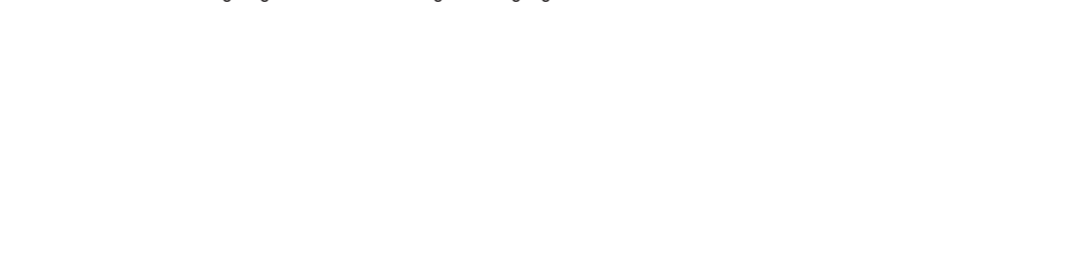
	A	B	C	D	E	F	G	H
Modus 2	Ein/Aus-LED	Querruder (links/rechts) Höhenruder (auf/ab)	Höhenruder-trimm	Querruder-trimm	EIN/AUS-Schalter	Seitenruder-trimm	Gastrimm	Seitenruder (links/rechts) Gas (auf/ab)

Flugmodus und Dual Rate

Flugmodi
 Ändern Sie den Flugmodus durch Bewegen des Dreistellungflugmodus-Schalters. Vergewissern Sie sich, dass sich der Schalter für den Flugmodus vor dem Flug in der gewünschten Position befindet.
 Ziehen Sie das Handbuch Ihres Flugzeugs hinzu, dort finden Sie eine Beschreibung der verfügbaren Flugmodi.

Senderraten
 Wenn er eingeschaltet ist, ist bei dem Sender standardmäßig der Modus mit hoher Rate aktiv. Der Flugmodus kann durch Betätigen und Losschalten des rechten Steuerknüppels geändert werden.

- Im Modus mit niedriger Rate, der durch eine langsam blinkende LED angezeigt wird, verfügen die Steueroberflächen des Flugzeugs nur über einen begrenzten Bewegungsbereich.
- Im Modus mit hoher Rate, der durch eine leuchtende LED angezeigt wird, verfügen die Steueroberflächen des Flugzeugs über den vollständigen Bewegungsbereich.



LED-Anzeige

Die Sender-LED dient zur visuellen Darstellung verschiedener Daten. Folgende Tabelle umfasst eine Erläuterung der möglichen LED-Anzeigen.

Status	Sender-LED/Summer-Anzeige
Senderspannung	Die LED-Farbe des Senders zeigt die Sender-Batteriespannung nach dem Einschalten 4 Sekunden lang an. Wenn Sie den MLP6-Sender mit einem Flugzeug verwenden, das keine Telemetrie sendet, leuchtet die LED durchgehend blau. Grün: über 5.6 V Gelb: zwischen 4.8 und 5.6 V Rot: unter 4.8 V. Sender piept (wechseln Sie die Batterien)
Flugzeugspannung* (das Flugzeug muss mit einem telemetriefähigen Empfänger verbunden werden)	Die LED-Farbe des Senders zeigt die Batteriespannung an Bord des Flugzeugs an. Grün: über 3.7 V pro Zelle Gelb: zwischen 3.3 und 3.7 V pro Zelle Rot: unter 3.3 V pro Zelle
Steuergeschwindigkeit	Hohe Geschwindigkeit: Leuchtende LED Niedrige Geschwindigkeit: Die LED blinkt langsam
Binden	LED blinkt schnell blau
Kein Signal	Leuchtende blau LED

Garantie und Service Informationen

Warnung
 Ein ferngesteuertes Modell ist kein Spielzeug. Es kann, wenn es falsch eingesetzt wird, zu erheblichen Verletzungen bei Lebewesen und Beschädigungen an Sachgütern führen. Betreiben Sie Ihr RC-Modell nur auf freien Plätzen und beachten Sie alle Hinweise der Bedienungsanleitung des Modells wie auch der Fernsteuerung.

Garantiezeitraum
 Exklusive Garantie Horizon Hobby LLC (Horizon) garantiert, dass dasgekauft Produkt frei von Material- und Montagefehlern ist. Der Garantiezeitraum entspricht den gesetzlichen Bestimmungen des Landes, in dem das Produkt erworben wurde. In Deutschland beträgt der Garantiezeitraum 6 Monate und der Gewährleistungszeitraum 18 Monate nach dem Garantiezeitraum.
Einschränkungen der Garantie
 (a) Die Garantie wird nur dem Erstkäufer (Käufer) gewährt und kann nicht übertragen werden. Der Anspruch des Käufers besteht in der Reparatur oder dem Tausch im Rahmen dieser Garantie. Die Garantie erstreckt sich ausschließlich auf Produkte, die bei einem autorisierten Horizon Händler erworben wurden. Verkäufe an dritte werden von dieser Garantie nicht gedeckt. Garantieansprüche werden nur angenommen, wenn ein gültiger Kaufnachweis erbracht wird. Horizon behält sich das Recht vor, diese Garantiebestimmungen ohne Ankündigung zu ändern oder modifizieren und wiederum dann bestehende Garantiebestimmungen.
 (b) Horizon übernimmt keine Garantie für die Verkaufbarkeit des Produktes, die Fähigkeiten und die Fitness des Verbrauchers für einen bestimmten Einsatzzweck des Produktes. Der Käufer allein ist dafür verantwortlich, zu prüfen, ob das Produkt seinen Fähigkeiten und dem vorgesehenen Einsatzzweck entspricht.
 (c) Ansprüche des Käufers – Es liegt ausschließlich im Ermessen von Horizon, ob das Produkt, bei dem ein Garantiefall festgestellt wurde, repariert oder ausgetauscht wird. Dies sind die exklusiven Ansprüche des Käufers, wenn ein Defekt festgestellt wird.

Horizon behält sich vor, alle eingesetzten Komponenten zu prüfen, die in den Garantiefall einbezogen werden können. Die Entscheidung zur Reparatur oder zum Austausch liegt nur bei Horizon. Die Garantie schließt kosmetische Defekte oder Defekte, hervorgerufen durch höhere Gewalt, falsche Behandlung des Produktes, falscher Einsatz des Produktes, kommerziellen Einsatz oder Modifikationen irgendwelcher Art aus.
 Die Garantie schließt Schäden, die durch falschen Einbau, falsche Handhabung, Unfälle, Betrieb, Service oder Reparaturversuche, die nicht von Horizon ausgeführt wurden aus.
 Ausgeschlossen sind auch Fälle die bedingt durch (vii) eine Nutzung sind, die gegen geltendes Recht, Gesetze oder Regularien verstößen haben. Rücksendungen durch den Käufer direkt an Horizon oder eine seiner Landesvertretung bedürfen der Schriftform.
Schadenbeschränkung
 Horizon ist nicht für direkte oder indirekte Folgeschäden, Einkommensausfälle oder kommerzielle Verluste, die in irgendeinem Zusammenhang mit dem Produkt stehen verantwortlich, unabhängig ab ein Anspruch im Zusammenhang mit einem Vertrag, der Garantie oder der Gewährleistung erhoben werden. Horizon wird darüber hinaus keine Ansprüche aus einem Garantiefall akzeptieren, die über den individuellen Wert des Produktes hinaus gehen. Horizon hat keinen Einfluss auf den Einbau, die Verwendung oder die Wartung des Produktes oder etwaiger Produktkombinationen, die vom Käufer gewählt werden. Horizon übernimmt keine Garantie und akzeptiert keine Ansprüche für in der folge auftretende Verletzungen oder Beschädigungen. Mit der Verwendung und dem Einbau des Produktes akzeptiert der Käufer alle aufgeführten Garantiebestimmungen ohne Einschränkungen und Vorbehalte.

Garantie und Reparaturen
 Garantieanfragen werden nur bearbeitet, wenn ein Originalkaufbeleg von einem autorisierten Fachhändler beiliegt, aus dem der Käufer und das Kaufdatum hervorgeht. Sollte sich ein Garantiefall bestätigen wird das Produkt repariert oder ersetzt. Sollte diese Entscheidung obliegt einzig Horizon Hobby.
Kostenpflichtige Reparaturen
 Liegt eine kostenpflichtige Reparatur vor, erstellen wir einen Kostenvoranschlag, den wir Ihrem Händler übermitteln. Die Reparatur wird erst vorgenommen, wenn wir die Freigabe des Händlers erhalten. Der Preis für die Reparatur ist bei Ihrem Händler zu entrichten. Bei kostenpflichtigen Reparaturen werden mindestens 30 Minuten Werkstattzeit und die Rückversandkosten in Rechnung gestellt. Sollten wir nach 90 Tagen keine Einverständniserklärung zur Reparatur vorliegen haben, behalten wir uns vor, das Produkt zu vernichten oder anderweitig zu verwalten.

ACHTUNG: Kostenpflichtige Reparaturen nehmen wir nur für Elektronik und Motoren vor. Mechanische Reparaturen, besonders bei Hubschraubern und RC-Cars sind extrem aufwendig und müssen deshalb vom Käufer selbst vorgenommen werden.

Garantie und Service Kontaktinformationen

Land des Kauf	Horizon Hobby	Telefon/E-mail Adresse	Adresse
Europäische Union	Horizon Technischer Service Sales: Horizon Hobby GmbH	service@horizonhobby.de +49 (0) 4121 2655 100	Hanskamping 9 D 22885 Barsbüttel, Germany

Rechtliche Informationen für die Europäische Union

EU Konformitätserklärung:
Spektrum MLP6DSM Transmitter (SPMRMLP6C)
 Horizon LLC erklärt hiermit, dass dieses Produkt konform zu den essentiellen Anforderungen der RED Direktive ist. Eine Kopie der Konformitätserklärung ist online unter folgender Adresse verfügbar : http://www.horizonhobby.com/content/support-render-compliance.

Band: 2404-2476 MHz
Max EIRP: 5 dBm

Anweisungen zur Entsorgung von Elektro-und Elektronik-Altgeräten für Benutzer in der Europäischen Union

Dieses Produkt darf nicht zusammen mit anderem Abfall entsorgt werden. Stattdessen ist der Benutzer dafür verantwortlich, unbrauchbare Geräte durch Abgabe bei einer speziellen Sammelstelle für das Recycling von unbrauchbaren elektrischen und elektronischen Geräten zu entsorgen. Die separate Sammlung und das Recycling von unbrauchbaren Geräten zum Zeitpunkt der Entsorgung hilft, natürliche Ressourcen zu bewahren und sicherzustellen, dass Geräte auf eine Weise wiederverwertet werden, bei der die menschliche Gesundheit und die Umwelt geschützt werden. Weitere Informationen dazu, wo Sie unbrauchbare Geräte zum Recycling abgeben können, erhalten Sie bei lokalen Ämtern, bei der Müllabfuhr für Haushaltsmüll sowie dort, wo Sie das Produkt gekauft haben.



REMARQUE
La totalité des instructions, garanties et autres documents est sujette à modification à la seule discrétion d’Horizon Hobby, LLC. Pour obtenir la documentation à jour, rendez-vous sur le site horizonhobby.com et cliquez sur l’onglet de support de ce produit.

Signification de certains termes spécifiques
Les termes suivants sont utilisés dans l'ensemble du manuel pour indiquer différents niveaux de danger lors de l'utilisation de ce produit :
AVERTISSEMENT : procédures qui, si elles ne sont pas suivies correctement, peuvent entraîner des dégâts matériels et des blessures graves OU engendrer une probabilité élevée de blessure superficielle.
ATTENTION : procédures qui, si elles ne sont pas suivies correctement, peuvent entraîner des dégâts matériels ET des blessures graves.
REMARQUE : procédures qui, si elles ne sont pas suivies correctement, peuvent entraîner des dégâts matériels ET éventuellement un faible risque de blessures.

⚠ AVERTISSEMENT : lisez la TOTALITÉ du manuel d'utilisation afin de vous familiariser avec les caractéristiques du produit avant de le faire fonctionner. Une utilisation incorrecte du produit peut entraîner sa détérioration, ainsi que des risques de dégâts matériels, voire de blessures graves.

Ceci est un produit de loisirs sophistiqué. Il doit être manipulé avec prudence et bon sens et requiert des aptitudes de base en mécanique. Toute utilisation irresponsable de ce produit ne respectant pas les principes de sécurité peut provoquer des blessures, entraîner des dégâts matériels et endommager le produit. Ce produit n'est pas destiné à être utilisé par des enfants sans la surveillance directe d'un adulte. Ne pas essayer de démonter le produit, de l'utiliser avec des composants incompatibles ou d'en améliorer les performances sans l'approbation de Horizon Hobby, LLC. Ce manuel comporte des instructions relatives à la sécurité, au fonctionnement et à l'entretien. Il est capital de lire et de respecter la totalité des instructions et avertissements du manuel avant l'assemblage, le réglage et l'utilisation, ceci afin de manipuler correctement l'appareil et d'éviter tout dégât matériel ou toute blessure grave.

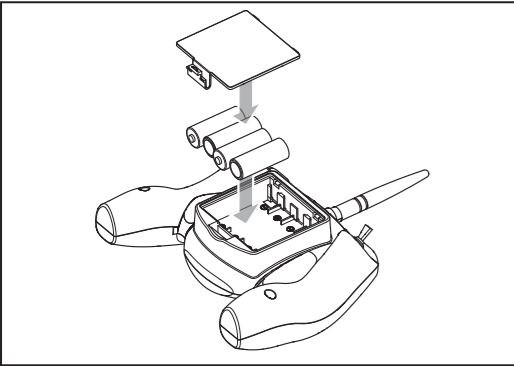
14 ans et plus. Ceci n'est pas un jouet.

Sécurité du Pilote

- Assurez-vous toujours que les batteries sont complètement chargées avant d'entreprendre un vol.
- Chronométrez vos vols pour pouvoir voler en toute sécurité dans la limite de capacité de votre batterie.
- Effectuez un contrôle de portée de l'émetteur et du modèle avant de faire voler ce dernier.
- Vérifiez que les surfaces de commande répondent correctement aux commandes de l'émetteur avant d'effectuer un vol.
- NE faites PAS voler votre modèle à proximité de spectateurs, sur un parking ou tout autre lieu où sa manipulation pourrait entraîner des blessures corporelles ou provoquer des dégâts matériels.

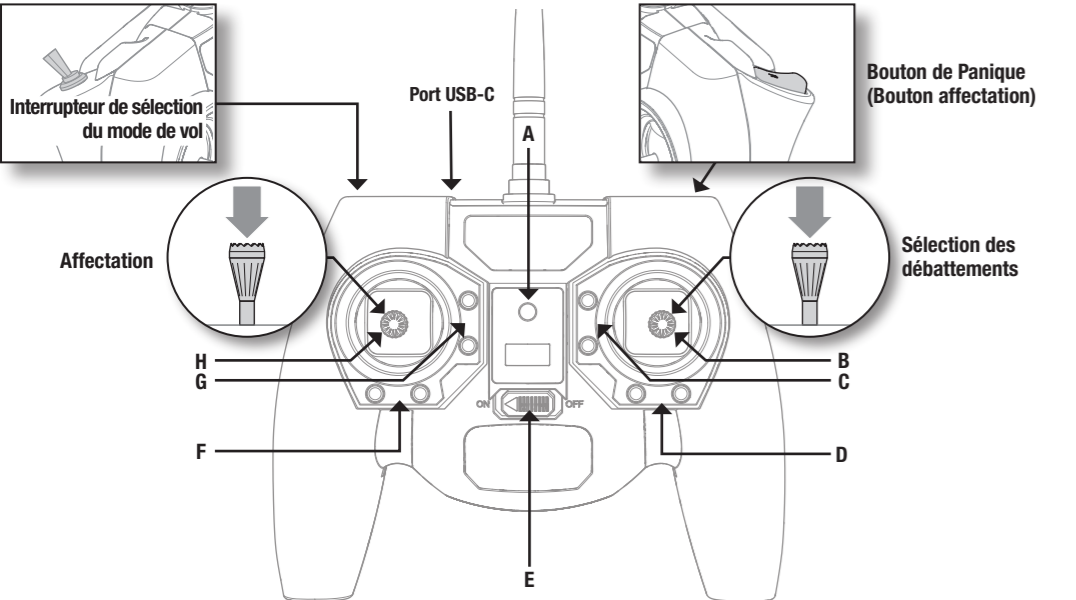
Affectation de l'émetteur et du récepteur

Remplacez les piles lorsque la DEL de l'émetteur clignote et émet des tonalités.



* Le bouton d'alarme peut également être utilisé pour effectuer l'affectation.

Si vous rencontrez des difficultés, suivez les consignes d'affectation et consultez le guide de dépannage pour obtenir des instructions supplémentaires. Au besoin, contactez le bureau du service après-vente d'Horizon approprié.



Lorsqu'ils sont enfoncés, les boutons de trim font un bruit qui augmente ou diminue en intensité à chaque pression. La position intermédiaire ou neutre du trim utilise une tonalité de milieu de gamme. Une série de bips sonores indique la fin de la plage de contrôle.

L'émetteur MLP6C peut être connecté à un PC avec un câble USB-C standard à utiliser avec le simulateur Real Flight. Les nouveaux pilotes peuvent apprendre à voler avec succès en s'entraînant sur un PC à la maison ou sur un ordinateur portable.

	A	B	C	D	E	F	G	H
Mode 2	DEL d'alimentation	<i>Aileron (Gauche/Droit) Gouverne de direction (Haut/Bas)</i>	Trim de profondeur	Trim d'aileron	Commutateur ON/OFF	Trim de dérive	Trim des gaz	<i>Gouverne de direction (Gauche/Droit) Gaz (Haut/Bas)</i>

Sélection du mode de vol et des débattements

Modes de vol

Changez de mode de vol en basculant l'interrupteur à trois positions. Contrôlez que l'interrupteur est dans la position désirée avant d'effectuer le vol. Consultez le manuel de votre appareil pour obtenir la description des modes de vol disponibles.

Débattements de l'émetteur
Lorsque l'émetteur est mis sous tension, il se met automatiquement en mode grands débattements. Changez de taux de débattement en appuyant, puis en relâchant, la manche de droite.

- Dans le mode petits débattements, signalé par une DEL clignotant lentement, les commandes ne peuvent atteindre leurs valeurs maximales.
- Dans le mode grands débattements, signalé par une DEL fixe, les commandes peuvent atteindre leurs valeurs maximales.

Indicateur DEL

La DEL de l'émetteur permet de signaler visuellement différents éléments. Le tableau ci-dessous fournit les différentes explications possibles.

La couleur de la DEL de l'émetteur indique la tension des piles de l'émetteur pendant 4 secondes après la mise sous tension.
Vert : supérieure à 5,6 V
Jaune : entre 4,8 V et 5,6 V
Rouge : inférieure à 4,8 V.
L'émetteur bipe (changer les piles)

La couleur de la DEL de l'émetteur indique la tension des piles situées à l'intérieur de l'appareil.Lorsque vous utilisez l'émetteur MLP6 avec un avion qui ne transmet pas de télémétrie, la DEL sera bleu fixe.

Vert : supérieure à 3,7 V par cellule

Jaune : entre 3,3 V et 3,7 V par cellule

Rouge : inférieure à 3,3 V par cellule

Taux de contrôle	Grand débattement : DEL fixe <p>Petit débattement: DEL clignotant lentement</p>
Affectation	DEL bleue clignotant rapidement
Pas de signal	DEL bleue fixe

Garantie limitée

Durée de la garantie

Garantie exclusive - Horizon Hobby, LLC (Horizon) garantit que le Produit acheté (le « Produit ») sera exempt de défauts matériels et de fabrication à sa date d'achat par l'Acheteur. La durée de garantie correspond aux dispositions légales du pays dans lequel le produit a été acquis. La durée de garantie est de 6 mois et la durée d'obligation de garantie de 18 mois à l'expiration de la période de garantie.

Limitations de la garantie

(a) La garantie est donnée à l'acheteur initial (« Acheteur ») et n'est pas transférable. Le recours de l'acheteur consiste en la réparation ou en l'échange dans le cadre de cette garantie. La garantie s'applique uniquement aux produits achetés chez un revendeur Horizon agréé. Les ventes faites à des tiers ne sont pas couvertes par cette garantie. Les réparations en garantie seront acceptées sur fourniture d'une preuve d'achat valide uniquement. Horizon se réserve le droit de modifier les dispositions de la présente garantie sans avis préalable et révoque alors les dispositions de garantie existantes.

(b) Horizon n'endosse aucune garantie quant à la disponibilité du produit ou aux capacités et à la forme physique de l'utilisateur pour une utilisation donnée du produit. Il est de la seule responsabilité de l'acheteur de vérifier si le produit correspond à ses capacités et à l'utilisation prévue.

(c) Recours de l'acheteur – Il est de la seule discrétion d'Horizon de déterminer si un produit présentant un cas de garantie sera réparé ou échangé. Ce sont là les recours exclusifs de l'acheteur lorsqu'un défaut est constaté.

Horizon se réserve la possibilité de vérifier tous les éléments utilisés et susceptibles d'être intégrés dans le cas de garantie. La décision de réparer ou de remplacer le produit est du seul ressort d'Horizon. La garantie exclut les défauts esthétiques ou les défauts provoqués par des cas de force majeure, une manipulation incorrecte du produit, une utilisation incorrecte ou commerciale de ce dernier ou encore des modifications de quelque nature qu'elles soient. La garantie ne couvre pas les dégâts résultant d'un montage ou d'une manipulation erronés, d'accidents ou encore du fonctionnement ainsi que des tentatives d'entretien ou de réparation non effectuées par Horizon. Les retours effectués par le fait de l'acheteur directement à Horizon ou à l'une de ses représentations nationales requièrent une confirmation écrite.

Limitation des dommages
Horizon ne saurait être tenu pour responsable de dommages conséquents directs ou indirects, de pertes de revenus ou de pertes commerciales, liés de quelque manière que ce soit au produit et ce, indépendamment du fait qu'un recours puisse être formulé en relation avec un contrat, la garantie ou l'obligation de garantie. Par ailleurs, Horizon n'acceptera pas de recours issus d'un cas de garantie lorsque ces recours dépassent la valeur unitaire du produit. Horizon n'exerce aucune influence sur le montage, l'utilisation ou la maintenance du produit ou sur d'éventuelles combinaisons de produits choisies par l'acheteur. Horizon ne prend en compte aucune garantie et n'accepte aucun recours pour les blessures ou les dommages pouvant en résulter. Horizon Hobby ne saurait être tenu responsable d'une utilisation ne respectant pas les lois, les règles ou réglementations en vigueur.

En utilisant et en montant le produit, l'acheteur accepte sans restriction ni réserve toutes les dispositions relatives à la garantie figurant dans le présent document. Si vous n'êtes pas prêt, en tant qu'acheteur, à accepter ces dispositions en relation avec l'utilisation du produit, nous vous demandons de restituer au vendeur le produit complet, non utilisé et dans son emballage d'origine.

Coordonnées de Garantie et réparations

Pays d'achat	Horizon Hobby	Número de téléphone/E-mail	Adresse
Union européenne	Horizon Technischer Service Sales: Horizon Hobby GmbH	service@horizonhobby.eu +49 (0) 4121 2655 100	Hanskamping 9 D 22885 Barsbüttel, Germany

Information IC

Contains IC: 6157A-WAC01T
CAN ICES-3 (B)/NMB-3(B)

Le présent appareil est conforme aux CNR d'Industrie Canada applicables aux appareils radio exempts de licence. L'exploitation est autorisée aux deux conditions suivantes :

(1) l'appareil ne doit pas produire de brouillage, et (2) l'utilisateur de l'appareil doit accepter tout brouillage radioélectrique subi, même si le brouillage est susceptible d'en compromettre le fonctionnement.

Informations de conformité pour l'Union européenne

CE Déclaration de conformité de l'Union européenne :
Spektrum MLP6DSM Transmitter (SPMRMLP6C)

Horizon Hobby, LLC déclare par la présente que ce produit est en conformité avec les exigences essentielles et les autres dispositions de la directive RED.

Une copie de la déclaration de conformité européenne est disponible à :
http://www.horizonhobby.com/content/support-render-compliance.

Fréquence: 2404-2476 MHz

Max EIRP: 5 dBm

Instructions relatives à l'élimination des D3E pour les utilisateurs résidant dans l'Union européenne



Ce produit ne doit pas être éliminé avec d'autres déchets. Il relève de la responsabilité de l'utilisateur d'éliminer les équipements mis au rebut en les remettant à un point de collecte désigné en vue du recyclage des déchets d'équipements électriques et électroniques. La collecte et le recyclage séparés de vos équipements au moment de leur élimination aideront à préserver les ressources naturelles et à garantir que les déchets seront recyclés de manière à protéger la santé humaine et l'environnement. Pour plus d'informations quant aux lieux de dépôt de vos équipements mis au rebut en vue du recyclage, veuillez contacter votre maîne, votre service de traitement des ordures ménagères ou le magasin dans lequel vous avez acheté le produit.

AVVISO
Tutte le istruzioni, le garanzie e gli altri documenti pertinenti sono soggetti a cambiamenti a totale discrezione di Horizon Hobby, LLC. Per una documentazione aggiornata sul prodotto, visitare il sito www.horizonhobby.com e fare clic sulla sezione Support del prodotto.

Convenzioni terminologiche
Nella documentazione relativa al prodotto vengono utilizzati i seguenti termini per indicare i vari livelli di pericolo potenziale durante l'uso del prodotto:
AVVERTENZA: indica procedure che, se non debitamente seguite, determinano il rischio di danni alle cose, danni collaterali e gravi lesioni alle persone O il rischio elevato di lesioni superficiali alle persone.
ATTENZIONE: indica procedure che, se non debitamente seguite, determinano il rischio di danni alle cose E di gravi lesioni alle persone.
AVVISO: indica procedure che, se non debitamente seguite, possono determinare il rischio di danni alle cose E il rischio minimo o nullo di lesioni alle persone.

⚠ AVVERTENZA: leggere TUTTO il manuale di istruzioni e familiarizzare con le caratteristiche del prodotto prima di farlo funzionare. Un uso improprio del prodotto può causare danni al prodotto stesso e alle altre cose e gravi lesioni alle persone. Questo è un prodotto sofisticato per appassionati di modellismo. Deve essere azionato in maniera attenta e responsabile e richiede alcune conoscenze basilari di meccanica. L'uso improprio o irresponsabile di questo prodotto può causare lesioni alle persone e danni al prodotto stesso o alle altre cose. Questo prodotto non deve essere utilizzato dai bambini senza la diretta supervisione di un adulto. Non tentare di smontare, utilizzare componenti incompatibili o modificare il prodotto in nessun caso senza previa approvazione di Horizon Hobby, LLC. Questo manuale contiene le istruzioni per la sicurezza, l'uso e la manutenzione del prodotto. È fondamentale leggere e seguire tutte le istruzioni e le avvertenze del manuale prima di montare, impostare o utilizzare il prodotto, al fine di utilizzarlo correttamente e di evitare di causare danni alle cose o gravi lesioni alle persone.

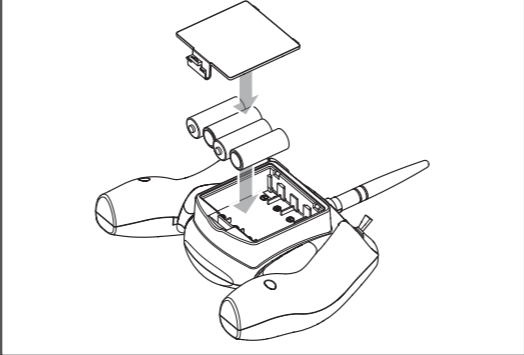
Almeno 14 anni. Non è un giocattolo.

Punti da rispettare per la sicurezza

- Prima del volo accertarsi che le batterie del trasmettitore e del ricevitore siano ben cariche.
- Impostare sul timer un tempo di volo adeguato alla capacità delle batterie in uso.
- Prima di mandare in volo il modello occorre fare una prova della portata fra trasmettitore e ricevitore.
- Verificare che tutte le superfici mobili rispondano correttamente ai comandi del trasmttitore.
- Non usare il modello vicino a spettatori, aree di parcheggio o altre situazioni che possano recare danno a persone o cose.
- Non usare il modello in condizioni meteorologiche avverse.
- Una scarsa visibilità può creare disorientamento e perdita di controllo del modello.
- Non prendere rischi. Se in qualsiasi momento si notano comportamenti del modello strani o pericolosi, bisogna fermarsi finché non si individua e si corregge la causa del problema.

Montare le pile nel trasmettitore

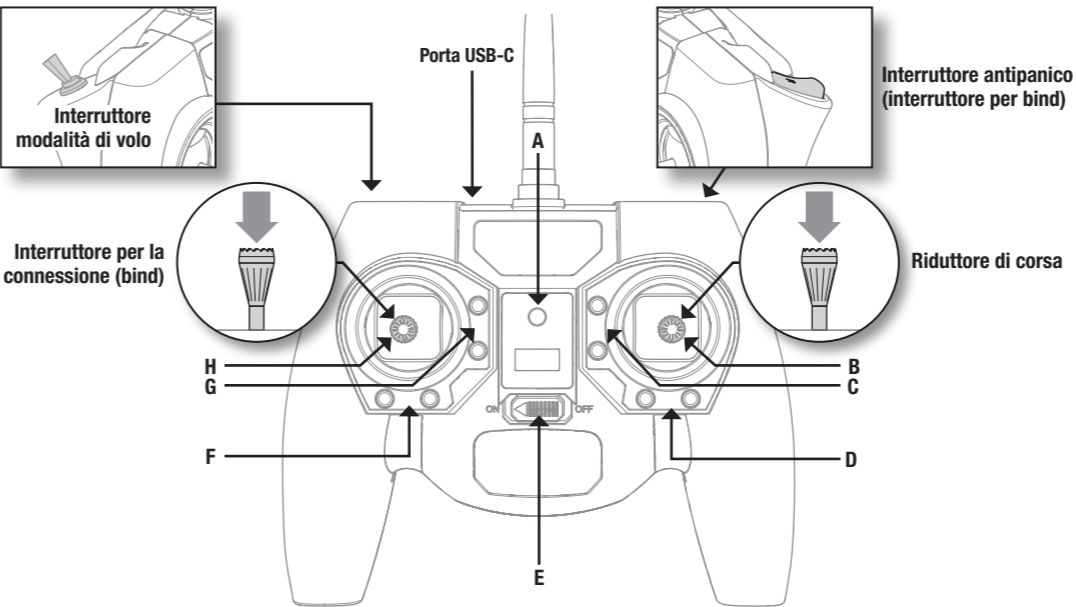
Sostituire le pile se il LED della trasmittente lampeggia e la trasmittente emette dei bip.



* Anche il pulsante antipanco può essere utilizzato per la procedura di binding.

Se si incontrano difficoltà, seguire le istruzioni per il binding e consultare la guida per la risoluzione dei problemi per maggiori informazioni. Se necessario, contattare il servizio assistenza Horizon.

Controllo trasmettitore



Se premuti, i pulsanti dei trim emettono un suono che aumenta o diminuisce di intensità a ogni pressione. La posizione del trim intermedia o neutra è associata a un tono medio nell'intervallo di passo dei suoni. La fine del campo di controllo è segnalata da una serie di beep.

Il trasmettitore MLP6C può essere collegato a un PC con un cavo USB-C standard da utilizzare con il simulatore Real Flight. I nuovi piloti possono imparare a volare con successo esercitandosi su un PC a casa o su un laptop.

	A	B	C	D	E	F	G	H
Modalità 2	LED di alimentazione	<i>Alettone (Sinistra/Destra) Elevatore (Su/Giù)</i>	Trim dell'elevatore	Trim dell'alettone	Interruttore ON/OFF	Trim del timone	trim del throttle	<i>Timone (Sinistra/Destra) Throttle (Su/Giù)</i>

Sceita della modalità di volo e della corsa

Modalità di volo

Cambiare modalità di volo agendo sull'interruttore a tre posizioni. Assicurarsi che l'interruttore sia nella posizione voluta prima di portare in volo l'aeromodello.

Consultare il manuale dell'aeromodello per la descrizione delle modalità di volo disponibili.

Impostazione delle corse della trasmittente

La trasmittente all'accensione passa automaticamente in modalità a corsa massima. Premere e rilasciare lo stick di controllo destro per cambiare corsa.

- Con la corsa minima, modalità indicata dal LED che lampeggia lentamente, le superfici di controllo dell'aeromodello non possono raggiungere la massima escursione.
- Con la corsa massima, modalità indicata dal LED che rimane acceso, le superfici di controllo dell'aeromodello possono raggiungere la massima escursione.

Indicatore LED

Il LED della trasmittente fornisce una descrizione a vista dello stato dei vari parametri. La tabella che segue riporta le informazioni che il LED può indicare.

	Stato	Indicazioni LED/cicalino trasmittente
Tensione della trasmittente		I colori del LED della trasmittente indicano la tensione delle pile della trasmittente per i 4 secondi successivi all'accensione. <p>Verde: più di 5,6 V Giallo: tra 4,8 V e 5,6 V Rosso: meno di 4,8 V. La trasmittente emette dei bip (cambiare le pile)</p>
Tensione dell'aeromodello* (l'aeromodello deve essere connesso e dotato di ricevitore con capacità telemetriche)		I colori del LED della trasmittente indicano la tensione della batteria di bordo del modello. Quando si utilizza il trasmettitore MLP6 con un aeromodello che non trasmette telemetria, il LED sarà blu fisso. <p>Verde: più di 3,7 V per cella Giallo: tra 3,3 V e 3,7 V per cella Rosso: meno di 3,3 V per cella</p>
Corsa comandi		Corsa massima : LED acceso fisso Corsa minima : il LED lampeggia lentamente
Connessione stabilita		Il LED lampeggia in blu lentamente
Nessun segnale		Il LED blu acceso fisso

GARANZIA

Periodo di garanzia

Garanzia esclusiva - Horizon Hobby, LLC (Horizon) garantisce che il prodotto acquistato (il "Prodotto") sarà privo di difetti relativi ai materiali e di eventuali errori di montaggio alla data di acquisto. Il periodo di garanzia è conforme alle disposizioni legali del paese nel quale il prodotto è stato acquistato. Tale periodo di garanzia ammonta a 6 mesi e si estende ad altri 18 mesi dopo tale termine.

Limiti della garanzia

(a) La garanzia è limitata all'acquirente originale (Acquirente) e non è cedibile a terzi. L'acquirente ha il diritto a far riparare o a far sostituire la merce durante il periodo di questa garanzia. La garanzia copre solo quei prodotti acquistati presso un rivenditore autorizzato Horizon. Altre transazioni di terze parti non sono coperte da questa garanzia. La prova di acquisto è necessaria per far valere il diritto di garanzia. Inoltre, Horizon si riserva il diritto di cambiare o modificare i termini di questa garanzia senza alcun preavviso e di escludere tutte le altre garanzie già esistenti.

(b) Horizon non si assume alcuna garanzia per la disponibilità del prodotto per l'adeguatezza o l'idoneità del prodotto a particolari previsti dall'utente. È sola responsabilità dell'acquirente il fatto di verificare se il prodotto è adatto agli scopi da lui previsti.

(c) Richiesta dell'acquirente – spetta soltanto a Horizon, a propria discrezione riparare o sostituire qualsiasi prodotto considerato difettoso e che rientra nei termini di garanzia. Queste sono le uniche rivealse a cui l'acquirente si può appellare, se un prodotto è difettoso.

Horizon si riserva il diritto di controllare qualsiasi componente utilizzato che viene coinvolto nella rivista di garanzia. Le decisioni relative alla sostituzione o alla riparazione sono a discrezione di Horizon. Questa garanzia non copre dei danni superficiali o danni per cause di forza maggiore, uso errato del prodotto, un utilizzo che viola qualsiasi legge, regolamentazione o disposizione applicabile, negligenza, uso ai fini commerciali, o una qualsiasi modifica a qualsiasi parte del prodotto. Questa garanzia non copre danni dovuti ad un'installazione errata, ad un funzionamento errato, ad una manutenzione o un tentativo di riparazione non idonei a cura di soggetti diversi da Horizon. La restituzione del prodotto a cura dell'acquirente, o da un suo rappresentante, deve essere approvata per iscritto dalla Horizon.

Limiti di danno

Horizon non si riterrà responsabile per danni speciali, diretti, indiretti o consequenziali; perdita di profitto o di produzione; perdita commerciale connessa al prodotto, indipendentemente dal fatto che la richiesta si basa su un contratto o sulla garanzia. Inoltre la responsabilità di Horizon non supera mai in nessun caso il prezzo di acquisto del prodotto per il quale si chiede la responsabilità. Horizon non ha alcun controllo sul montaggio, sull'utilizzo o sulla manutenzione del prodotto o di combinazioni di vari prodotti. Quindi Horizon non accetta nessuna responsabilità per danni o lesioni derivanti da tali circostanze. Con l'utilizzo e il montaggio del prodotto l'utente acconsente a tutte le condizioni, limitazioni e riserve di garanzia citate in questa sede. Qualora l'utente non fosse pronto ad assumersi tale responsabilità associata all'uso del prodotto, si suggerisce di restituire il prodotto intatto, mai usato e immediatamente presso il venditore.

Garanzia e Assistenza - Informazioni per i contatti

Stato di acquisto	Horizon Hobby	Telefono/Indirizzo e-mail	Indirizzo
Unione Europea	Horizon Technischer Service Sales: Horizon Hobby GmbH	service@horizonhobby.de +49 (0) 4121 2655 100	Hanskamping 9 D 22885 Barsbüttel, Germany

Informazioni sulla conformità per l'Unione Europea

CE Dichiarazione di conformità UE:
Spektrum MLP6DSM Transmitter (SPMRMLP6C)
Horizon Hobby, LLC dichiara che il presente prodotto è conforme ai requisiti essenziali e ad altre disposizioni rilevanti delle direttiva RED.

Una copia della dichiarazione di conformità UE è disponibile online all'indirizzo:
http://www.horizonhobby.com/content/support-render-compliance.

Banda: 2404-2476 MHz

Max EIRP: 5 dBm

Istruzioni del RAEE per lo smaltimento da parte di utenti dell'Unione Europea



Questo prodotto non deve essere smaltito assieme ai rifiuti domestici. Al contrario, l'utente è responsabile dello smaltimento di tali rifiuti che devono essere portati in un centro di raccolta designato per il riciclaggio di rifiuti elettrici e apparecchiature elettroniche. La raccolta differenziata e il riciclaggio di tali rifiuti provenienti da apparecchiature nel momento dello smaltimento aiuteranno a preservare le risorse naturali e garantiranno un riciclaggio adatto a proteggere il benessere dell'uomo e dell'ambiente. Per maggiori informazioni sui centri di raccolta, contattare il proprio ufficio locale, il servizio di smaltimento rifiuti o il negozio presso il quale è stato acquistato il prodotto.